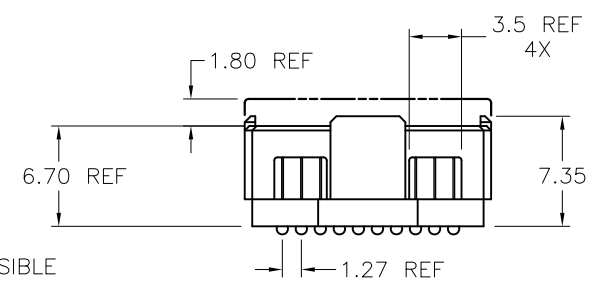
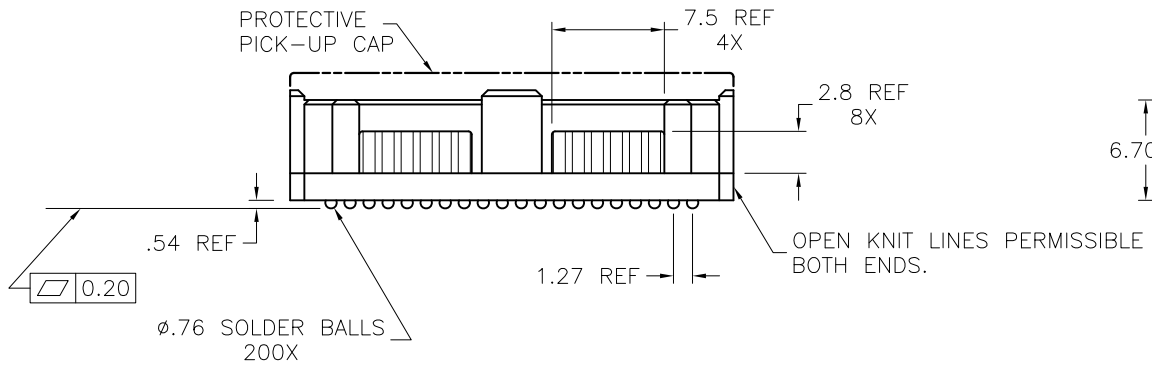
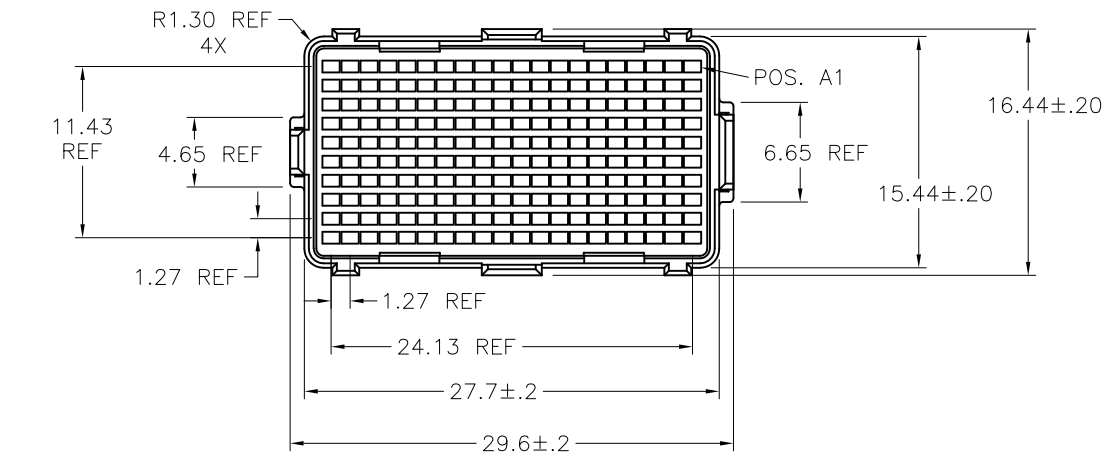


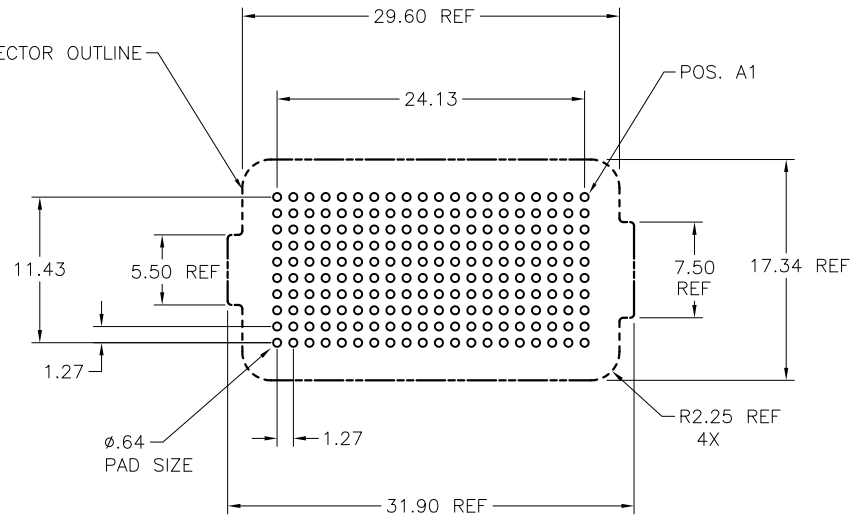
PRODUCT NUMBER
SEE TABLE-SHEET 3



mat'l. code				surface		tolerance		projection		product family	
SEE NOTE 1				ASME Y14.5		ASME Y14.5		MM		MEG-Array	
ltr	ecr no	dr	date	tolerances unless otherwise specified				MM		title	
H	V-012333	SJ	2012-08-06	angles	X ±3		1:1		8.0mm RECEPTACLE ASSEMBLY		
J	V12-0034	SM	2012-09-27	lines	.XX ±10		1:1		10 X 20 = 200 POSITIONS		
K	V12-0049	DCH	2012-12-11	0° ±2'	XXX ±050		1:1		dwg no		
-				dr	D. WAUGHEN 1999-09-07		FCI		sheet 1 of 3 size		
E	VO6-0560	LP	2006-07-14	engr	B. SPINK 1999-09-07		84535		A4		
F	VO7-0641	LP	2007-10-23	chr	B. SPINK 1999-09-07		type		CUSTOMER Drawing		
G	V11-0030	HTB	2011-06-16	appd	B. SPINK 1999-09-07						
sheet	revision	K	K	K							
index	sheet	1	2	3							

PRODUCT NUMBER
SEE TABLE--SHEET 3

STENCIL MATED CONNECTOR OUTLINE
ONTO BOARD.



BOARD PATTERN

NOTES:

- ① MATERIAL:
HOUSING: LCP
CONTACT: COPPER ALLOY

PLATING:
CONTACT: (SEE TABLE ON SHEET 3)
SOLDER BALL: (SEE TABLE ON SHEET 3)
EUTECTIC SnPb OR LEAD FREE
95.5Sn/4Ag/0.5Cu

- 2. OVERALL BOARD-TO-BOARD STACK HEIGHTS
AVAILABLE USING THIS CONNECTOR (84535):

MATED HEIGHT	WITH PLUG P/N
8mm	84516
14mm	84530

- ③ PLATING FOR INDICATED -2XX SERIES PRODUCT NUMBERS MEET THE REQUIREMENTS OF GR-1217-CORE, CENTRAL OFFICE ENVIRONMENT, (25 YEAR LIFE EXPECTANCY). THE CONTACTS ON THESE PRODUCT NUMBERS ALSO HAVE SPECIAL CONTACT GEOMETRY.

- ④ FOR PROPER APPLICATION FOLLOW FCI APPLICATION SPECIFICATION GS-20-033 LEAD FREE SOLDER BALLS WILL NOT SOLDER PROPERLY IN A LEADED SOLDER PROCESS DUE TO A HIGHER REFLOW TEMPERATURE. LEAD FREE PRODUCT IS THEREFORE NOT BACKWARDS COMPATIBLE WITH LEADED OR SOME SOLDERING APPLICATIONS. REFERENCE FCI APPLICATION SPECIFICATION.

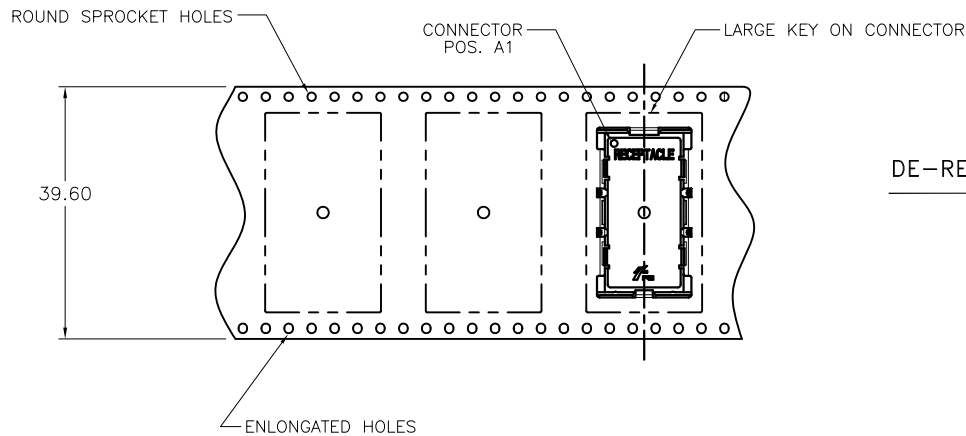
- ⑤ THIS PRODUCT MEETS EUROPEAN UNION DIRECTIVES AND OTHER COUNTRY REGULATIONS AS DESCRIBED IN GS-47-0004 PRODUCT MEETING THIS DIRECTIVE IS IDENTIFIED IN THE LOT CODE NUMBER MARKED ON EACH PART BY HAVING AN "X" IN THE SEVENTH CHARACTER POSITION.

- ⑥ 84535-A01 AND -A01LF ARE CUSTOMER SPECIALS.

- 8. A SYMBOL WILL BE NEXT TO ANY DIMENSION, NEW VIEW OR NOTE WHICH HAS BEEN MODIFIED WITH THE CURRENT DRAWING REVISION

mat'l. code SEE NOTE 1		surface ASME Y14.5		tolerance ASME Y14.5		projection 		product family MEG-Array	
ltr	ecn no	dr	date	tolerances unless otherwise specified		MM		title 8.0mm RECEPTACLE ASSEMBLY 10 X 20 = 200 POSITIONS	
k				angles	XXX ±.10	scale 1:1		dwg no 84535	
				0° ±2'	XXX ±.050	FCI		sheet 2 of 3 size A4	
				dr	D. WAUGHEN 1999-09-07			type CUSTOMER Drawing	
				engr	B. SPINK 1999-09-07				
				chr	B. SPINK 1999-09-07				
				appd	B. SPINK 1999-09-07				
sheet index	revision sheet								

PRODUCT NUMBER	PICK-UP CAP (NATURAL OR BLACK COLOR)	CONTACT PLATING AND THICKNESS	SOLDER BALL	NOTES
84535-001	YES	15µ" (0.38µm) Au	SnPb	
84535-001LF	YES	15µ" (0.38µm) Au	LEAD FREE	5
84535-091	YES	15µ" (0.38µm) GXT	SnPb	
84535-091LF	YES	15µ" (0.38µm) GXT	LEAD FREE	5
84535-101	YES	30µ" (0.76µm) Au	SnPb	
84535-101LF	YES	30µ" (0.76µm) Au	LEAD FREE	5
84535-191	YES	30µ" (0.76µm) GXT	SnPb	
84535-191LF	YES	30µ" (0.76µm) GXT	LEAD FREE	5
84535-201	YES	50µ" (1.27µm) Au SPECIAL	SnPb	3
84535-201LF	YES	50µ" (1.27µm) Au SPECIAL	LEAD FREE	3 and 5
84535-291	YES	50µ" (1.27µm) GXT SPECIAL	SnPb	3
84535-291LF	YES	50µ" (1.27µm) GXT SPECIAL	LEAD FREE	3 and 5
84535-A01	YES	30µ" / 0.76µm SPECIAL	SnPb	6
84535-A01LF	YES	30µ" / 0.76µm SPECIAL	LEAD FREE	5 & 6
84535-301	YES	15µ" (0.38µm) Au SPECIAL	SnPb	6
84535-301LF	YES	15µ" (0.38µm) Au SPECIAL	LEAD FREE	5 & 6
84535-401	YES	30µ" (0.76µm) Au SPECIAL	SnPb	6
84535-401LF	YES	30µ" (0.76µm) Au SPECIAL	LEAD FREE	5 & 6
84535-501	YES	SPECIAL	SnPb	3 & 6
84535-501LF	YES	SPECIAL	LEAD FREE	3, 5 & 6



mat'l. code		surface		tolerance		projection		product family	
SEE NOTE 1		ASME Y14.5		ASME Y14.5				MEG-Array	
ltr	ecm no	dr	date	tolerances unless otherwise specified		MM		title	
K				angles	X ±3	←		8.0mm RECEPTACLE ASSEMBLY	
				0° ±2'	.XX ±10	→		10 X 20 = 200 POSITIONS	
					XXX ±050	scale 1:1		dwg no	
		dr	D. WAUGHEN	1999-09-07				sheet 3 of 3 size	
		engr	B. SPINK	1999-09-07				84535 A4	
		chr	B. SPINK	1999-09-07				type	
		appd	B. SPINK	1999-09-07				CUSTOMER Drawing	
sheet index	revision sheet								

Mouser Electronics

Authorized Distributor

Click to View Pricing, Inventory, Delivery & Lifecycle Information:

[FCI / Amphenol:](#)

[84535-001](#) [84535-201LF](#) [84535-101LF](#) [84535-001LF](#) [84535-A01](#) [84535-101](#) [84535-201](#) [84535-091LF](#) [84535-091](#)
[84535-291LF](#) [84535-191](#) [84535-191LF](#) [84535-291](#)