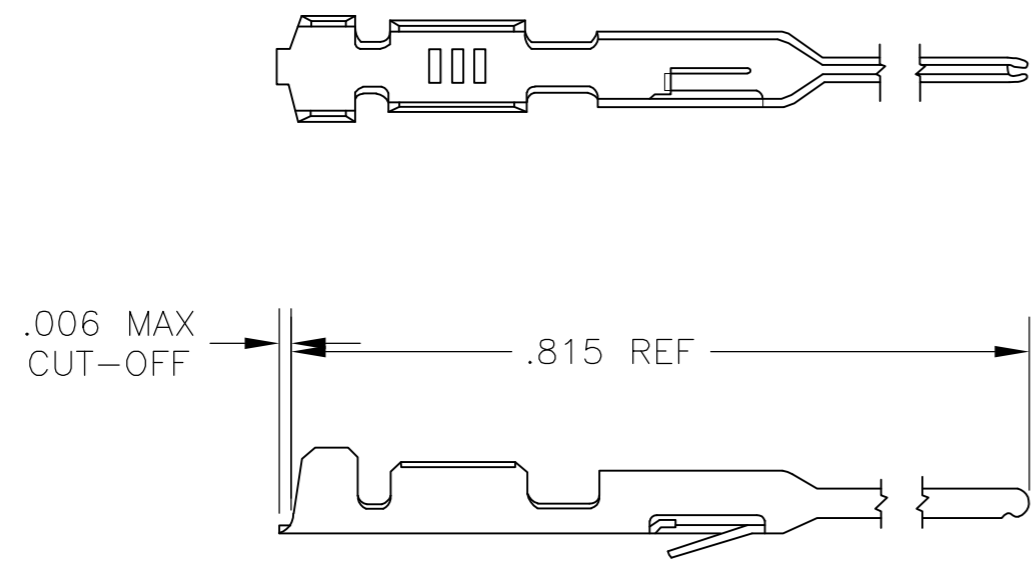


THIS DRAWING IS UNPUBLISHED. RELEASED FOR PUBLICATION
 © COPYRIGHT - By - ALL RIGHTS RESERVED.

LOC		DIST		REVISIONS			
P	LTR	DESCRIPTION		DATE	DWN	APVD	
	B1	REVISED PER ECO-11-004820		11MAR11	RK	HMR	



1. LOOSE PIECE CONTACTS MUST MEET ALL APPLICABLE STRIP SPECIFICATIONS IN ADDITION TO THOSE SHOWN

- △2 GOLD FLASH OVER .000050 NICKEL ENTIRE CONTACT, .000015 GOLD ON CONTACT AREA
- △3 GOLD FLASH OVER .000050 NICKEL ENTIRE CONTACT, .000030 GOLD ON CONTACT AREA
- △4 .000100-.000200 BRIGHT TIN OVER .000030 NICKEL
- △5 .000100-.000200 MATTE TIN OVER .000030 NICKEL

△5	5-102095-4	5-102107-3
△4	102095-4	102107-3
△3	102095-3	102107-2
△2	102095-2	102107-1
FINISH	STRIP PART NO	PART NO

THIS DRAWING IS A CONTROLLED DOCUMENT.		DWN	18 APR 79		
		CHK	24 APR 79		
		APVD	26 APR 79		
		NAME			
DIMENSIONS: INCHES	TOLERANCES UNLESS OTHERWISE SPECIFIED:	PRODUCT SPEC		CONTACT, PIN, MOD IV, LOOSE PIECE	
	0 PLC ± -	APPLICATION SPEC		SIZE	CAGE CODE
	1 PLC ± -			A2	00779
	2 PLC ± -			DRAWING NO	102107
	3 PLC ± -			RESTRICTED TO	
	4 PLC ± -				
	ANGLES ± -			SCALE	SHEET
MATERIAL	FINISH	WEIGHT		4:1	1 of 1
PHOS BRONZE	SEE TABLE			REV	B1
CUSTOMER DRAWING					

Mouser Electronics

Authorized Distributor

Click to View Pricing, Inventory, Delivery & Lifecycle Information:

[TE Connectivity:](#)

[102107-1](#)