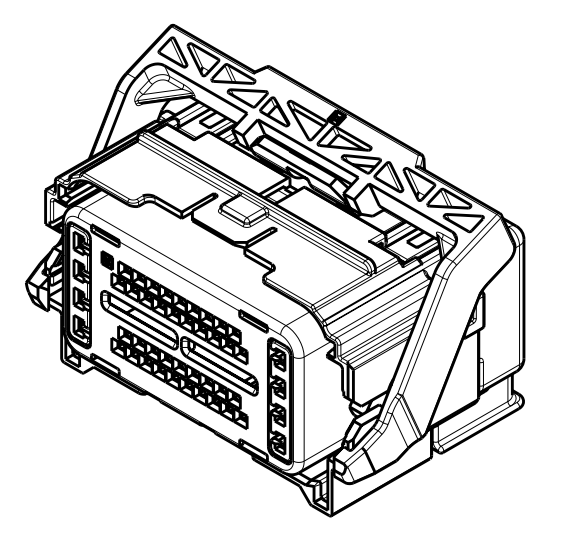
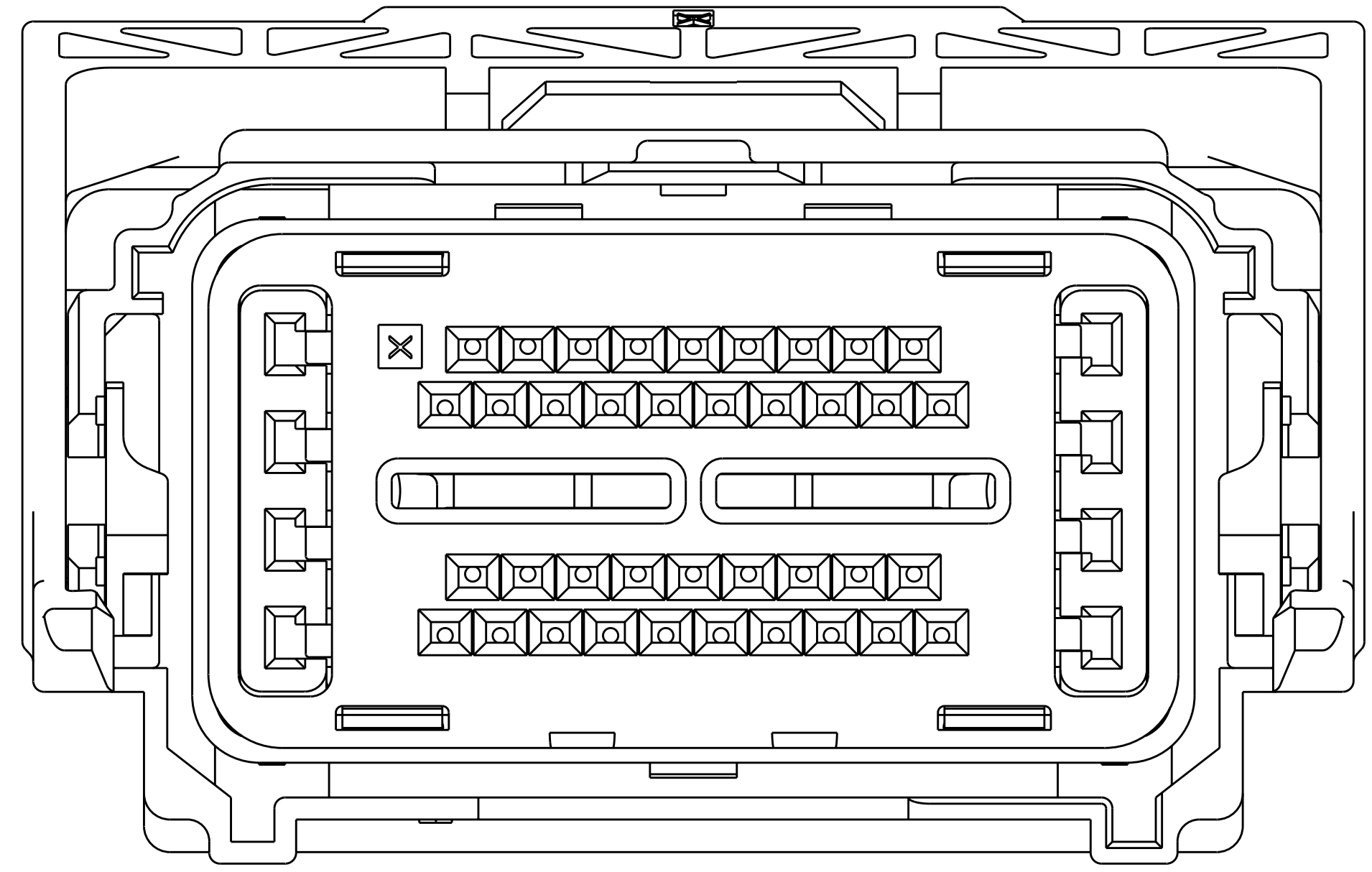
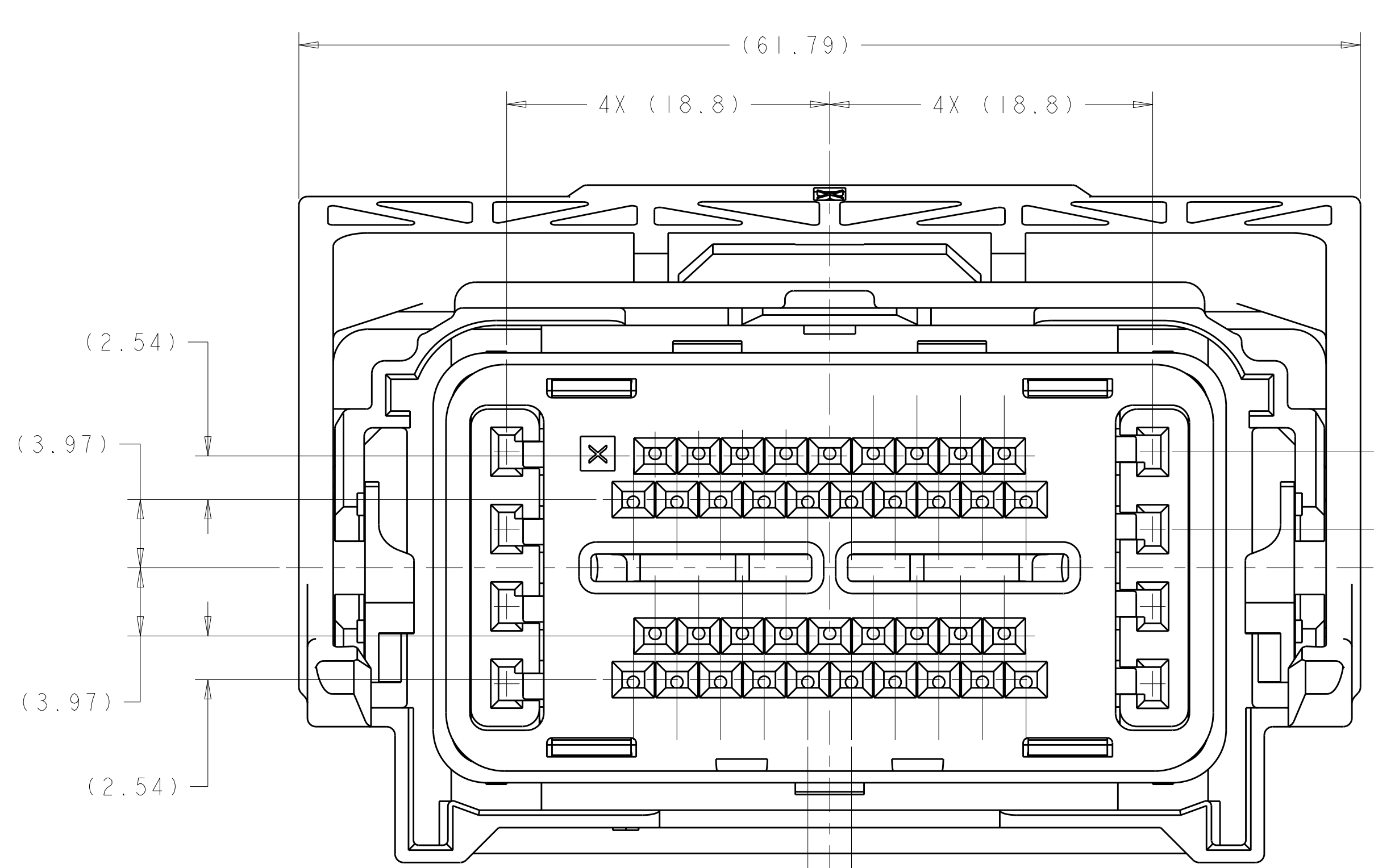
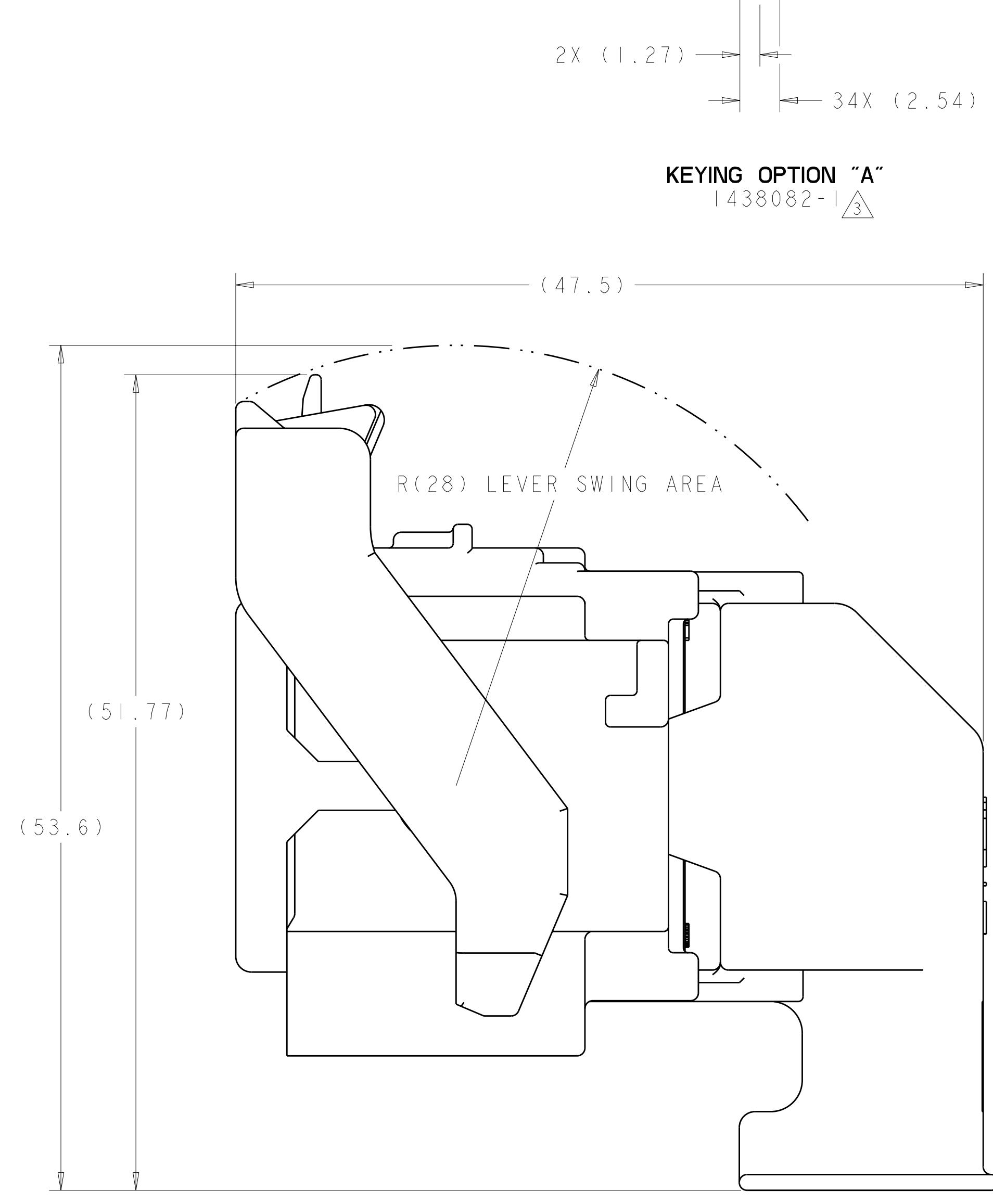


REV	DATE	DESCRIPTION	DATE	BY	APP'D
S10	23APR2009	REVISED PER ECO-09-009758		DLD	DCM
S11	29DEC2009	REVISED PER ECO-09-028550		DLD	DCM

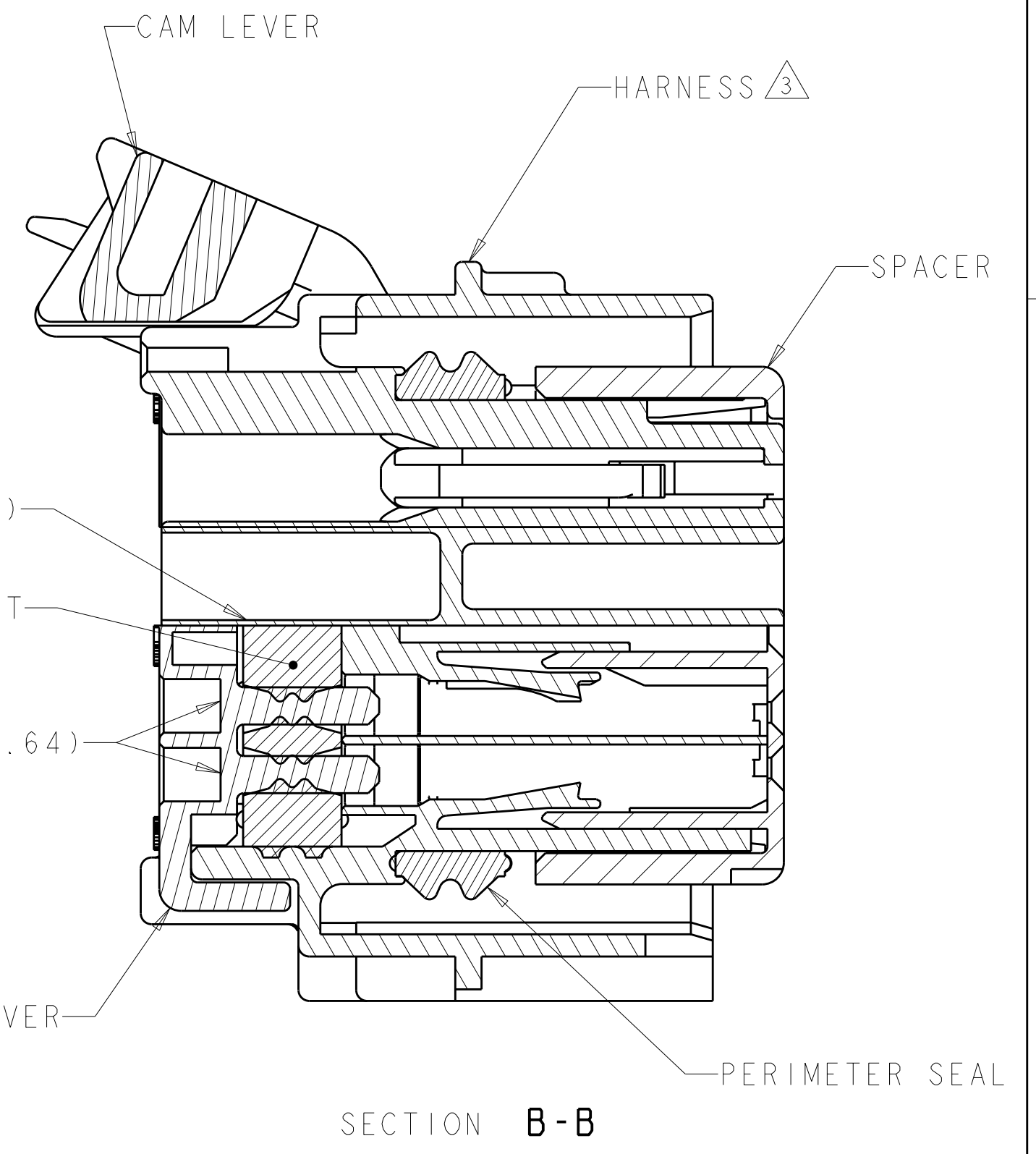
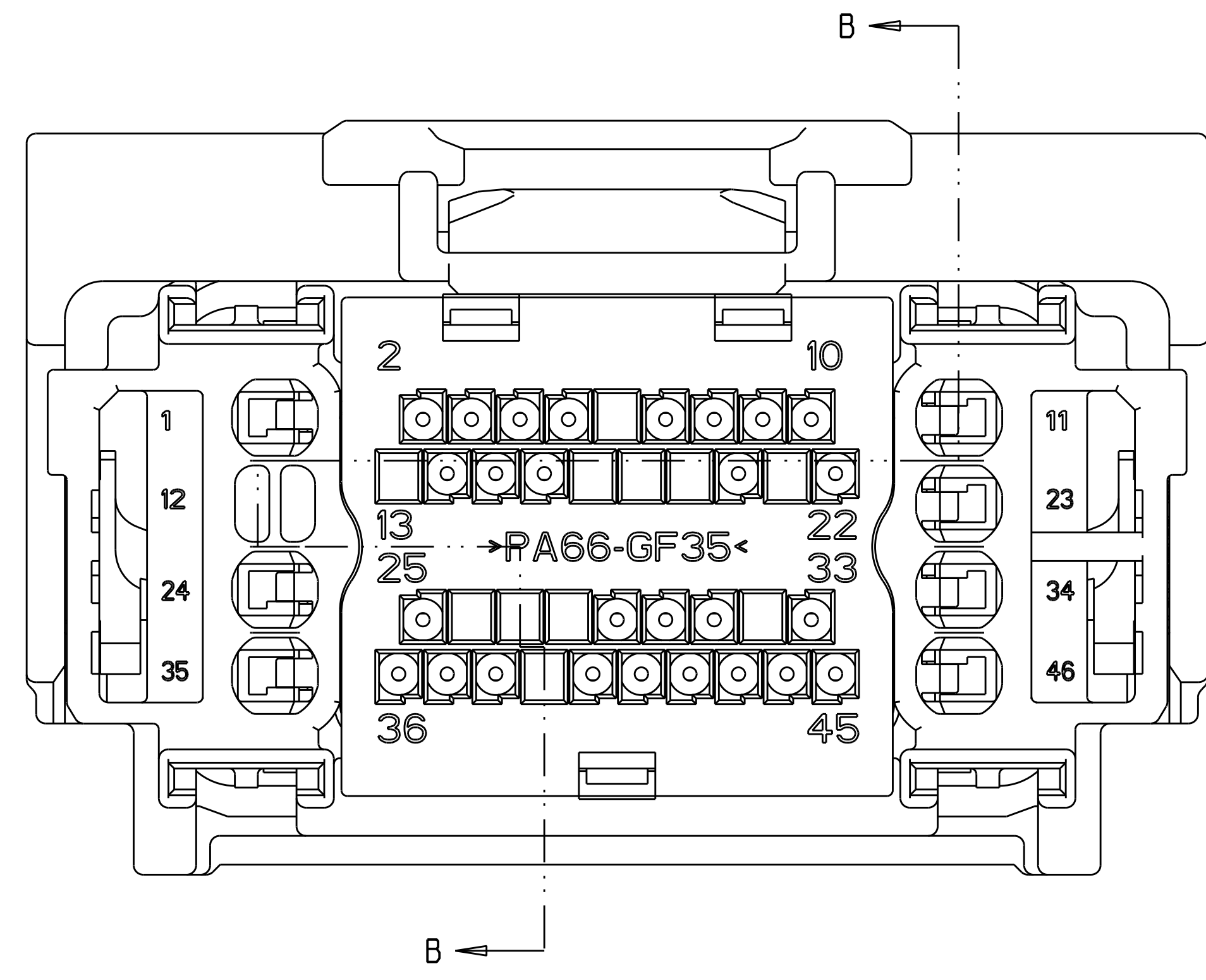


SCALE 1:1

KEYING OPTION "B"  
1438082-2



KEYING OPTION "A"  
1438082-1



SECTION B-B

- △ MATERIAL:  
 HARNESS - 35% GLASS FILLED PA66, BLACK  
 ALT MAT'L: HARNESS - 30% GLASS FILLED sPS, BLACK  
 SPACER - 40% GLASS FILLED PPS+PA66, RED  
 ALT MAT'L: 30% GLASS FILLED sPS, RED  
 ALT MAT'L: 35% GLASS FILLED PA66, RED  
 COVER - 35% GLASS FILLED PA66, BLACK  
 ALT MAT'L: COVER - 30% GLASS FILLED LCP, BLACK  
 CAM LEVER - 35% GLASS FILLED NYLON, GRAY  
 GROMMET - SILICONE, BROWN  
 PERIMETER SEAL - SILICONE, GREEN

2. CAM LEVER AND SPACER ARE SHIPPED IN PRE-LATCH POSITION.  
 △ SEE PINOUT CHART ON SHEETS 2, 3 AND 4 FOR CLOSED CIRCUIT CONFIGURATIONS.  
 △ CAVITIES WITH A NUMERIC SYMBOL INDICATES CLOSED TERMINAL LOCATIONS.  
 BLANK CAVITIES INDICATE OPEN TERMINAL HOLE LOCATIONS.

SHOWN WITH CAM LEVER AND SPACER  
 IN LOADED POSITION WITH  
 OPTIONAL WIRESHIELD

△ SEE PINOUT CHARTS  
 PART NUMBER

DIMENSIONS: mm 		TOLERANCES UNLESS OTHERWISE SPECIFIED: 9 PLC ± 1 PLC ±0.3 3 PLC ±0.10 4 PLC ± ANGLES ±°		DWN R. VESTAL 01AUG2003 CHK D. STRAUSSER 01AUG2003 APVD D. STRAUSSER 01AUG2003 PRODUCT SPEC APPLICATION SPEC WEIGHT CUSTOMER DRAWING		Tyco Electronics Harrisburg, PA 17105-3608 NAME 46 WAY PCM CONNECTOR HARNESS ASSEMBLY SIZE CAGE CODE DRAWING NO A 00779 C=1438082 RESTRICTED TO	
MATERIAL SEE TABLE		FINISH SEE TABLE		SCALE 4:1		SHEET 1 OF 5	




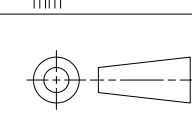


THIS DRAWING IS UNPUBLISHED. RELEASED FOR PUBLICATION 20  
 © COPYRIGHT 20 BY TYCO ELECTRONICS CORPORATION. ALL RIGHTS RESERVED.

LOC	DIST	REV	DATE	BY	APPD
FX	00				

TERMINAL HOLE POSITION		PART NUMBER	FORD PART NUMBER								
44	43 42 41	38	26	7 5	9-1438082-9	2LIT-14A464-TD-044					
44		38	26	7	9-1438082-8	2LIT-14A464-TD-043					
	40 39 38	35 34		24 21 18 16 15 13 12	9 8 7 5	9-1438082-2	2LIT-14A464-TD-042				
46	43 42	40	35 34	31 28	24 21 19	12 9	5 4	1	8-1438082-2	2LIT-14A464-TD-041	
		40 39 38	35 34		24 21 18 16 15 13 12		8 7 5		8-1438082-1	2LIT-14A464-TD-040	
			35		27		9	6 3		7-1438082-7	2LIT-14A464-TD-039
	43 42	39 38 37		32	28	19 18 17 16	10 9			7-1438082-6	2LIT-14A464-TD-038
	43 42	40	35		28	24 21 19	12	5 4	1	7-1438082-2	2LIT-14A464-TD-037
	43 42		35		24 21 19	12		5 4	1	7-1438082-1	2LIT-14A464-TD-036
	43 42	39 38 37		28		19 18 17 16	13 10 9			7-1438082-0	2LIT-14A464-TD-035
	43 42	39 38 37		28		19 18 17 16	10 9			6-1438082-9	2LIT-14A464-TD-034
44	42	38			26			7		6-1438082-8	2LIT-14A464-TD-033
	43 42	39 38 37		32	28	19 18 17 16	13 10 9			6-1438082-7	2LIT-14A464-TD-032
44	42	38			27 26	22				6-1438082-5	2LIT-14A464-TD-031
44	42	38			26					6-1438082-4	2LIT-14A464-TD-030
	43 42	38 37		32		19 18 17 16	10 9			6-1438082-0	2LIT-14A464-TD-029
	43 42	39 38 37		32		19 18 17 16	13 10 9			5-1438082-9	2LIT-14A464-TD-028
	43 42	38 37		32		19 18 17 16	10 9			5-1438082-8	2LIT-14A464-TD-027
	43 42	39 38		28		19 18 17 16	10 9			5-1438082-7	2LIT-14A464-TD-026
46 45	43		34 33 32 31	27		22 21 20 19 18	16 15 14 13 12	10 9 8 7	1	5-1438082-4	2LIT-14A464-TD-025
	44	42	38						3	5-1438082-3	2LIT-14A464-TD-024
		40 39	35 34			21 18 16 15 13	9 8 7			5-1438082-1	2LIT-14A464-TD-023
46 45	44 43	41 40	34 33 32 31	29 27		22 21 20 19 18	16 15 14 13 12	10 9 8 7	1	4-1438082-6	2LIT-14A464-TD-022
	44	42	38		30 27 26	22				4-1438082-5	2LIT-14A464-TD-021
	44	42	38		30				3	4-1438082-4	2LIT-14A464-TD-020
	44	42	38		30	26				4-1438082-3	2LIT-14A464-TD-019
46 45	43		34 33 32 31	27		21 20 19 18	16 15 14 13 12	10 9 8 7	1	4-1438082-1	2LIT-14A464-TD-018
		40 39	35 34			21 18 16 15 13	9 8 7 5			3-1438082-9	2LIT-14A464-TD-017
	44	42	38 37		30 27 26	22		9		2-1438082-8	2LIT-14A464-TD-016
	44	42	38 37		30			9		2-1438082-7	2LIT-14A464-TD-015
	44	42	38 37		30	26		9		2-1438082-6	2LIT-14A464-TD-014
	43 42	39 38 37		33 32	28 27 26	22 21 20 19 18 17 16	13 10			2-1438082-4	2LIT-14A464-TD-013
46 45	44 43		34 33 32 31	27		22 21 20 19 18	15 14 13 12	10 9 8 7	1	2-1438082-1	2LIT-14A464-TD-012
46 45	44 43		34 33 32 31	27		22 21 20 19 18	16 15 14 13 12	10 9 8 7	1	2-1438082-0	2LIT-14A464-TD-011
	43 42	39 38 37		28		19 18 17 16	10			1-1438082-7	2LIT-14A464-TD-010
	43 42	39 38 37		32	28 27 26	21 20 19 18 17 16	13 10			1-1438082-6	2LIT-14A464-TD-009
	43 42	39 38 37		32	28	19 18 17 16	13 10			1-1438082-5	2LIT-14A464-TD-008
	43 42	38 37		32		19 18 17 16	10			1-1438082-4	2LIT-14A464-TD-007
46 45	44 43		34 33 32 31	27		22 21 20 19 18	15 14 13 12	10 9 8 7	1	1-1438082-3	2LIT-14A464-TD-006
46 45	44 43		34 33 32 31	27		22 21 20 19 18	16 15 14 13 12	10 9 8 7	1	1-1438082-2	2LIT-14A464-TD-005
	43 42	39 38		28		18 17 16	10			1438082-9	2LIT-14A464-TD-004
			32							1438082-8	2LIT-14A464-TD-003
			34 33 32 31	27		22 21 20 19 18	16 15 14 13 12	10 9 8 7	1	1438082-7	2LIT-14A464-TD-002
			34 33 32 31	27		22 21 20 19 18	15 14 13 12	10 9 8 7	1	1-1438082-0	2LIT-14A464-TD-001
										1438082-2	2LIT-14A464-TD-000

PIN-OUT CHART KEYING OPTION "B" 

<small>THIS DRAWING IS UNPUBLISHED. RELEASED FOR PUBLICATION 20. © COPYRIGHT 20 BY TYCO ELECTRONICS CORPORATION. ALL RIGHTS RESERVED.</small>		DWN R. VESTAL 01AUG2003 CHK D. STRAUSSER 01AUG2003 APVD D. STRAUSSER 01AUG2003	 Tyco Electronics Harrisburg, PA 17105-3608
DIMENSIONS: mm 	TOLERANCES UNLESS OTHERWISE SPECIFIED: 9 PLC ±.3 1 PLC ±0.10 5 PLC ±.1 4 PLC ±.1 ANGLES ±.5° FINISH -	NAME PRODUCT SPEC APPLICATION SPEC WEIGHT CUSTOMER DRAWING	46 WAY PCM CONNECTOR HARNESS ASSEMBLY SIZE CAGE CODE DRAWING NO A 00779 C=1438082 SCALE 4:1 SHEET 4 OF 5



# Mouser Electronics

Authorized Distributor

Click to View Pricing, Inventory, Delivery & Lifecycle Information:

[TE Connectivity:](#)

[4-1438082-6](#)