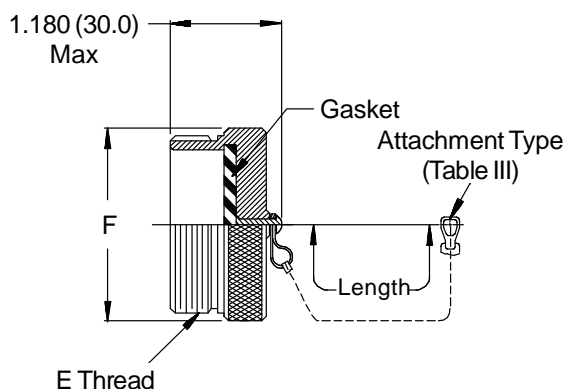
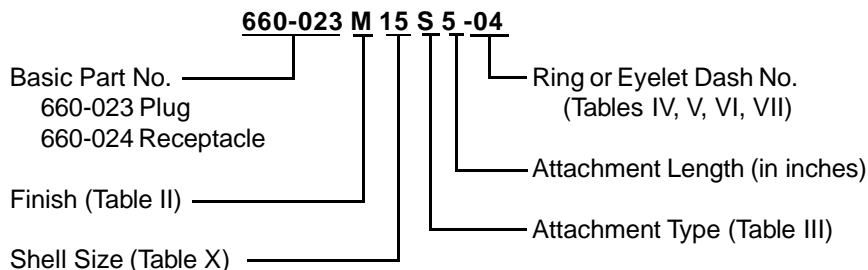
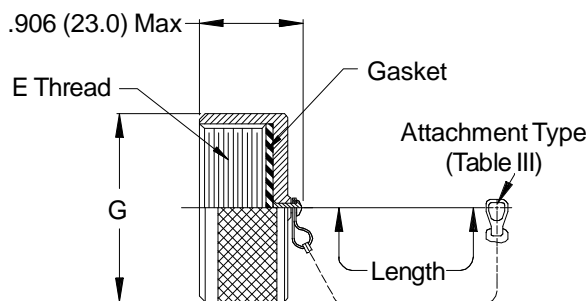


MIL-C-38999
Series III

660-023 Plug Cover

660-024 Receptacle Cover
TABLE X: SHELL SIZE DIMENSIONS

Shell Size	Shell Size Code Ref.	E Thread	F Max	G Max
09	A	.6250-0.1P-0.3L-TS	.906 (23.0)	.906 (23.0)
11	B	.7500-0.1P-0.3L-TS	1.024 (26.0)	1.102 (28.0)
13	C	.8750-0.1P-0.3L-TS	1.220 (31.0)	1.220 (31.0)
15	D	1.0000-0.1P-0.3L-TS	1.300 (33.0)	1.260 (32.0)
17	E	1.1875-0.1P-0.3L-TS	1.457 (37.0)	1.457 (37.0)
19	F	1.2500-0.1P-0.3L-TS	1.575 (40.0)	1.535 (39.0)
21	G	1.3750-0.1P-0.3L-TS	1.732 (44.0)	1.654 (42.0)
23	H	1.5000-0.1P-0.3L-TS	1.811 (46.0)	1.772 (45.0)
25	J	1.6250-0.1P-0.3L-TS	1.969 (50.0)	1.929 (49.0)

See inside back cover fold-out or page 14 for Table II.

Metric dimensions (mm) are indicated in parentheses.

660-023 (Plug) - 660-024 (Receptacle)
Protective Covers
MIL-C-38999 Series III Threaded



66 & 78

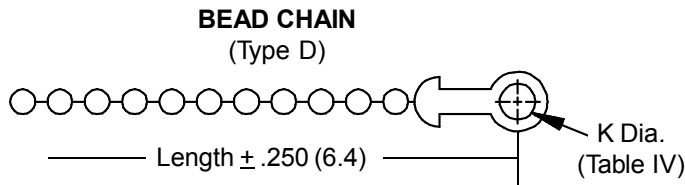
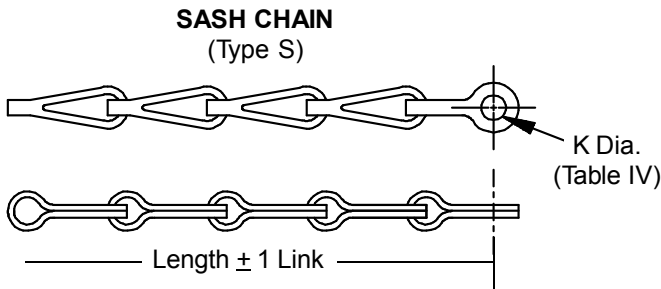
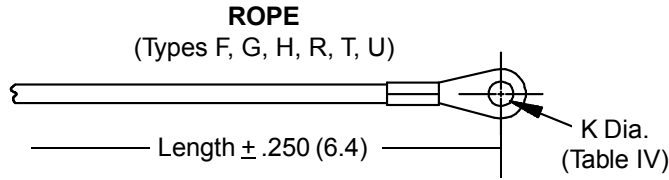


TABLE III: ATTACHMENT

Sym	Attachment Type
D	Bead Chain, Cres., Passivate
F	Wire Rope, Nylon Jacket
G	Nylon Rope
H	Wire Rope, Fluoropolymer Jacket
N	No Attachment
R	Wire Rope, PVC Jacket
S	#8 Sash Chain, Cres., Passivate
T	Wire Rope, No Jacket
U	Wire Rope, Polyurethane Jacket with Terminal

TABLE IV: EYELET

Dash No.	K DIA
01	.140 (3.6)
02	.182 (4.6)
03	.191 (4.9)
04	.197 (5.0)
05	.167 (4.2)
06	.125 (3.2)
07	.218 (5.5)
09	.156 (4.0)
00	No Eyelet

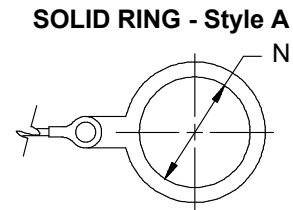
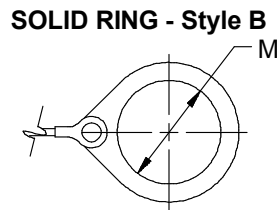
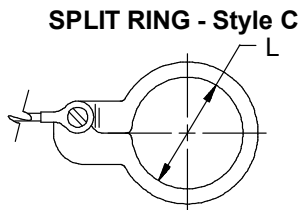


TABLE V: SPLIT RING STYLE C

Dash No.	L Dia. ±.015 (0.4)	Dash No.	L Dia. ±.015 (0.4)
50	.425 (10.8)	74	1.625 (41.3)
52	.485 (12.3)	76	1.750 (44.5)
54	.640 (16.3)	78	1.875 (47.6)
56	.750 (19.1)	80	1.980 (50.3)
58	.890 (22.6)	82	2.060 (52.3)
60	1.015 (25.8)	84	2.235 (56.8)
62	1.095 (27.8)	86	2.310 (58.7)
64	1.130 (28.7)	88	2.475 (62.9)
66	1.250 (31.8)	90	2.655 (67.4)
68	1.350 (34.3)	92	2.810 (71.4)
70	1.390 (35.3)	94	3.045 (77.3)
72	1.485 (37.7)		

TABLE VI: SOLID RING STYLE B

Dash No.	M Dia. ±.015 (0.4)	Dash No.	M Dia. ±.015 (0.4)
08	.468 (11.9)	24	1.484 (37.7)
10	.593 (15.1)	25	1.577 (40.1)
12	.718 (18.2)	27	1.640 (41.7)
13	.765 (19.4)	28	1.687 (42.8)
14	.844 (21.4)	29	1.765 (44.8)
15	.890 (22.6)	30	1.890 (48.0)
16	.968 (24.6)	31	1.953 (49.6)
17	1.015 (25.8)	32	1.968 (50.0)
18	1.093 (27.8)	33	2.077 (52.8)
19	1.140 (29.0)	35	2.140 (54.4)
20	1.203 (30.6)	36	2.187 (55.5)
21	1.265 (32.1)	40	2.406 (61.1)
22	1.343 (34.1)	44	2.656 (67.5)
23	1.453 (36.9)	48	3.031 (77.0)
		118	.310 (7.9)

TABLE VII: SOLID RING STYLE A

Dash No.	N Dia. ±.015 (0.4)	Dash No.	N Dia. ±.015 (0.4)
095	.312 (7.9)	109	1.266 (32.2)
100	.391 (9.9)	209	1.312 (33.3)
101	.516 (13.1)	110	1.438 (36.5)
102	.583 (14.8)	210	1.438 (36.5)
103	.641 (16.3)	111	1.521 (38.6)
104	.708 (18.0)	211	1.536 (39.0)
105	.766 (19.5)	112	1.641 (41.7)
205	.788 (20.0)	113	1.766 (44.9)
106	.896 (22.2)	213	1.812 (46.0)
206	.907 (23.0)	114	1.891 (48.0)
107	1.016 (25.8)	214	1.938 (49.2)
207	1.025 (26.0)	115	2.078 (52.8)
108	1.141 (29.0)	116	2.406 (61.1)
308	1.188 (30.2)	117	2.510 (63.8)
208	1.203 (30.6)		

Mouser Electronics

Authorized Distributor

Click to View Pricing, Inventory, Delivery & Lifecycle Information:

Glenair:

[660-024B15G3-01-372](#) [660-024M09S6-01](#) [660-024M19S6-01](#) [660-008NF10G6-01](#) [660-024B15G3-06](#) [660-024B17G3-06](#) [660-024B25N](#) [660-024NF15S5-15](#) [660-024NF17H3-01](#) [660-024N15S5-01](#) [660-024Z119S3-02](#) [660-024NF17G5-02](#) [660-024NF21S4-70](#) [660-024Z113S3-17](#) [660-024Z115N](#) [660-024NF25G6-113](#) [660-024NF15G6-108](#) [660-024NF11G6-106](#) [660-009B10N-102](#) [660-009B12N-102](#) [660-009B14N-102](#) [660-024B09F5-02](#) [660-024B15H3-107](#) [660-024B17H3-01](#) [660-024C21S5-01](#) [660-024M09S6-05](#) [660-024M11S6-01](#) [660-024M11S6-05](#) [660-024M15R5-09](#) [660-024M15S3-308](#) [660-024M15S6-01](#) [660-024M17N](#) [660-024M17S6-01](#) [660-024M17S6-05](#) [660-024M19N](#) [660-024M25N](#) [660-024M25S3-308](#) [660-024M25S6-05](#) [660-024N09S2-01](#) [660-024N09S5-104](#) [660-024N17S5-02](#) [660-024N25S5-02](#) [660-024NF09F5-104](#) [660-024NF09R5-04](#) [660-024NF11F3-01](#) [660-024NF11H5-106-81](#) [660-024NF11S5-14-372](#) [660-024NF13H5-107-81](#) [660-024NF13N](#) [660-024NF15H5-308-81](#) [660-024NF15N](#) [660-024NF15R5-04](#) [660-024NF17H5-109-81](#) [660-024NF17N](#) [660-024NF19R6-04](#) [660-024NF19S5-111](#) [660-024NF21H5-211-81](#) [660-024NF21N](#) [660-024NF21R5-111](#) [660-024NF23H5-02](#) [660-024NF23N](#) [660-024R13N](#) [660-024R19N](#) [660-024Z111N](#) [660-024Z117N](#) [660-024ZM19H5-01](#) [660-024N11S3-01](#) [660-024ZN15H5-06](#) [660-008NF18G9-00](#) [660-024N15S6-04](#) [660-024B25H4-02](#) [660-024M13G3-01](#) [660-024ZNU15H5-05](#) [660-008NF12G7-05](#) [660-024M21H5-111](#) [660-024NF11H5-54](#) [660-024NF09N](#) [660-024NF25S5-30-372](#) [660-024M25S6-64](#) [660-024NF11H3-14](#) [660-008C20F6-66](#) [660-008M10S5-01](#) [660-008NF12H8-02](#) [660-009C10S3-01](#) [660-009M10S5-01](#) [660-024AB25G4-113](#) [660-024B09G3-01-372](#) [660-024B09G4-104](#) [660-024B09N](#) [660-024B09R8-06-102](#) [660-024B11F3-01](#) [660-024B11H4-01](#) [660-024B11N](#) [660-024B11R5-10](#) [660-024B13H12-05](#) [660-024B13R5-01](#) [660-024B13S6-01](#) [660-024B15F4-05](#) [660-024B15H3-01](#) [660-024B15N](#)