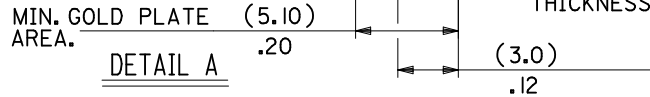


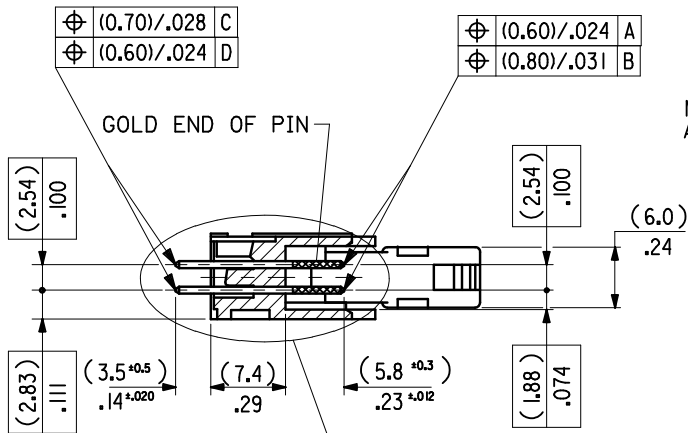
NOTES:

- 1: FOR MATERIAL SPECIFICATION SEE NOTE 1. ON SHEET 2.
- 2: FOR RECOMMENDED P.C.B. HOLE PATTERN, PART No's AND UNSTATED DIMENSIONS SEE SHEET 2.
- 3: PRODUCT SPEC.No.:PS-99020-0015.
- 4: THIS RIB IS NOT PRESENT ON 10 & 14 CKT PARTS.

MIN. TIN PLATE AREA.
 (3.0)
 .12



DIMENSIONS FOR SELECTIVE PLATING'S, SCALE 4:1

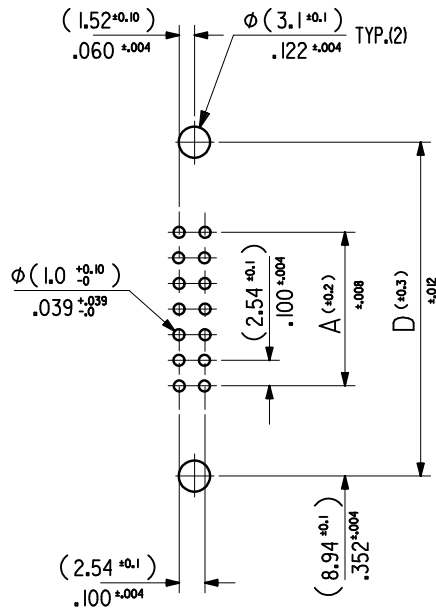


SECTION F-F

SEE DETAIL A.

REMOVED REFS TO COLOR STAMP EC NO: E2011-0063 DRWN: JOCONNOR 2010/08/12 CHKD: 2010/08/25 APPR: EFOLAN 2010/08/30	QUALITY SYMBOLS	GENERAL TOLERANCES (UNLESS SPECIFIED)		DIMENSION STYLE	SCALE	DESIGN UNITS	THIRD ANGLE PROJECTION	
	▽=0 ◻=0	mm	INCH	MM/IN	2:1	METRIC		
		4 PLACES ± --- ± ---	3 PLACES ± --- ± .008	2 PLACES ± 0.20 ± .008	1 PLACE ± 0.20 ± ---	DRAWN BY POB DATE 1990/08/03		
		ANGULAR ± 2 °		CHECKED BY JDENNEHY DATE 2004/11/24		TITLED QF50 SRD HDR VT W/ELV		
	DRAFT WHERE APPLICABLE MUST REMAIN WITHIN DIMENSIONS		APPROVED BY JDENNEHY DATE 2004/11/24		MATERIAL NO. SEE SHEET 2			
			MATERIAL NO. SEE SHEET 2		DOCUMENT NO. SDA-90663E			
			SIZE A3		THIS DRAWING CONTAINS INFORMATION THAT IS PROPRIETARY TO MOLEX INCORPORATED AND SHOULD NOT BE USED WITHOUT WRITTEN PERMISSION			
					SHEET NO. 1 OF 9			

(78.74)/3.100	(86.34)/3.400	(90.52)/3.564	(96.62)/3.804	(100.74)/3.966	90663-1641	90663-1642	90663-1643		64
(73.66)/2.900	(81.26)/3.200	(85.44)/3.364	(91.54)/3.604	(95.66)/3.766	↑ -1601	↑ -1602	↑ -1603		60
(60.96)/2.400	(68.56)/2.700	(72.74)/2.864	(78.84)/3.104	(82.96)/3.266	-1501	-1502	-1503	90663-1509	50
(48.26)/1.900	(55.86)/2.200	(60.04)/2.364	(66.14)/2.604	(70.26)/2.766	-1401	-1402	-1403	↑ -1409	40
(40.64)/1.600	(48.24)/1.900	(52.42)/2.064	(58.52)/2.304	(62.64)/2.466	-1341	-1342	-1343	-1349	34
(35.56)/1.400	(43.16)/1.700	(47.34)/1.864	(53.44)/2.104	(57.56)/2.266	-1301	-1302	-1303	-1309	30
(30.48)/1.200	(38.08)/1.500	(42.26)/1.664	(48.36)/1.904	(52.48)/2.066	-1261	-1262	-1263	-1269	26
(22.86)/.900	(30.46)/1.200	(34.64)/1.364	(40.74)/1.604	(44.86)/1.766	-1201	-1202	-1203	-1209	20
(17.78)/.700	(25.38)/1.000	(29.56)/1.164	(35.66)/1.404	(39.78)/1.566	-1161	-1162	-1163	-1169	16
(15.24)/.600	(22.84)/.900	(27.02)/1.064	(33.12)/1.304	(37.24)/1.466	↓ -1141	↓ -1142	↓ -1143	↓ -1149	14
(10.16)/.400	(17.76)/.700	(21.94)/.864	(28.04)/1.104	(32.16)/1.266	90663-1101	90663-1102	90663-1103	90663-1109	10
A	B	C	D	E	ENG. NO. GSI PLATING	ENG. NO. GS2 PLATING	ENG. NO. GS3 PLATING	ENG. NO. PRE TIN	NO.OF CKTS.



RECOMMENDED P.C.B.HOLE PATTERN.

NOTES

1. MATERIAL

HEADER : GLASS FILLED POLYESTER (UL 94V0), COLOUR - BLACK.
 PINS : BRASS SIZE $\square(0.635)/.025$.
 LEVER : GLASS FILLED POLYESTER (UL 94V0), COLOUR - BLACK.

2. PLATING OPTIONS.

- 90663-1**1, (1um)/.039uin MIN. NICKEL UNDERPLATE. CONTACT AREA GS1 PLATING (0.1um)/.004uin MIN. GOLD. SOLDER AREA (3um)/.118uin MIN. TIN.
- 90663-1**2, (1um)/.039uin MIN. NICKEL UNDERPLATE. CONTACT AREA GS2 PLATING (0.76um)/.030uin MIN. GOLD. SOLDER AREA (3um)/.118uin MIN. TIN.
- 90663-1**3, (1um)/.039uin MIN. NICKEL UNDERPLATE. CONTACT AREA GS3 PLATING (0.25um)/.010uin MIN. GOLD. SOLDER AREA (3um)/.118uin MIN. TIN.
- 90663-1**9, (0.5-1um)/.020-.040uin NICKEL UNDER (1.0-3.0um)/.039-.118uin TIN. PRE-TIN

3. RECOMMENDED PCB THICKNESS 1.6mm

REMOVED REFS TO COLOR STAMP EC NO: E2011-0063 DRWN: JOCONNOR 2010/08/12 CHKD: 2010/08/25 APPR: EFOLAN 2010/08/30	QUALITY SYMBOLS ▽=0 ◻=0	GENERAL TOLERANCES (UNLESS SPECIFIED)		DIMENSION STYLE		SCALE	DESIGN UNITS	THIRD ANGLE PROJECTION			
				MM/IN		2:1	METRIC				
				mm	INCH	DRAWN BY	DATE	TITLE			
				4 PLACES ± ---	± ---	POB	1990/08/03	QF50 SRD HDR VT W/ELV			
		3 PLACES ± ---	± .008	CHECKED BY	DATE	MATERIAL NO.					
		2 PLACES ± 0.20	± .008	JDENNEHY	2004/11/24	DOCUMENT NO.					
		1 PLACE ± 0.20	± ---	APPROVED BY	DATE	SHEET NO.					
		ANGULAR ± 2 °		JDENNEHY	2004/11/24	2 OF 9					
		DRAFT WHERE APPLICABLE MUST REMAIN WITHIN DIMENSIONS		SEE CHART		SDA-90663E		MOLEX INCORPORATED			
				SIZE	THIS DRAWING CONTAINS INFORMATION THAT IS PROPRIETARY TO MOLEX INCORPORATED AND SHOULD NOT BE USED WITHOUT WRITTEN PERMISSION						
				A3							