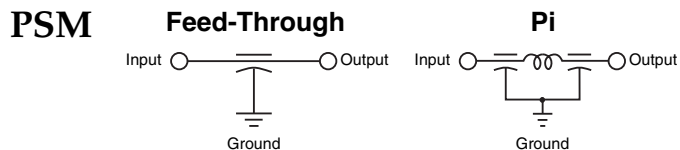


Surface Mount Low Pass Filters
PSM Series



Voltage Rating DC 200 VDC @ -55°C to +125°C

DWV 700 VDC

Current

Rating 20 Amps (Feed-through) max.
10 Amps (Pi) max.

Insulation

Resistance 1.0 GΩ @ 25°C

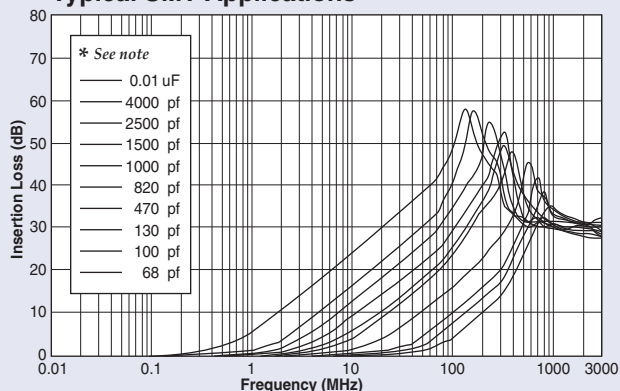
Dissipation

Factor 4.0% maximum

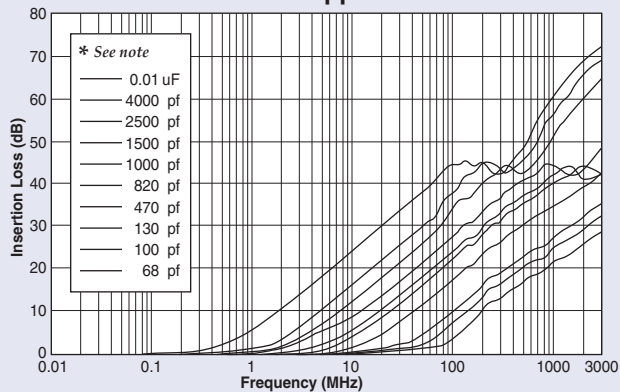
D.C.R. Max. .0005Ω, typ. .0002Ω

Feed-Through Insertion Loss

Typical SMT Applications

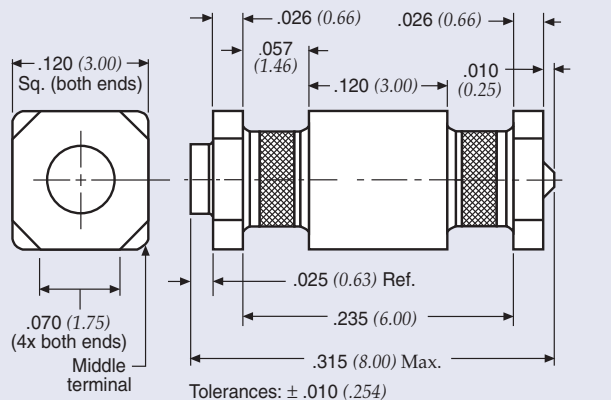


Shielded or Partition Applications



* Capacitance values for insertion loss curves are displayed left to right in the order shown.

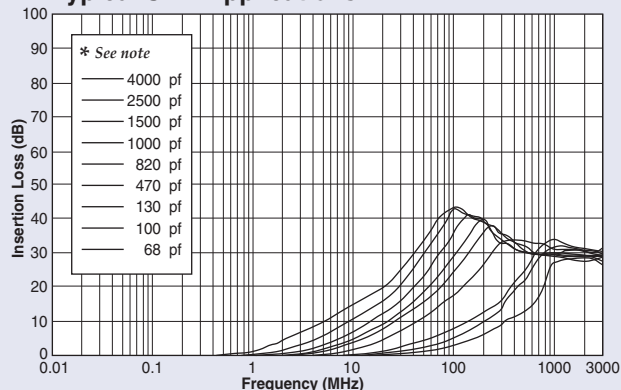
PSM



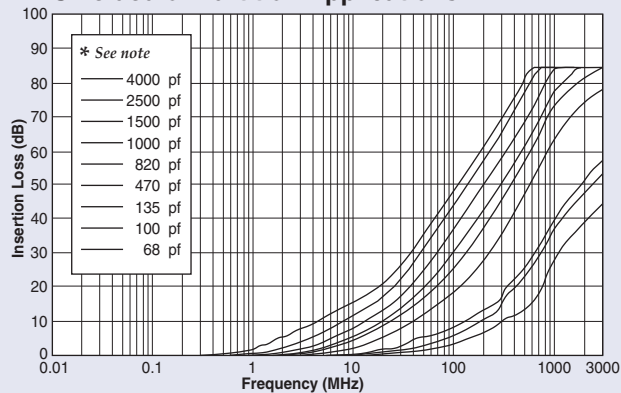
Dimensions in inches (mm)

Pi Insertion Loss

Typical SMT Applications



Shielded or Partition Applications



Surface Mount Low Pass Filters PSM Series

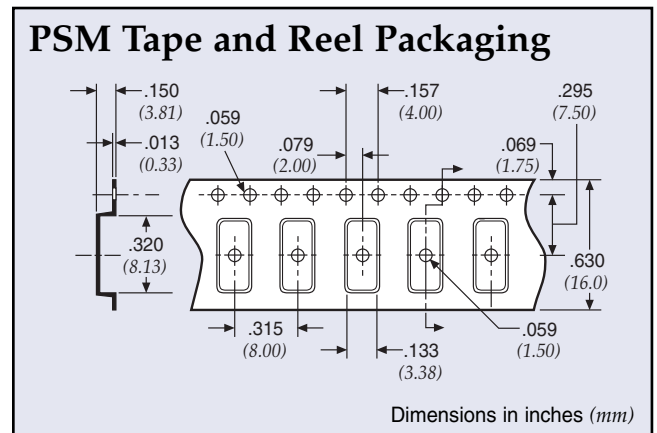
PSM Ordering Information

Example: **PSM4-402Z-20T0**

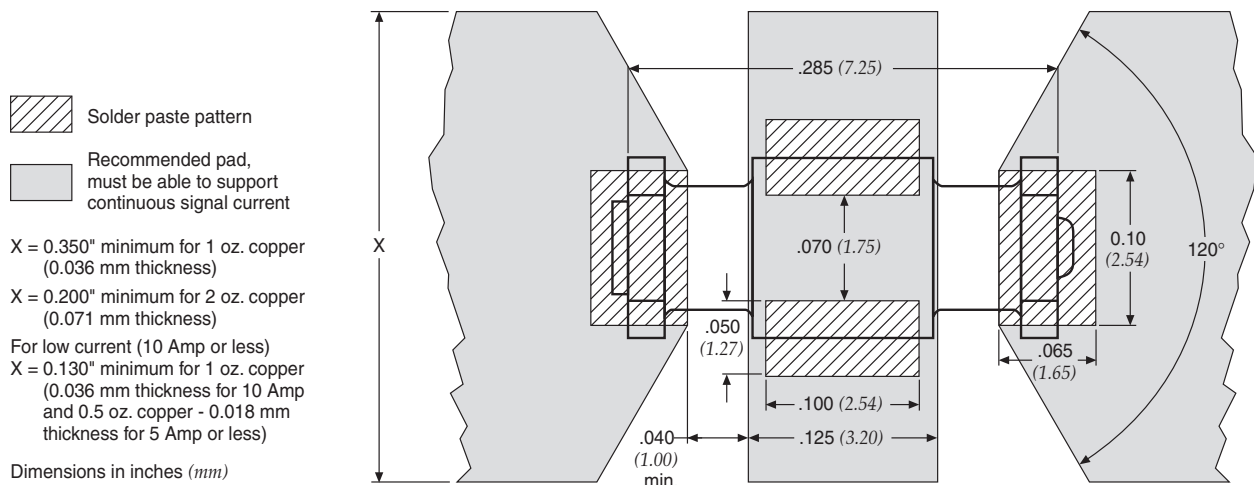
| PSM | 4 | - | 402Z | - | 20 | T | 0 | | | | | | | | | | | | | | | | | | | | | | | | | | | | | | | | | |
|---|------------------------------|-----------|---|------|-----------------------|------------------|----------------------|-------|------|------|--------|------|------|--------|----------|------|--------|----------|------|--------|------|------|---------|------|------|---------|------|------|---------|----------|------|---------|---------|--------|--------|----------|--|--|---|---|
| Style | Circuit Configuration | | Capacitance | | Current Rating | Packaging | Tape and Reel | | | | | | | | | | | | | | | | | | | | | | | | | | | | | | | | | |
| PSM (Power) | 1 - Pi 4 - Feed-through | | <table border="1"> <thead> <tr> <th>Code</th> <th>Value*</th> <th>Tolerance</th> </tr> </thead> <tbody> <tr><td>680M</td><td>68 pF</td><td>±20%</td></tr> <tr><td>101M</td><td>100 pF</td><td>±20%</td></tr> <tr><td>131P</td><td>130 pF</td><td>+100/-0%</td></tr> <tr><td>471P</td><td>470 pF</td><td>+100/-0%</td></tr> <tr><td>821M</td><td>820 pF</td><td>±20%</td></tr> <tr><td>102M</td><td>1000 pF</td><td>±20%</td></tr> <tr><td>152M</td><td>1500 pF</td><td>±20%</td></tr> <tr><td>252P</td><td>2500 pF</td><td>+100/-0%</td></tr> <tr><td>402Z</td><td>4000 pF</td><td>+80/20%</td></tr> <tr><td>103Z**</td><td>.01 μF</td><td>+80/-20%</td></tr> </tbody> </table> | Code | Value* | Tolerance | 680M | 68 pF | ±20% | 101M | 100 pF | ±20% | 131P | 130 pF | +100/-0% | 471P | 470 pF | +100/-0% | 821M | 820 pF | ±20% | 102M | 1000 pF | ±20% | 152M | 1500 pF | ±20% | 252P | 2500 pF | +100/-0% | 402Z | 4000 pF | +80/20% | 103Z** | .01 μF | +80/-20% | | 10 - 10 Amps (Pi) 20 - 20 Amps (Feed-through) | T - Tape and reel packaging B - Bulk packaging | 0 - 500 pieces 2 - 2,000 pieces <i>Note: Tape and reel packaging - 500 pieces (7") and 2,000 pieces (13")</i> |
| Code | Value* | Tolerance | | | | | | | | | | | | | | | | | | | | | | | | | | | | | | | | | | | | | | |
| 680M | 68 pF | ±20% | | | | | | | | | | | | | | | | | | | | | | | | | | | | | | | | | | | | | | |
| 101M | 100 pF | ±20% | | | | | | | | | | | | | | | | | | | | | | | | | | | | | | | | | | | | | | |
| 131P | 130 pF | +100/-0% | | | | | | | | | | | | | | | | | | | | | | | | | | | | | | | | | | | | | | |
| 471P | 470 pF | +100/-0% | | | | | | | | | | | | | | | | | | | | | | | | | | | | | | | | | | | | | | |
| 821M | 820 pF | ±20% | | | | | | | | | | | | | | | | | | | | | | | | | | | | | | | | | | | | | | |
| 102M | 1000 pF | ±20% | | | | | | | | | | | | | | | | | | | | | | | | | | | | | | | | | | | | | | |
| 152M | 1500 pF | ±20% | | | | | | | | | | | | | | | | | | | | | | | | | | | | | | | | | | | | | | |
| 252P | 2500 pF | +100/-0% | | | | | | | | | | | | | | | | | | | | | | | | | | | | | | | | | | | | | | |
| 402Z | 4000 pF | +80/20% | | | | | | | | | | | | | | | | | | | | | | | | | | | | | | | | | | | | | | |
| 103Z** | .01 μF | +80/-20% | | | | | | | | | | | | | | | | | | | | | | | | | | | | | | | | | | | | | | |
| <p>† Also available through API's authorized distributors.</p> <p>* Other capacitance values available as special order. ** Available in Feed-through circuit only.</p> | | | | | | | | | | | | | | | | | | | | | | | | | | | | | | | | | | | | | | | | |

Technical Notes

- Soldering recommendations supplied upon request
- Reflow temperature limit is 250°C
- Unit weight is approximately 0.4 grams
- Tape and reel packaging available for automated assembly



PSM Recommended Board Pattern



Mouser Electronics

Authorized Distributor

Click to View Pricing, Inventory, Delivery & Lifecycle Information:

API Technologies:

[PSM1-402Z-05T](#) [PSM4-402Z-05T](#) [PSM1-101M-05T0](#) [PSM1-102M-05T0](#) [PSM1-102M-02T0](#) [PSM1-102M-10T0](#)
[PSM1-252P-05T0](#) [PSM1-402Z-02B](#) [PSM1-402Z-10B](#) [PSM1-402Z-10T0](#) [PSM1-471P-10T0](#) [PSM1F-101M-05T0](#)
[PSM1F-102M-02T0](#) [PSM1F-102M-05T0](#) [PSM1F-252P-02T0](#) [PSM4-102M-20T0](#) [PSM4F-102M-20B](#) [PSM4F-103Z-](#)
[20T0](#) [PSM4F-152M-20T0](#) [PSM1-252P-10B](#) [PSM1-252P-02T0](#) [PSM4-152M-20T0](#) [PSM4-102M-20T](#) [PSM4-152M-20T](#)
[PSM4-102M-20B](#) [PSM4-103Z-20T0](#) [PSM1F-471P-10T0](#) [PSM1-402Z-05T2](#) [PSM1-101M-05T2](#) [PSM1-101M-10T0](#)
[PSM1-101M-10T2](#) [PSM1F-152M-10T0](#) [PSM1-402Z-10T2](#) [PSM4F-152M-10T0](#) [PSM1F-821M-10B](#) [PSM4-101M-20T0](#)
[PSM4F-101M-20T0](#) [PSM4F-252P-20T0](#) [PSM4-103Z-20T0-L](#) [PSM1F-252P-10T0](#) [PSM1F-680M-10T0](#) [PSM4-103Z-](#)
[20B](#) [PSM1-821M-10B](#) [PSM4-252P-20B](#) [PSM1F-101M-10B](#) [PSM4F-102M-10B](#) [PSM4F-103Z-10B](#) [PSM4F-252P-10B](#)
[PSM4F-402Z-10B](#) [PSM4F-821M-10B](#) [PSM1-152M-10B](#) [PSM4-152M-20B](#) [PSM1F-102M-10T0](#) [PSM1-101M-02B](#)
[PSM1-101M-02T2](#) [PSM1-101M-05B](#) [PSM1-101M-10B](#) [PSM1-102M-02B](#) [PSM1-102M-02T2](#) [PSM1-102M-05B](#)
[PSM1-102M-05T2](#) [PSM1-102M-10T2](#) [PSM1-131P-02B](#) [PSM1-131P-02T0](#) [PSM1-131P-02T2](#) [PSM1-131P-05B](#)
[PSM1-131P-05T0](#) [PSM1-131P-05T2](#) [PSM1-131P-10B](#) [PSM1-131P-10T0](#) [PSM1-131P-10T2](#) [PSM1-152M-02B](#)
[PSM1-152M-02T0](#) [PSM1-152M-02T2](#) [PSM1-152M-05B](#) [PSM1-152M-05T0](#) [PSM1-152M-05T2](#) [PSM1-152M-10T0](#)
[PSM1-152M-10T2](#) [PSM1-252P-02B](#) [PSM1-252P-02T2](#) [PSM1-252P-05B](#) [PSM1-252P-05T2](#) [PSM1-252P-10T2](#)
[PSM1-402Z-02T2](#) [PSM1-402Z-05B](#) [PSM1-402Z-20B](#) [PSM1-402Z-20T0](#) [PSM1-402Z-20T2](#) [PSM1-471P-02B](#) [PSM1-](#)
[471P-02T0](#) [PSM1-471P-02T2](#) [PSM1-471P-05B](#) [PSM1-471P-05T0](#) [PSM1-471P-05T2](#) [PSM1-471P-10B](#) [PSM1-471P-](#)
[10T2](#) [PSM1-680M-02B](#) [PSM1-680M-02T2](#) [PSM1-680M-05B](#)