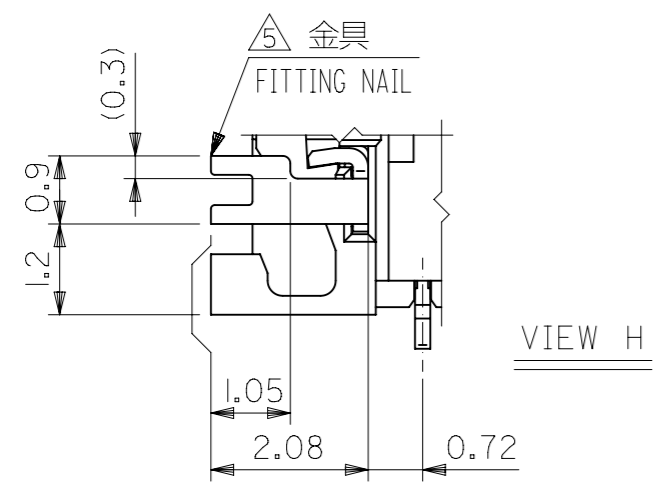
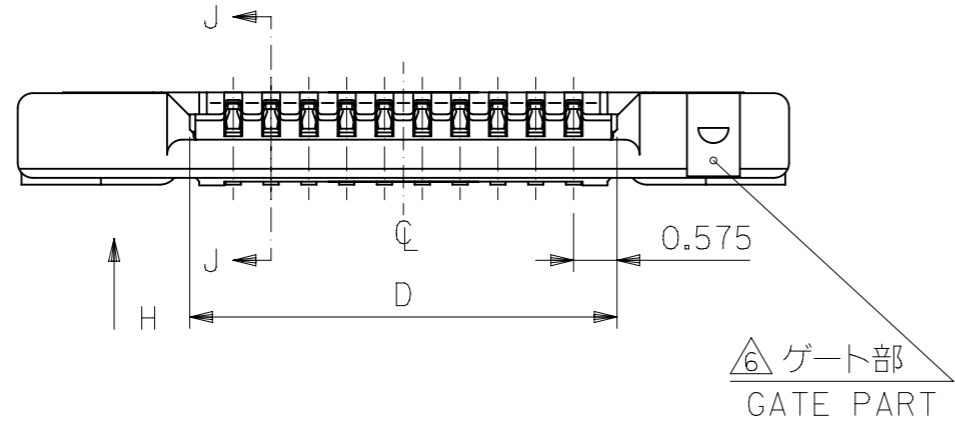
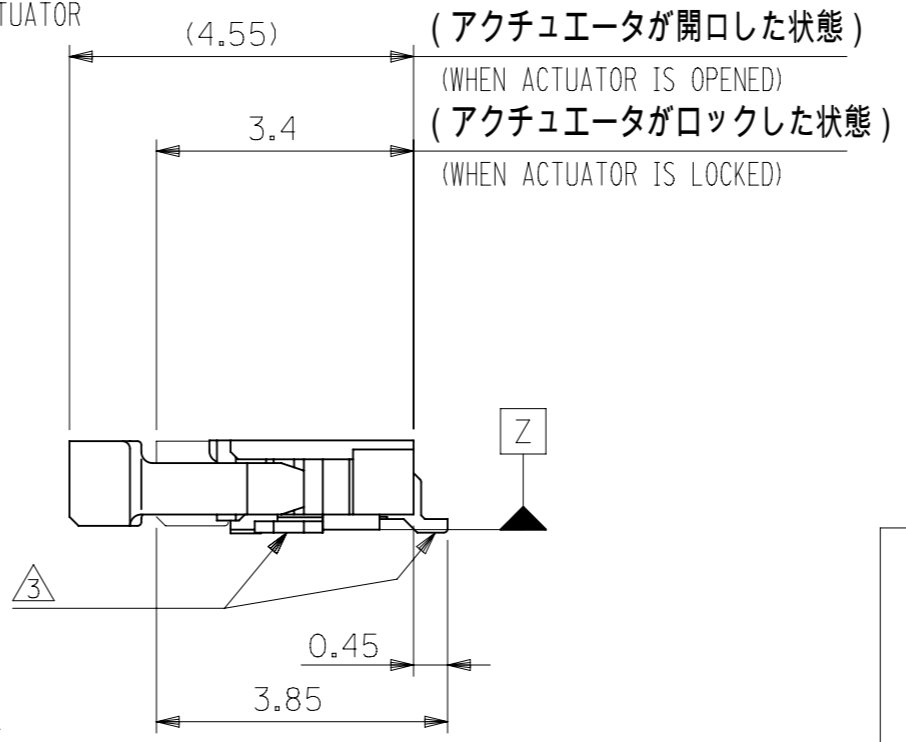


SECT. J-J  
SCALE 20:1



VIEW H

0.3 ± 0.03	13.65	17	12.5	18.2	54550-2671	26
	12.65	16	11.5	17.2	54550-2471	24
	11.15	14.5	10	15.7	54550-2171	21
	10.65	14	9.5	15.2	54550-2071	20
	9.65	13	8.5	14.2	54550-1871	18
	8.65	12	7.5	13.2	54550-1671	16
	7.65	11	6.5	12.2	54550-1471	14
	6.65	10	5.5	11.2	54550-1271	12
	5.65	9	4.5	10.2	54550-1071	10
	5.15	8.5	4	9.7	54550-0971	9
	4.65	8	3.5	9.2	54550-0871	8
	4.15	7.5	3	8.7	54550-0771	7
3.65	7	2.5	8.2	54550-0671	6	
3.15	6.5	2	7.7	54550-0571	5	
2.65	6	1.5	7.2	54550-0471	4	
THICKNESS OF FPC	D	C	B	A	EMBOSSED TAPE	極数
					ORDER No. オーダー番号	Ckt

CONNECTOR SERIES NO. 54550-\*\*29

THIS DRAWING CONTAINS INFORMATION THAT IS PROPRIETARY TO MOLEX ELECTRONIC TECHNOLOGIES, LLC AND SHOULD NOT BE USED WITHOUT WRITTEN PERMISSION

CURRENT REV DESC: OBSOLETE PART NUMBERS

**molex**

0.5 FPC CONN. HSG ASSY FOR SMT RA U/CONTACT

PRODUCT CUSTOMER DRAWING

EC NO: 636343  
DRWN: AKUMAR19 2020/04/21  
CHK'D: GGA 2020/07/10  
APPR: GGA 2020/07/10

INITIAL REVISION:  
DRWN: MNINOMIYA 2004/02/12  
APPR: MSASAO 2004/02/12

DOCUMENT NUMBER: SD-54550-042  
DOC TYPE: PSD  
DOC PART: 001  
REVISION: N

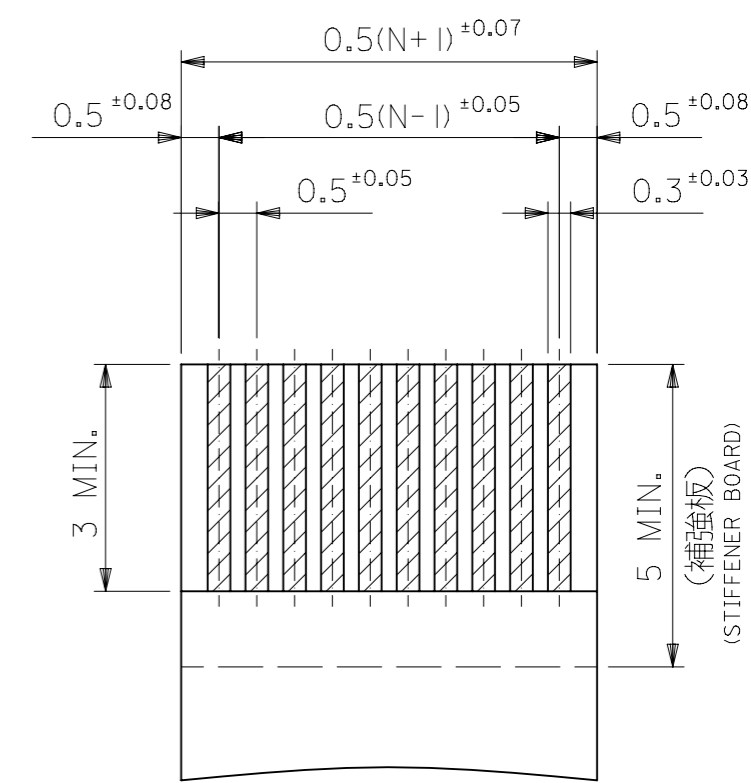
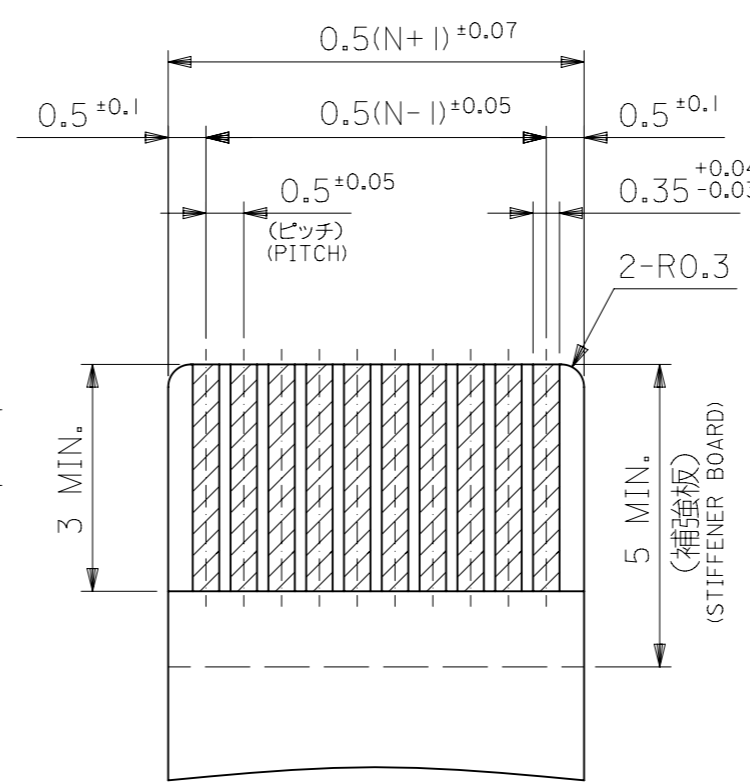
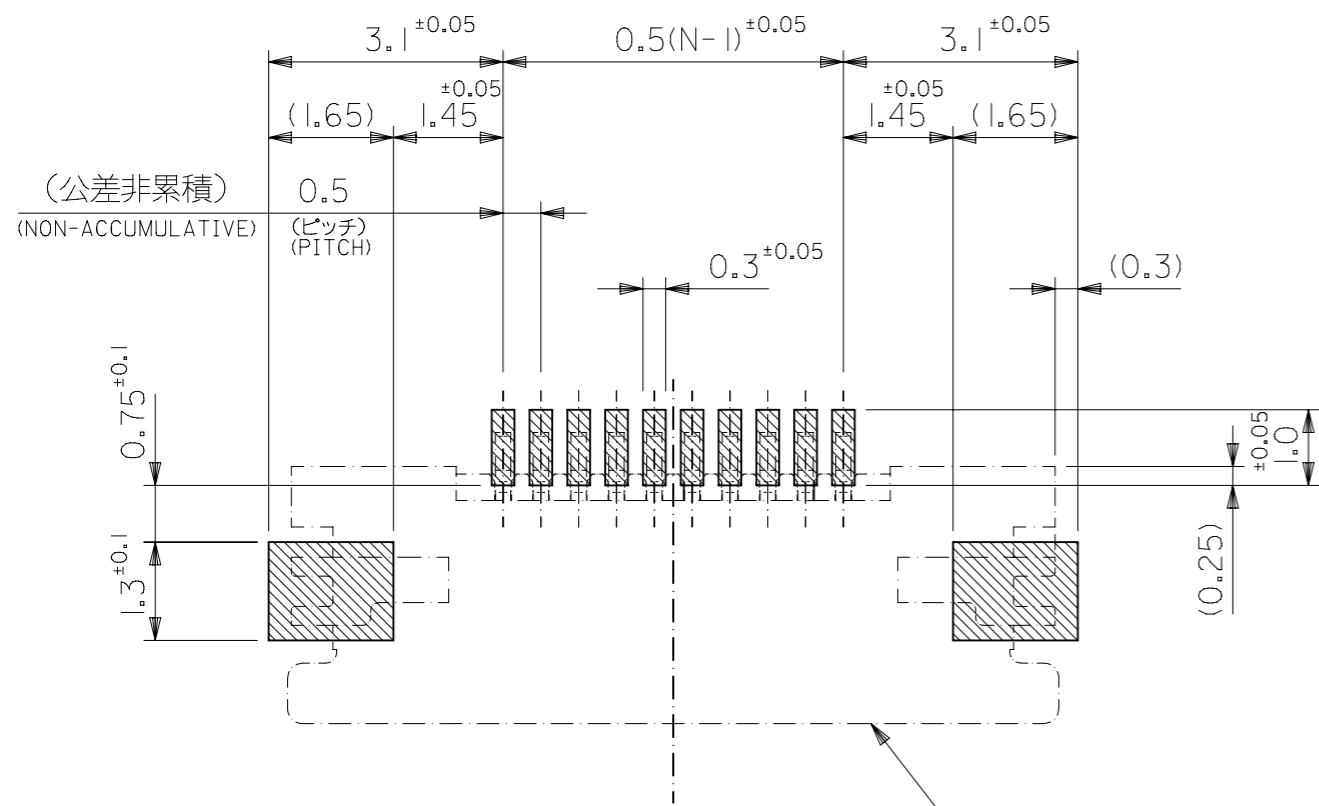
DRAWING: A3-SIZE  
SERIES: 54550  
MATERIAL NUMBER: SEE TABLE  
CUSTOMER: GENERAL MARKET  
SHEET NUMBER: 1 OF 2

GENERAL TOLERANCES (UNLESS SPECIFIED)

10 <sup>UNDER</sup>	±0.2
10 <sup>OVER</sup> 30 <sup>UNDER</sup>	±0.25
30 <sup>OVER</sup>	±0.3

ANGULAR TOL ± 3.0°

DRAFT WHERE APPLICABLE MUST REMAIN WITHIN DIMENSIONS



参考基板レイアウト  
RECOMMENDED P.C. BOARD  
PATTERN DIMENSION (REF.)  
(マウント面)  
(MOUNTING SIDE)

コネクタ位置  
CONNECTOR POSITION

適合FPC推奨寸法  
APPLICABLE FPC  
RECOMMENDED DIMENSION  
(仕上がり厚さ: 表参照)  
(THICKNESS: SEE CHART)

適合FFC推奨寸法  
APPLICABLE FFC  
RECOMMENDED DIMENSION  
(仕上がり厚さ: 表参照)  
(THICKNESS: SEE CHART)

注記 NOTES

1. 使用材料 MATERIAL

ハウジング : LCP, UL94V-0  
HOUSING

アクチュエータ : PPS, UL94V-0  
ACTUATOR

ターミナル : リン青銅  
TERMINAL PHOSPHOR BRONZE

メッキ : 接点部: 金メッキ  
PLATING CONTACT PORTION : GOLD PLATING

: 半田付部: 錫メッキ  
SOLDERING PORTION : TIN PLATING  
: 下地: ニッケルメッキ  
UNDER PLATING : NICKEL PLATING

金具 : リン青銅, ニッケル下地 錫メッキ  
FITTING NAIL PHOSPHOR BRONZE, TIN OVER NICKEL PLATING

2. エンボステープ梱包時は、アクチュエータがロックした状態とする。  
IN THE PACKAGE, ACTUATOR OF PART NO.54550-\*\*29 SHOULD BE LOCKED.

3. ソルダータール半田付け面のズレ量、及び金具半田付け面のズレ量は、基準面 Z に対し上方向 0 MAX.、下方向 0.15 MAX. とし  
相互のパラッキ量は 0.1 MAX. とする。  
MISALIGNMENT OF SOLDER TAILS AND FITTING NAILS FROM Z  
UPPER DIRECTION: 0 MAX., LOWER DIRECTION: 0.15 MAX.  
OFFSET BETWEEN UPPER AND LOWER 0.1 MAX.

4. 偶数極に適用。  
APPLY FOR EVEN CIRCUIT.

5. パターンはくり止め用金具  
FITTING NAIL FOR PREVENTION OF PEELING  
OF P.C.B. PATTERN.

6. ゲート部は、左右どちらか一方にあるものとする。  
A GATE PART -- RIGHT AND LEFT -- IT SHALL BE IN EITHER.

7. 本製品は 54550-\*\*27 の鉛フリー品である。  
THIS PRODUCT IS LEAD FREE OF 54550-\*\*27.

8. N: 極数 N: CIRCUIT.

9. ELV 及び RoHS 適合品 / ELV AND RoHS COMPLIANT.

FPC/FFC について:

打ち抜き方向は導体側から補強板側を推奨します。  
導体部については軟銅箔35µmまたは50µmを推奨します。

ABOUT FPC/FFC

RECOMMENDED PUNCHER DIRECTION : FROM CONDUCTOR SIDE TO STIFFENER FILM SIDE.  
RECOMMENDED CONDUCTOR SPEC :  
THICKNESS OF SOFT COPPER FOIL : 35 MICROMETER OR 50 MICROMETER.

FPC について:

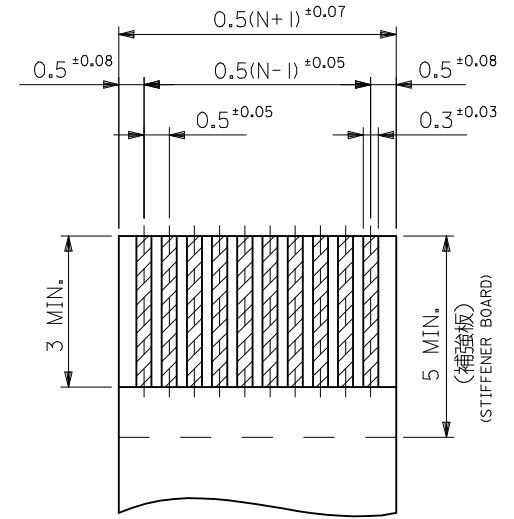
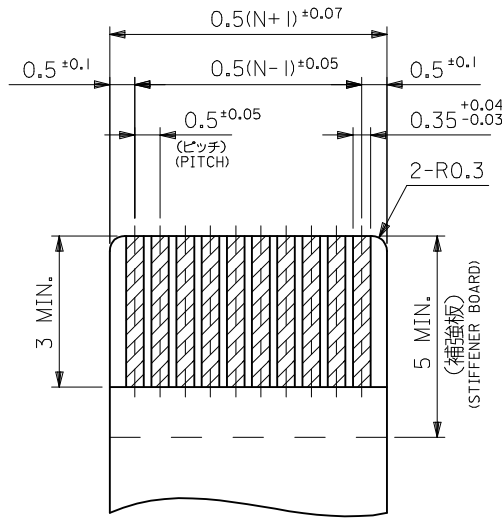
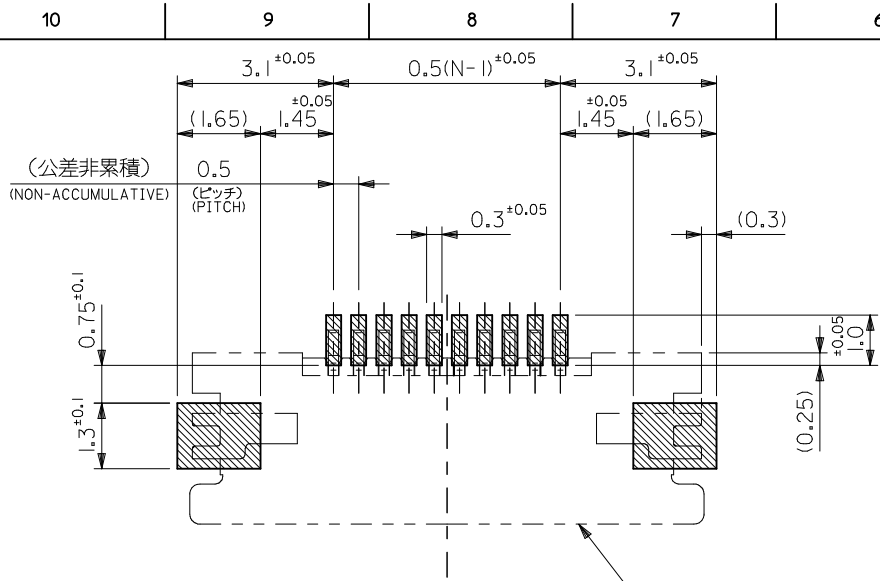
補強フィルム材質はポリイミドを推奨します。ベ-スフィルムは25µmを推奨します。  
接着剤は熱硬化接着剤を推奨します。  
尚、接着剤の接点部への付着は導通不良の原因になりますので、染み出しが無い様、お願い致します。

ABOUT FPC

RECOMMENDED MATERIAL/THICKNESS.  
STIFFENER FILM : POLYIMIDE  
BASE FILM THICKNESS : 25µm  
BONDING AGENT : THERMOSETTING BONDING AGENT  
PLEASE PUT APPROPRIATE AMOUNT OF ADHESIVE ON THE CONTACT  
AREA BECAUSE THE EXTRA ADHESIVE MAY CAUSE THE DEFECT IN  
ELECTRICAL CONTINUITY.

THIS DRAWING CONTAINS INFORMATION THAT IS PROPRIETARY TO MOLEX ELECTRONIC TECHNOLOGIES, LLC AND SHOULD NOT BE USED WITHOUT WRITTEN PERMISSION		CURRENT REV DESC: OBSOLETE PART NUMBERS		<b>molex</b>	
DIMENSION UNITS	SCALE	EC NO: 636343			
mm	1:1	DRWN: AKUMAR19 2020/04/21		0.5 FPC CONN. HSG ASSY FOR SMT RA U/CONTACT	
GENERAL TOLERANCES (UNLESS SPECIFIED)		CHK'D: GGA 2020/07/10		PRODUCT CUSTOMER DRAWING	
		APPR: GGA 2020/07/10		DOCUMENT NUMBER	
4 PLACES ±		INITIAL REVISION:		DOC TYPE	
3 PLACES ±		DRWN: MNINOMIYA 2004/02/12		DOC PART	
2 PLACES ±		APPR: MSASAO 2004/02/12		REVISION	
1 PLACE ±		DRAWING		SD-54550-042	
0 PLACES ±		SERIES		PSD 001 N	
ANGULAR TOL ± 3.0°		MATERIAL NUMBER		SEE TABLE	
DRAFT WHERE APPLICABLE MUST REMAIN WITHIN DIMENSIONS		CUSTOMER		GENERAL MARKET	
THIRD ANGLE PROJECTION		SHEET NUMBER		2 OF 2	

GENERAL TOLERANCES (UNLESS SPECIFIED)	
10 <sup>UNDER</sup>	±0.2
10 <sup>OVER</sup> 30 <sup>UNDER</sup>	±0.25
30 <sup>OVER</sup>	±0.3



(公差非累積)  
(NON-ACCUMULATIVE)

参考基板レイアウト  
RECOMMENDED P.C.BOARD  
PATTERN DIMENSION (REF.)

コネクタ位置  
CONNECTOR POSITION

適合FPC推奨寸法  
APPLICABLE FPC  
RECOMMENDED DIMENSION

(仕上がり厚さ:表参照)  
(THICKNESS:SEE CHART)

適合FFC推奨寸法  
APPLICABLE FFC  
RECOMMENDED DIMENSION

(仕上がり厚さ:表参照)  
(THICKNESS:SEE CHART)

注記 NOTES

1. 使用材料 MATERIAL

ハウジング : LCP, UL94V-0  
HOUSING

アクチュエータ : PPS, UL94V-0  
ACTUATOR

ターミナル : リン青銅  
TERMINAL PHOSPHOR BRONZE

メッキ : 接点部:金メッキ  
PLATING CONTACT PORTION : GOLD PLATING

: 半田付部:錫メッキ  
SOLDERING PORTION : TIN PLATING

: 下地:ニッケルメッキ  
UNDER PLATING : NICKEL PLATING

金具 : リン青銅, ニッケル下地 錫メッキ  
FITTING NAIL PHOSPHOR BRONZE, TIN OVER NICKEL PLATING

2. エンボステープ梱包時は、アクチュエータがロックした状態とする。  
IN THE PACKAGE,ACTUATOR OF PART NO.54550-\*\*29 SHOULD BE LOCKED.

△ソルダーテール半田付け面のズレ量、及び金具半田付け面のズレ量は、基準面 Z に対し上方向 OMAX.、下方向 0.15MAX.とし

相互のバラッキ量は0.1MAX.とする。  
MISALIGNMENT OF SOLDER TAILS AND FITTING NAILS FROM UPPER DIRECTION:0 MAX., LOWER DIRECTION:0.15 MAX.

OFFSET BETWEEN UPPER AND LOWER 0.1 MAX.

△偶数極に適用。  
APPLY FOR EVEN CIRCUIT.

△パターンはくり止め用金具  
FITTING NAIL FOR PREVENTION OF PEELING OF P.C.B. PATTERN.

△ゲート部は、左右どちらか一方にあるものとする。  
A GATE PART -- RIGHT AND LEFT -- IT SHALL BE IN EITHER.

7. 本製品は 54550-\*\*27 の鉛フリー品である。  
THIS PRODUCT IS LEAD FREE OF 54550-\*\*27.

8. N: 極数 N: CIRCUIT.

9. ELV 及び RoHS 適合品 / ELV AND RoHS COMPLIANT.

FPC/FFC について:

打ち抜き方向は導体側から補強板側を推奨します。  
導体部については軟銅箔35μmまたは50μmを推奨します。

ABOUT FPC/FFC  
RECOMMENDED PUNCHER DIRECTION : FROM CONDUCTOR SIDE TO STIFFENER FILM SIDE.  
RECOMMENDED CONDUCTOR SPEC :  
THICKNESS OF SOFT COPPER FOIL : 35 MICROMETER OR 50 MICROMETER.

FPC について:

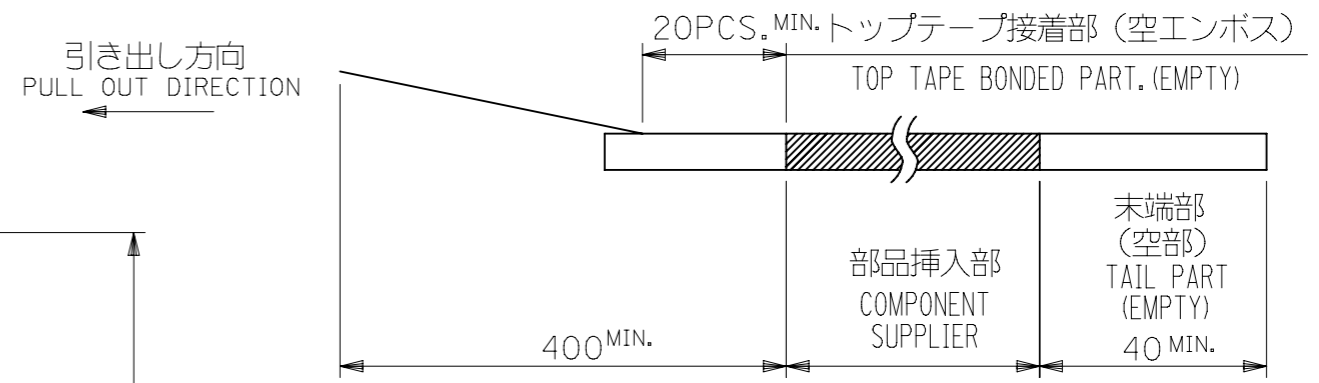
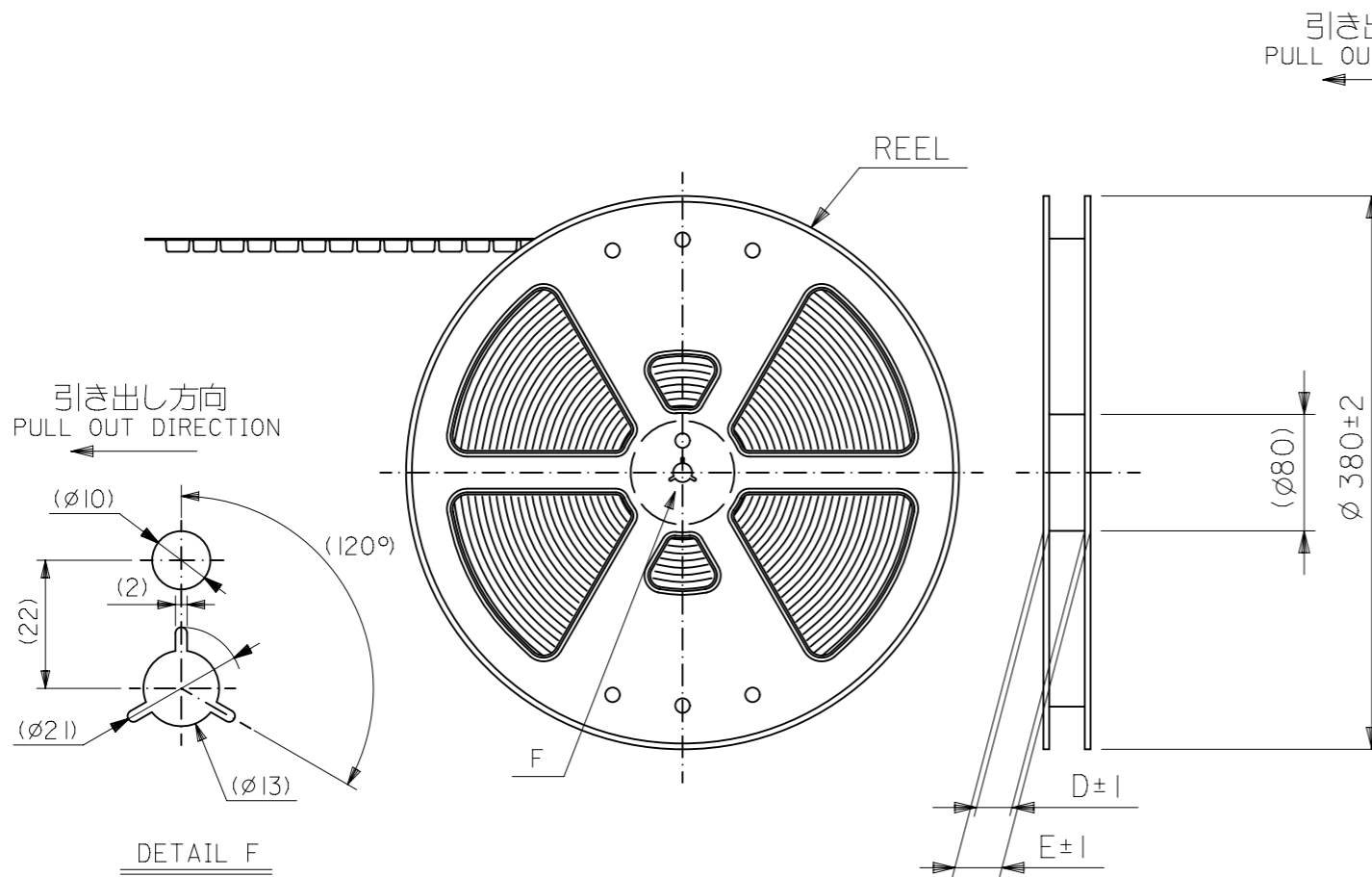
補強フィルム材質はポリイミドを推奨します。ベースフィルムは25μmを推奨します。  
接着剤は熱硬化接着剤を推奨します。  
尚、接着剤の接点部への付着は導通不良の原因になりますので、染み出しが無い様、お願い致します。

ABOUT FPC  
RECOMMENDED MATERIAL/THICKNESS.  
STIFFENER FILM : POLYIMIDE  
BASE FILM THICKNESS : 25μm  
BONDING AGENT : THERMOSETTING BONDING AGENT  
PLEASE PUT APPROPRIATE AMOUNT OF ADHESIVE ON THE CONTACT AREA BECAUSE THE EXTRA ADHESIVE MAY CAUSE THE DEFECT IN ELECTRICAL CONTINUITY.

REVISED EC NO: J2010-1202 DRWN:TONO 2009/12/11 CHKD:ISHIMOTOYAMA 2009/12/11 APPR:KMORIKAWA 2009/12/14	DESCRIPTION	GENERAL TOLERANCES (UNLESS SPECIFIED)		DIMENSION STYLE MM ONLY		SCALE ---	DESIGN UNITS METRIC	THIRD ANGLE PROJECTION	
		10 UNDER	±0.2	DRAWN BY M.NINOMIYA	DATE 2004/02/12	TITLE 0.5 FPC CONN. HSG ASSY FOR SMT RA U/CONTACT			
		10 OVER 30 UNDER	±0.25	CHECKED BY K.TOJO	DATE 2004/02/12				
		30 OVER	±0.3	APPROVED BY M.SASAO	DATE 2004/02/12				
		ANGULAR	±3 °	MATERIAL NO. SEE SHEET 1		DOCUMENT NO. SD-54550-042		SHEET NO. 2 OF 2	
		DRAFT WHERE APPLICABLE MUST REMAIN WITHIN DIMENSIONS		THIS DRAWING CONTAINS INFORMATION THAT IS PROPRIETARY TO MOLEX INCORPORATED AND SHOULD NOT BE USED WITHOUT WRITTEN PERMISSION					

NOTES

- 1. 製品詳細寸法については図面 SD-54550-042 を参照下さい。  
RE DETAILED DIMENSION, SEE SD-54550-042.
- 2. 梱包数量：3000個/リール  
NUMBER OF CONNECTORS : 3000PCS/REEL
- 3. リードテープ長さ LEAD TAPE LENGTH

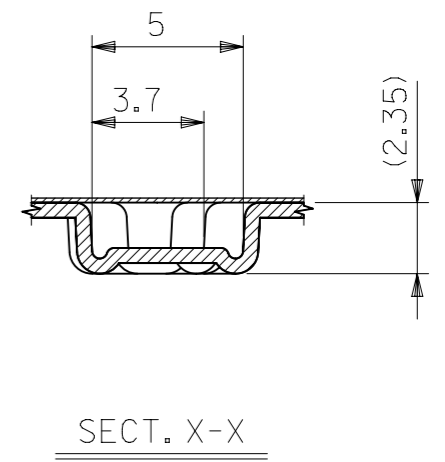
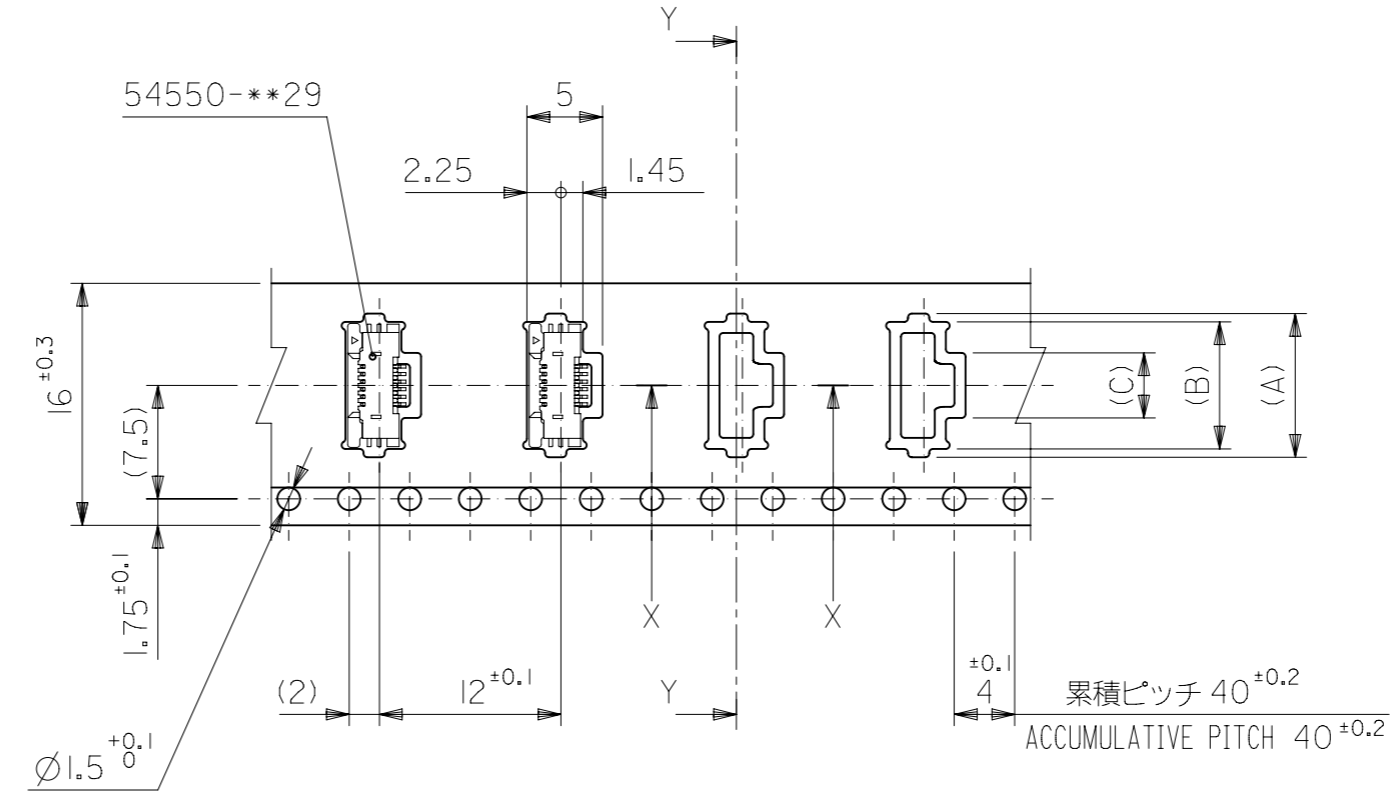
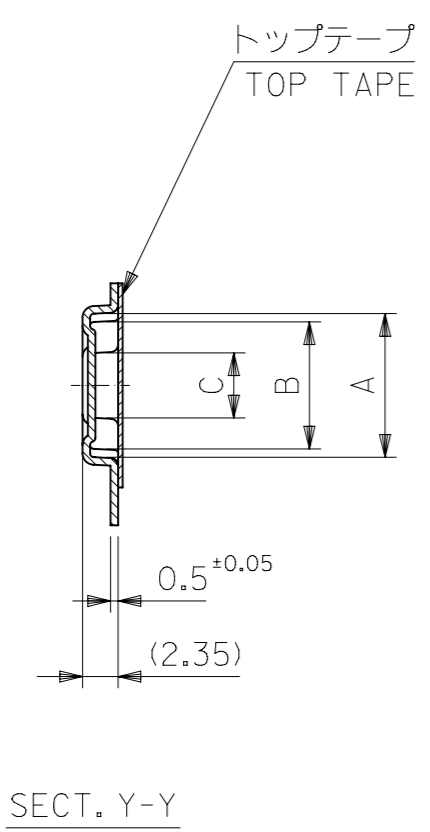


- 4. 材料 (MATERIAL)  
 キャリアテープ (CARRIER TAPE) : ポリプロピレン (POLYPROPYLENE)  
 トップテープ (TOPTAPE) : PET, PE, PEF  
 リール (REEL) : ポリスチレン (PS) <リサイクル材を含む>  
 POLYSTYRENE (PS) <RECYCLE MATERIAL CONTAINED>
- 5. 本製品は 54550-\*\*9I の鉛フリー品である。  
THIS PRODUCT IS LEAD FREE OF 54550-\*\*9I.
- 6. ELV 及び RoHS 適合品 / ELV AND RoHS COMPLIANT.

THIS DRAWING CONTAINS INFORMATION THAT IS PROPRIETARY TO MOLEX ELECTRONIC TECHNOLOGIES, LLC AND SHOULD NOT BE USED WITHOUT WRITTEN PERMISSION		CURRENT REV DESC: OBSOLETE PART NUMBER		<b>molex</b>	
DIMENSION UNITS: mm		SCALE: NTS			
GENERAL TOLERANCES (UNLESS SPECIFIED)		GENERAL TOLERANCES (UNLESS SPECIFIED)		PRODUCT CUSTOMER DRAWING	
				DOCUMENT NUMBER: SD-54550-043	
				DOC TYPE: PSD	
				DOC PART: 001	
				REVISION: M	
				SHEET NUMBER: 1 OF 3	

GENERAL TOLERANCES (UNLESS SPECIFIED)		
10 <sup>UNDER</sup>	±0.2	
10 <sup>OVER</sup> 30 <sup>UNDER</sup>	±0.25	
30 <sup>OVER</sup>	±0.3	

引き出し方向  
PULL OUT DIRECTION



16mm幅キャリアテープ  
16mm WIDTH CARRIER TAPE

16	21.4	17.4	4.3	8.4	9.5	54550-0671	6
			3.8	7.9	9	54550-0571	5
			3.3	7.4	8.5	54550-0471	4
キャリアテープ幅 CARRIER TAPE WIDTH	E	D	(C)	(B)	(A)	製品番号 MATERIAL No.	極数 CK+

THIS DRAWING CONTAINS INFORMATION THAT IS PROPRIETARY TO MOLEX ELECTRONIC TECHNOLOGIES, LLC AND SHOULD NOT BE USED WITHOUT WRITTEN PERMISSION

CURRENT REV DESC: OBSOLETE PART NUMBER

DIMENSION UNITS		SCALE		<b>molex</b>			
mm		NTS					
GENERAL TOLERANCES (UNLESS SPECIFIED)				EMBSTP PKG FOR 0.5 FPC CONN ZIF UPR CONT			
				PRODUCT CUSTOMER DRAWING			
GENERAL TOLERANCES (UNLESS SPECIFIED)				DOCUMENT NUMBER			
				SD-54550-043			
				DOC TYPE			
				PSD			
				DOC PART			
				001			
				REVISION			
				M			
				SHEET NUMBER			
				2 OF 3			

EC NO: 636343  
DRWN: AKUMAR19 2020/04/22  
CHK'D: GGA 2020/07/10  
APPR: GGA 2020/07/10

INITIAL REVISION:  
DRWN: MNINOMIYA 2004/02/12  
APPR: MSASAO 2004/02/12

DRAFT WHERE APPLICABLE MUST REMAIN WITHIN DIMENSIONS

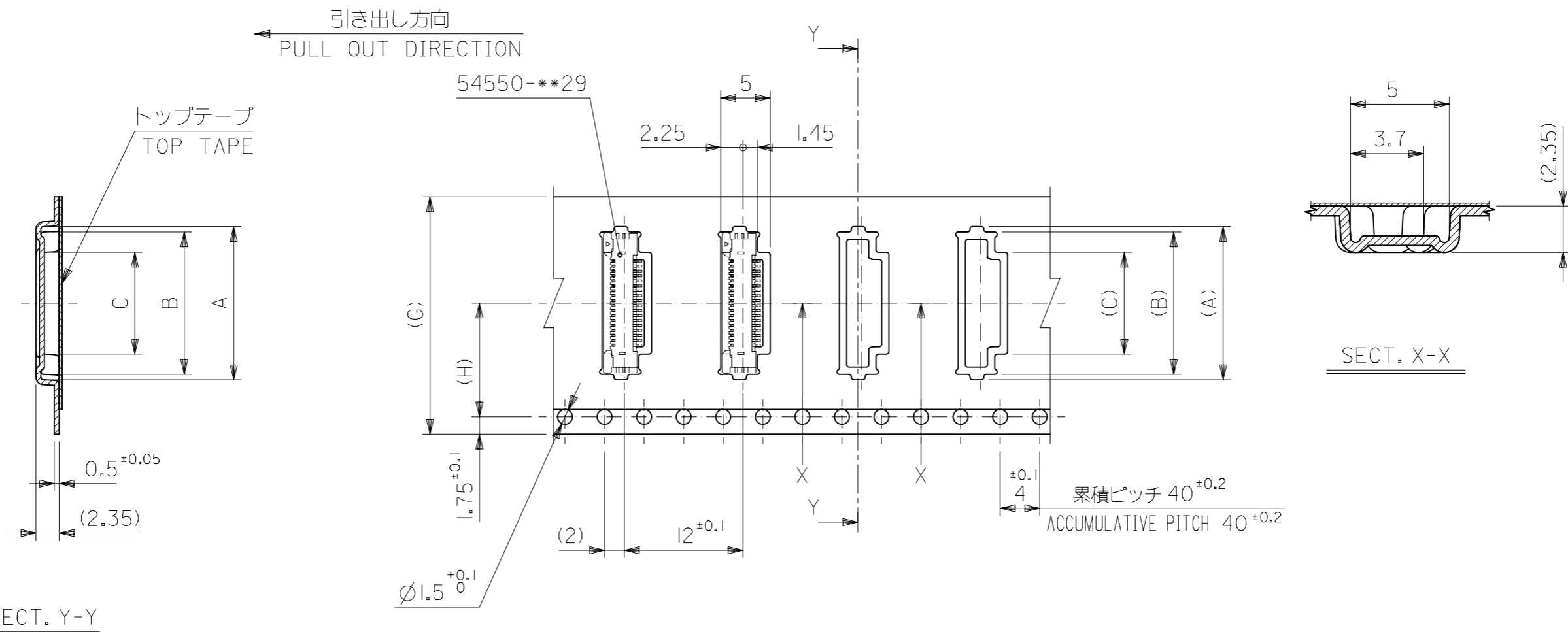
THIRD ANGLE PROJECTION

DRAWING: A3-SIZE

SERIES: 54550

MATERIAL NUMBER: SEE TABLE

CUSTOMER: GENERAL MARKET



24, 32mm幅キャリアテープ  
24mm, 32mm WIDTH CARRIER TAPE

32 <sup>+0.3</sup>	14.2	37.4	33.4	14.3	18.4	19.5	54550-2671	26
				13.3	17.4	18.5	54550-2471	24
24 <sup>+0.3</sup>	11.5	29.4	25.4	11.8	15.9	17	54550-2171	21
				11.3	15.4	16.5	54550-2071	20
				10.3	14.4	15.5	54550-1871	18
				9.3	13.4	14.5	54550-1671	16
				8.3	12.4	13.5	54550-1471	14
				7.3	11.4	12.5	54550-1271	12
				6.3	10.4	11.5	54550-1071	10
5.8	9.9	11	54550-0971	9				
5.3	9.4	10.5	54550-0871	8				
4.8	8.9	10	54550-0771	7				
G キャリアテープ幅 CARRIER TAPE WIDTH	H	E	D	(C)	(B)	(A)	製品番号 MATERIAL No.	極数 Ck+

THIS DRAWING CONTAINS INFORMATION THAT IS PROPRIETARY TO MOLEX ELECTRONIC TECHNOLOGIES, LLC AND SHOULD NOT BE USED WITHOUT WRITTEN PERMISSION

SCALE: mm NTS

GENERAL TOLERANCES (UNLESS SPECIFIED)

PLACES	MM	INCH
4 PLACES	±	±
3 PLACES	±	±
2 PLACES	±	±
1 PLACE	±	±
0 PLACES	±	±

ANGULAR TOL ± 3.0°

DRAFT WHERE APPLICABLE MUST REMAIN WITHIN DIMENSIONS

THIRD ANGLE PROJECTION

DRAWING: A3-SIZE

SERIES: 54550

MATERIAL NUMBER: SEE TABLE

CUSTOMER: GENERAL MARKET

SHEET NUMBER: 3 OF 3

EC NO: 636343  
DRWN: AKUMAR19  
CHK'D: GGA  
APPR: GGA

INITIAL REVISION:  
DRWN: MNINOMIYA  
APPR: MSASAO

DATE: 2020/04/22  
DATE: 2020/07/10  
DATE: 2020/07/10

DOCUMENT NUMBER: SD-54550-043

DOC TYPE: PSD

DOC PART: 001

REVISION: M

PRODUCT CUSTOMER DRAWING

EMBSTP PKG FOR 0.5 FPC  
CONN ZIF UPR CONT