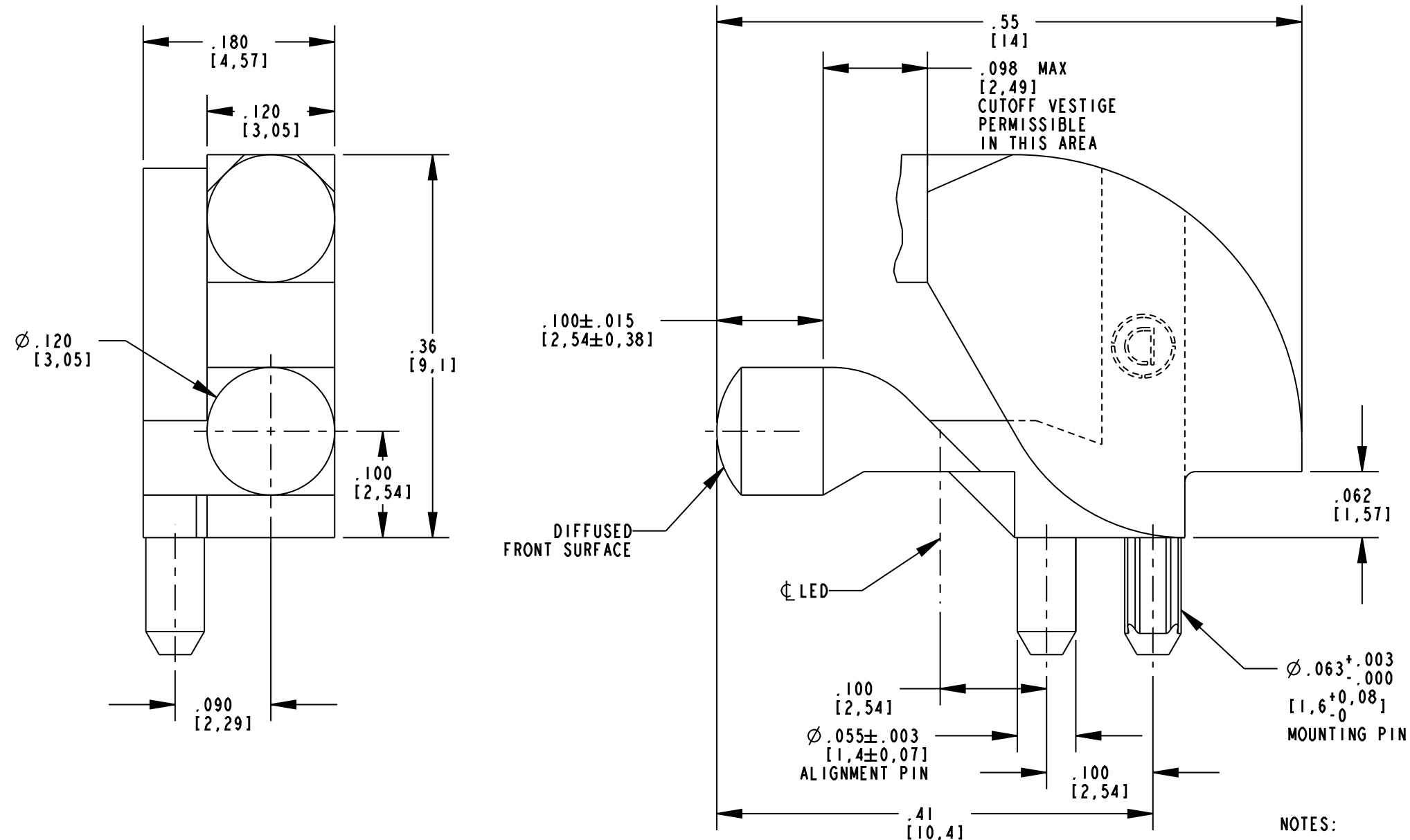


REV	ECN NO	REVISIONS	DRN	CKD	APP	DATE
A		NEW RELEASE	AJF	KLJ	NO	10-28-10

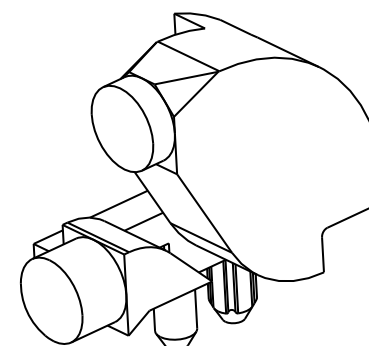
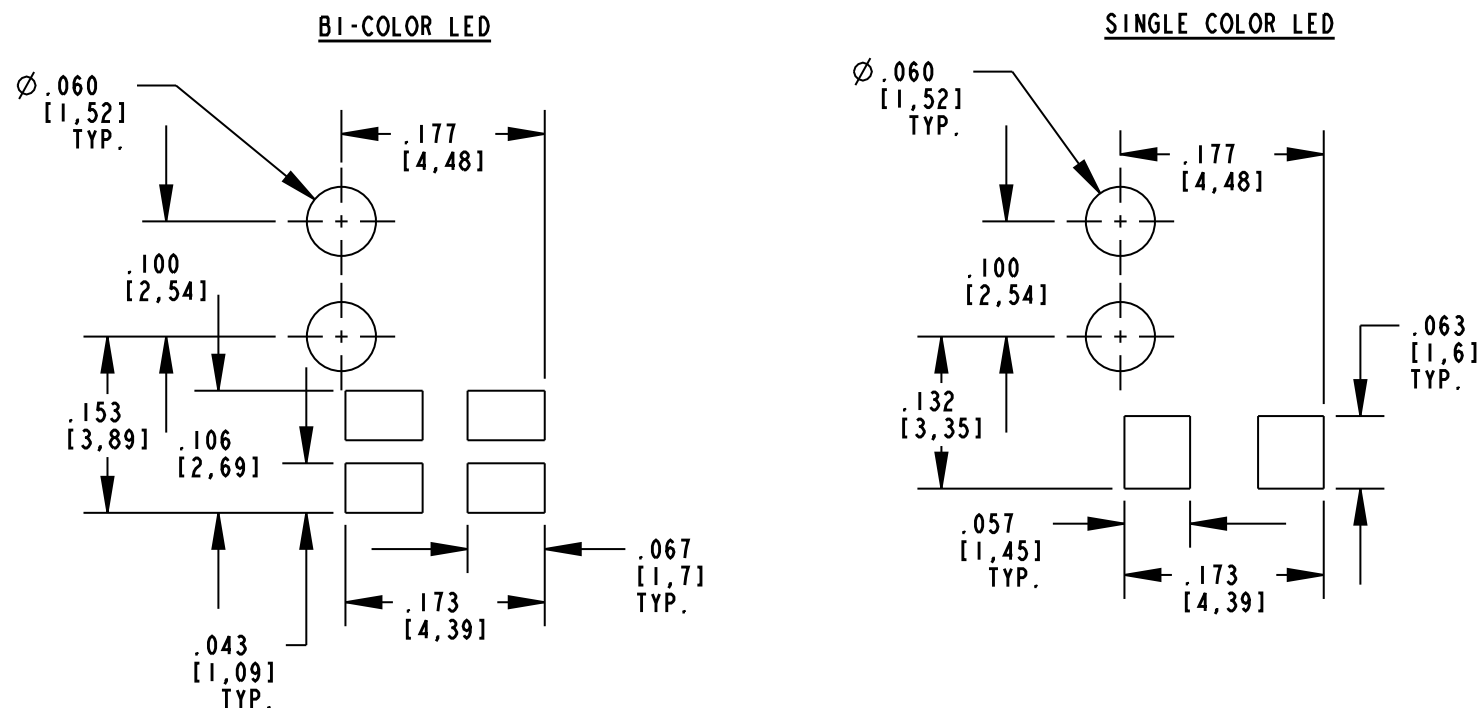
**RoHS COMPLIANT 515-1061-801F**  
 Part Numbers with the "F" suffix ending are RoHS Compliant.  
 Packaging is marked with "RoHS Compliant" label or equivalent markings.



**NOTES:**

1. DIALIGHT PART NUMBER: 515-1061-801F.
2. COMPONENTS DESIGNED TO BE PRESSED INTO PCB.
3. MATERIAL TO BE CLEAR, TRANSMISSIVE POLYCARBONATE (UL 94V-0 FLAMMABILITY).
4. STORAGE AND OPERATING TEMPERATURE: -30 TO +100°C.
5. RECOMMENDED SURFACE MOUNT LEDS DIALIGHT PART NUMBERS:  
 597-3XX1-50XF (SINGLE COLOR)  
 597-77X1-50XF (BI-COLOR)

**RECOMMENDED SOLDER PAD LAYOUT & HOLE PATTERN GAUGE** (TOLERANCES: ±.002")  
 SCALE: 6.000



SCALE 4.000

THIS DRAWING AND THE CONTENTS HEREIN ARE CONFIDENTIAL AND THE SOLE PROPERTY OF DIALIGHT. REPRODUCTION OF THIS DRAWING OR CONSTRUCTION OF ANY PARTS WITHIN THIS DRAWING ARE FORBIDDEN WITHOUT THE WRITTEN CONSENT OF DIALIGHT.		
SCALE: 8.000 ALL DIM'S IN: INCHES (MM)	DRAWING NUMBER C-17875	REV A
TOLERANCES: UNLESS OTHERWISE SPECIFIED FRACTIONS: ±1/64 DECIMALS (.XX): ±.02 DECIMALS (.XXX): ±.015	TITLE BI-LEVEL LIGHT PIPE	
ANGLES: ±1° FINISH:	MATERIAL	
FSCM 83330	Dialight 1501 ROUTE 34 SOUTH FARMINGDALE, NJ 07727	
	SHEET 1 OF 1	FAMILY TABLE:

# Mouser Electronics

Authorized Distributor

Click to View Pricing, Inventory, Delivery & Lifecycle Information:

Dialight:

[515-1061-801F](#) [515-1061-803F](#) [515-1167-801F](#) [515-1061-802F](#) [515-1061-804F](#) [515-1061-805F](#)