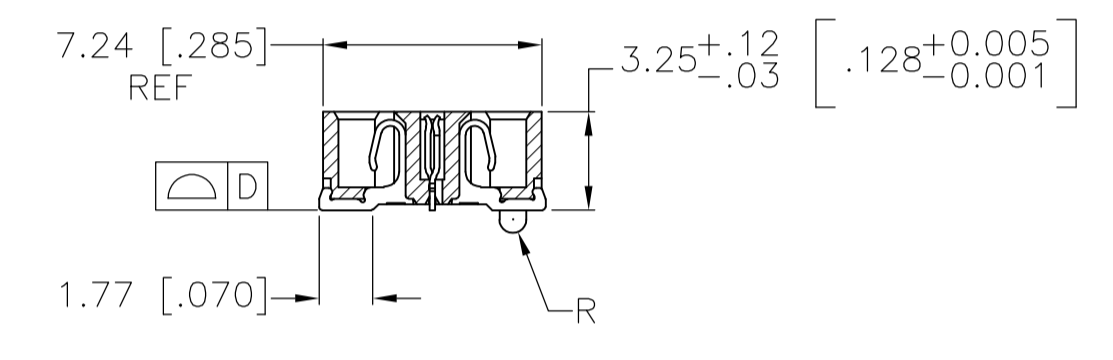
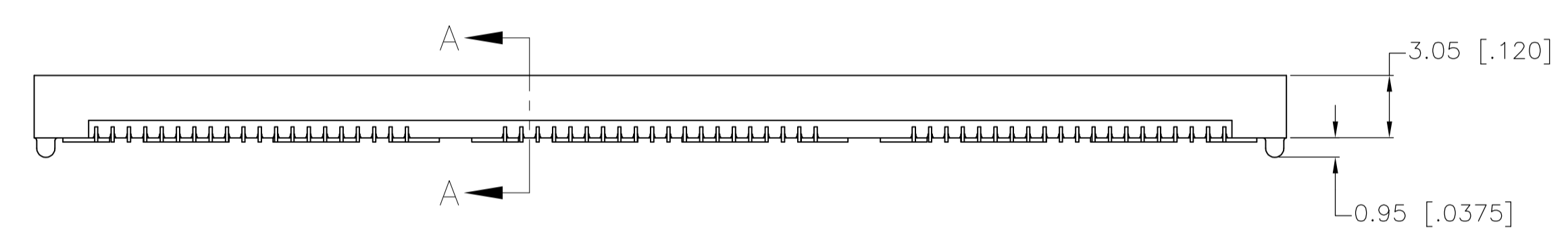
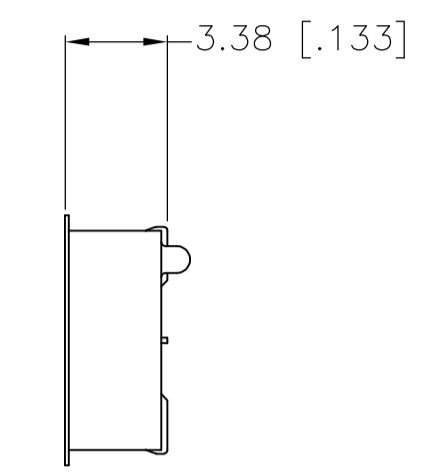
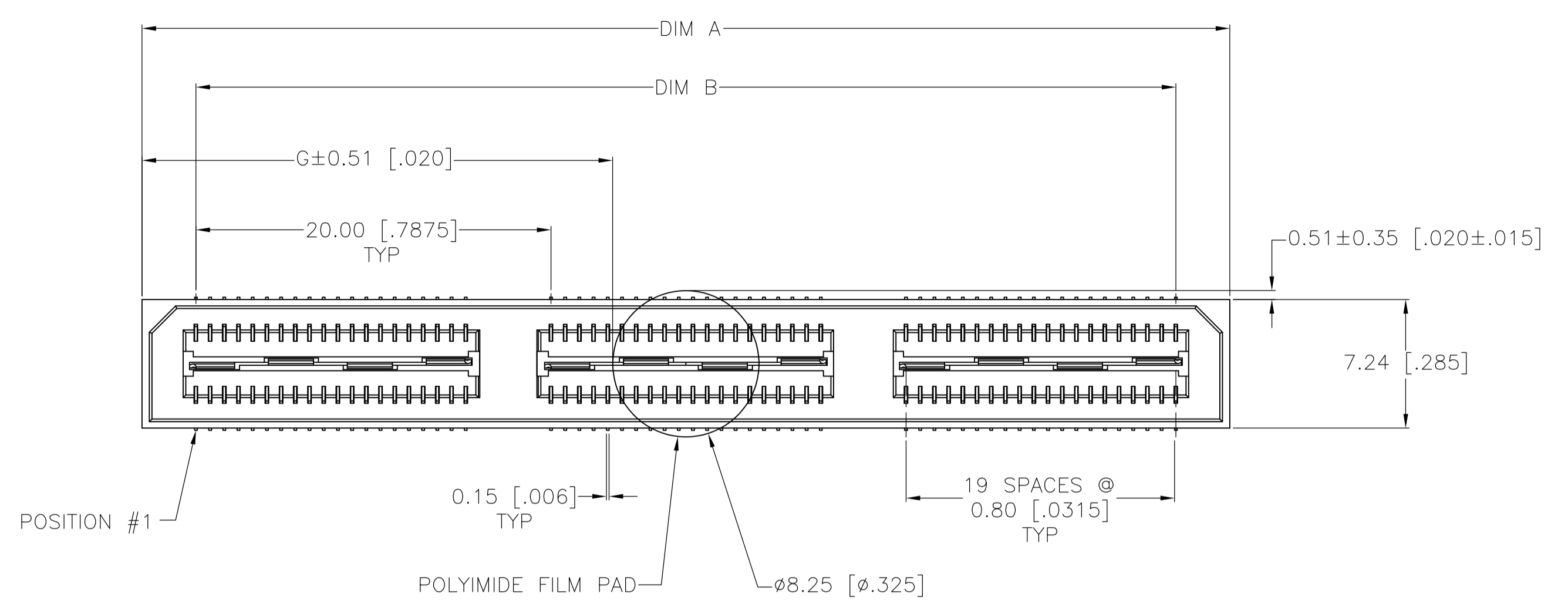
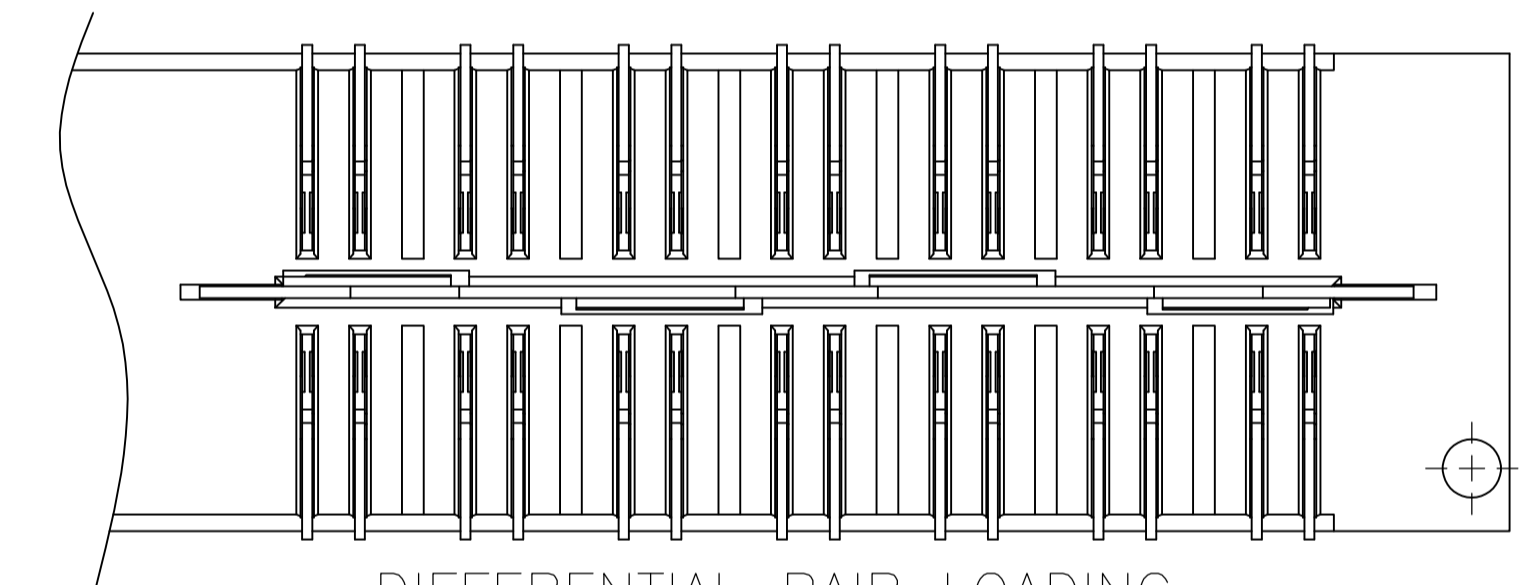
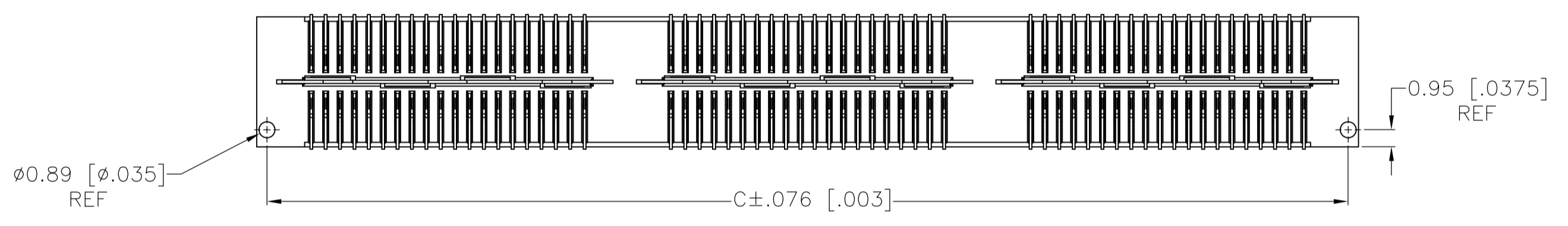


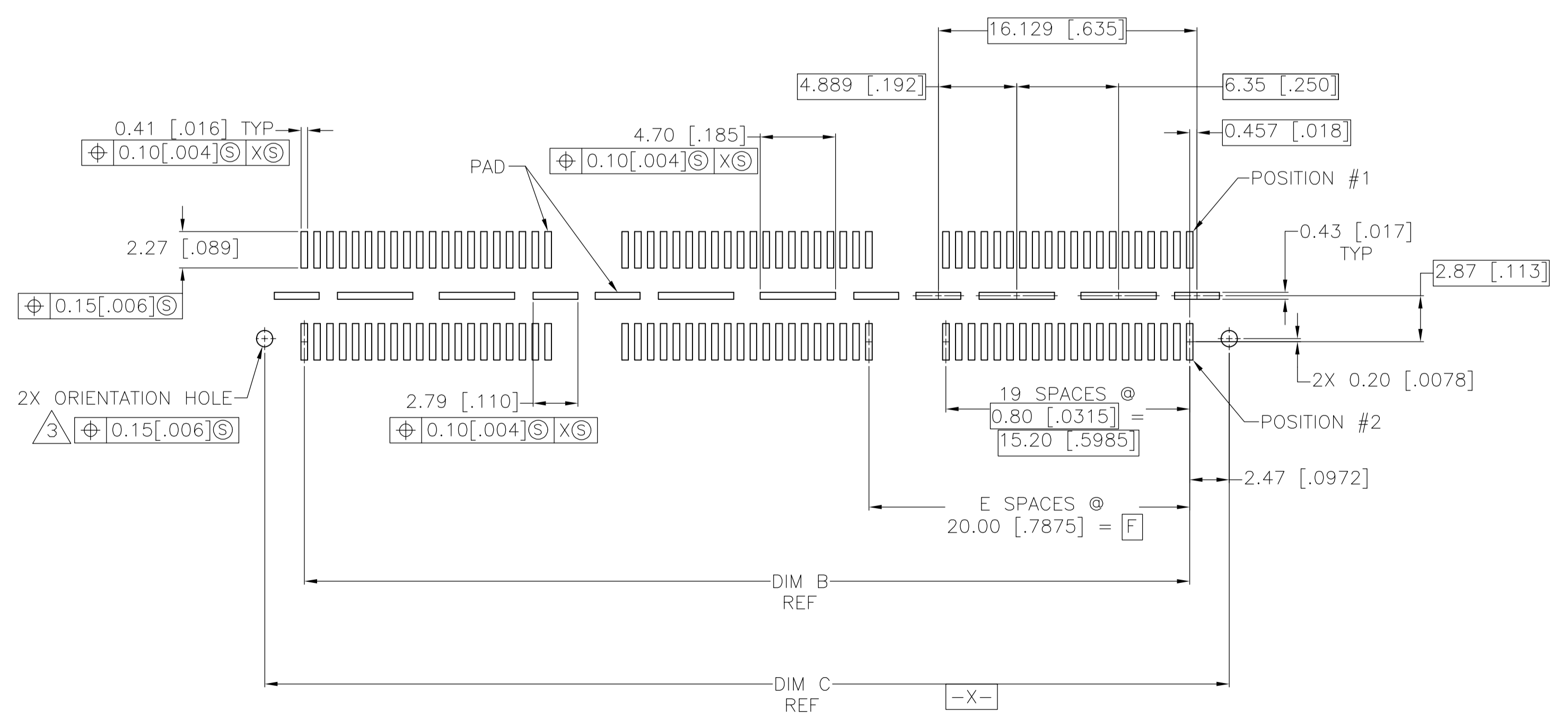
- 1 HOUSING: LCP, BLACK.
CONTACT & GROUND PLANE: PHOS BRONZE.
- 2 CONTACT PLATING: SELECT 0.25 MICROMETERS (.00010 IN) MIN. GOLD.
- 3 FOR STANDARD APPLICATIONS, ORIENTATION HOLE TO BE $\phi 1.02 [\phi 0.400]$.
- 4 OBSOLETE PARTS: OBSOLETE CIS STREAMLINING PER D.RENAUD/D.SINISI



SECTION A-A



DIFFERENTIAL PAIR LOADING (BOTTOM VIEW) SCALE 2:1



RECOMMENDED PC BOARD LAYOUT VIEWED FROM CONNECTOR SIDE

| OB | DIS | QTY | UNIT | DESCRIPTION | DATE | BY | CHKD | APPD | REVISIONS | NO OF POS | PART NUMBER |
|----|-----|-----|--------------|---------------|--------------|---------------|------|-------------|-----------|-----------|-------------|
| OB | DIS | 2 | 0.152(.0060) | 60.13(2.368) | 55.20(2.173) | 61.28(2.412) | YES | POCKET TAPE | YES | 84 | 7-1658012-3 |
| OB | DIS | 1 | 0.102(.0040) | 40.13(1.580) | 35.20(1.386) | 41.28(1.625) | YES | POCKET TAPE | YES | 56 | 7-1658012-2 |
| OB | DIS | 0 | 0.102(.0040) | 20.13(.793) | 15.20(.598) | 21.29(.838) | YES | POCKET TAPE | YES | 28 | 7-1658012-1 |
| OB | DIS | 2 | 0.152(.0060) | 60.13(2.368) | 55.20(2.173) | 61.28(2.412) | YES | POCKET TAPE | NO | 120 | 6-1658012-3 |
| OB | DIS | 1 | 0.102(.0040) | 40.13(1.580) | 35.20(1.386) | 41.28(1.625) | YES | POCKET TAPE | NO | 80 | 6-1658012-2 |
| OB | DIS | 0 | 0.102(.0040) | 20.13(.793) | 15.20(.598) | 21.29(.838) | YES | POCKET TAPE | NO | 40 | 6-1658012-1 |
| OB | DIS | 2 | 0.152(.0060) | 60.13(2.368) | 55.20(2.173) | 61.28(2.412) | NO | POCKET TAPE | YES | 84 | 5-1658012-3 |
| OB | DIS | 1 | 0.102(.0040) | 40.13(1.580) | 35.20(1.386) | 41.28(1.625) | NO | POCKET TAPE | YES | 56 | 5-1658012-2 |
| OB | DIS | 0 | 0.102(.0040) | 20.13(.793) | 15.20(.598) | 21.29(.838) | NO | POCKET TAPE | YES | 28 | 5-1658012-1 |
| OB | DIS | 2 | 0.152(.0060) | 60.13(2.368) | 55.20(2.173) | 61.28(2.412) | NO | POCKET TAPE | NO | 120 | 4-1658012-3 |
| OB | DIS | 1 | 0.102(.0040) | 40.13(1.580) | 35.20(1.386) | 41.28(1.625) | NO | POCKET TAPE | NO | 80 | 4-1658012-2 |
| OB | DIS | 0 | 0.102(.0040) | 20.13(.793) | 15.20(.598) | 21.29(.838) | NO | POCKET TAPE | NO | 40 | 4-1658012-1 |
| OB | DIS | 4 | 0.152(.0060) | 100.14(3.943) | 95.20(3.748) | 101.30(3.988) | YES | TRAY | YES | 140 | 3-1658012-5 |
| OB | DIS | 3 | 0.152(.0060) | 80.14(3.155) | 75.20(2.961) | 81.28(3.200) | YES | TRAY | YES | 112 | 3-1658012-4 |
| OB | DIS | 2 | 0.152(.0060) | 60.13(2.368) | 55.20(2.173) | 61.28(2.412) | YES | TRAY | YES | 84 | 3-1658012-3 |
| OB | DIS | 1 | 0.102(.0040) | 40.13(1.580) | 35.20(1.386) | 41.28(1.625) | YES | TRAY | YES | 56 | 3-1658012-2 |
| OB | DIS | 0 | 0.102(.0040) | 20.13(.793) | 15.20(.598) | 21.29(.838) | YES | TRAY | YES | 28 | 3-1658012-1 |
| OB | DIS | 4 | 0.152(.0060) | 100.14(3.943) | 95.20(3.748) | 101.30(3.988) | YES | TRAY | NO | 200 | 2-1658012-5 |
| OB | DIS | 3 | 0.152(.0060) | 80.14(3.155) | 75.20(2.961) | 81.28(3.200) | YES | TRAY | NO | 160 | 2-1658012-4 |
| OB | DIS | 2 | 0.152(.0060) | 60.13(2.368) | 55.20(2.173) | 61.28(2.412) | YES | TRAY | NO | 120 | 2-1658012-3 |
| OB | DIS | 1 | 0.102(.0040) | 40.13(1.580) | 35.20(1.386) | 41.28(1.625) | YES | TRAY | NO | 80 | 2-1658012-2 |
| OB | DIS | 0 | 0.102(.0040) | 20.13(.793) | 15.20(.598) | 21.29(.838) | YES | TRAY | NO | 40 | 2-1658012-1 |
| OB | DIS | 4 | 0.152(.0060) | 100.14(3.943) | 95.20(3.748) | 101.30(3.988) | NO | TRAY | YES | 140 | 1-1658012-5 |
| OB | DIS | 3 | 0.152(.0060) | 80.14(3.155) | 75.20(2.961) | 81.28(3.200) | NO | TRAY | YES | 112 | 1-1658012-4 |
| OB | DIS | 2 | 0.152(.0060) | 60.13(2.368) | 55.20(2.173) | 61.28(2.412) | NO | TRAY | YES | 84 | 1-1658012-3 |
| OB | DIS | 1 | 0.102(.0040) | 40.13(1.580) | 35.20(1.386) | 41.28(1.625) | NO | TRAY | YES | 56 | 1-1658012-2 |
| OB | DIS | 0 | 0.102(.0040) | 20.13(.793) | 15.20(.598) | 21.29(.838) | NO | TRAY | YES | 28 | 1-1658012-1 |
| OB | DIS | 4 | 0.152(.0060) | 100.14(3.943) | 95.20(3.748) | 101.30(3.988) | NO | TRAY | NO | 200 | 1658012-5 |
| OB | DIS | 3 | 0.152(.0060) | 80.14(3.155) | 75.20(2.961) | 81.28(3.200) | NO | TRAY | NO | 160 | 1658012-4 |
| OB | DIS | 2 | 0.152(.0060) | 60.13(2.368) | 55.20(2.173) | 61.28(2.412) | NO | TRAY | NO | 120 | 1658012-3 |
| OB | DIS | 1 | 0.102(.0040) | 40.13(1.580) | 35.20(1.386) | 41.28(1.625) | NO | TRAY | NO | 80 | 1658012-2 |
| OB | DIS | 0 | 0.102(.0040) | 20.13(.793) | 15.20(.598) | 21.29(.838) | NO | TRAY | NO | 40 | 1658012-1 |

THIS DRAWING IS A CONTROLLED DOCUMENT.

DIMENSIONS: mm [INCHES]

TOLERANCES UNLESS OTHERWISE SPECIFIED:

| | | |
|--------|---|--------------|
| 0 PL | ± | |
| 1 PL | ± | 0.3[.01] |
| 2 PL | ± | 0.15[.005] |
| 3 PL | ± | 0.05[.0020] |
| 4 PL | ± | 0.025[.0010] |
| ANGLES | ± | ° |

MATERIAL: 1 FINISH: 2

THIS DRAWING IS A CONTROLLED DOCUMENT. DIB: MCMMASTER 18OCT04. CJK: 18OCT04. APVD: D DIXON 18OCT04. NAME: RECEPACLE ASSEMBLY, VERTICAL 0.80MM CL. PRODUCT SPEC: APPLICATION SPEC. SIZE: A1. CASE CODE: 00779. DRAWING NO: 1658012. WEIGHT: 1. RESTRICTED TO: CUSTOMER DRAWING. SCALE: 4:1. SHEET: 1 OF 1. REV: M2.

Mouser Electronics

Authorized Distributor

Click to View Pricing, Inventory, Delivery & Lifecycle Information:

[TE Connectivity:](#)

[2-1658012-1](#)