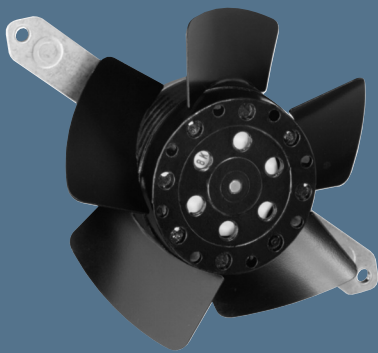


max. 147 m³/h

AC axial fans

Series 4600 TA 113 Ø x 37 mm

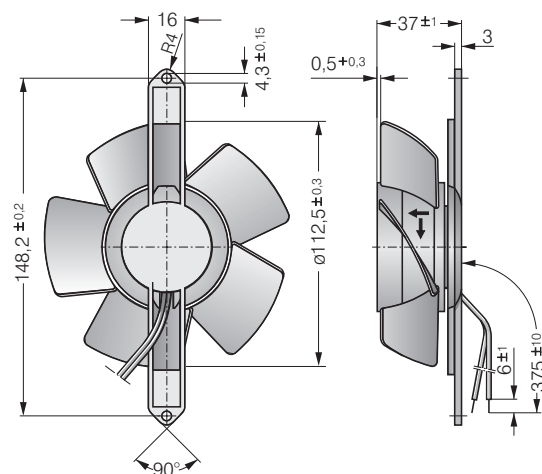


- AC fans with external rotor shaded-pole motor. Impedance protected against overloading.
- Impeller and mounting bracket of metal.
- Air intake over mounting bracket. Direction of rotation clockwise, seen on rotor.
- Electrical connection via 2 leads. Bared and tin-plated.
- Mass: 430 g.
- Please note our new ACmaxx series. With identical mounting dimensions and voltages, this series achieves higher energy efficiency.

Nominal data		Air flow	Air flow	Nominal voltage	Frequency	Sound pressure level	Sinter sleeve bearings Ball bearings	Power input	Nominal speed	Temperature range	Service life L ₁₀ at 40 °C	at T _{max}	Curve
Type		m ³ /h	CFM	V	Hz	dB(A)	□ / ■	Watts	RPM	°C	Hours	Hours	
4650 TA		138	81,2	230	50	41	□	19,0	2 550	-10...+45	37 500 / 32 500	-	-
4656 TA		138	81,2	230	50	42	■	19,0	2 550	-40...+75	37 500 / 17 500	-	-
4600 TA		147	86,5	115	60	43	□	18,0	2 900	-10...+50	40 000 / 32 500	-	-
4606 TA		147	86,5	115	60	44	■	18,0	2 900	-40...+80	40 000 / 17 500	-	-

The air flow and noise level of fans without external housing depends on the installation conditions. The stated air flow and noise has been measured with an orifice 109 mm Ø at a distance of approx. 17 mm from the mounting bracket. Under exceptionally favourable mounting conditions, the air flow of fan series 4600 N is achievable. The noise in the optimal operating range can only be measured for these fans in a specific application.

Fan type		Lead wires
4650 TA	4600 TA	AWG 22, TR 32
4656 TA	4606 TA	AWG 18



Mouser Electronics

Authorized Distributor

Click to View Pricing, Inventory, Delivery & Lifecycle Information:

[ebm-papst:](#)

[4600TA](#) [4606TA](#) [4650TA](#) [4656TA](#)