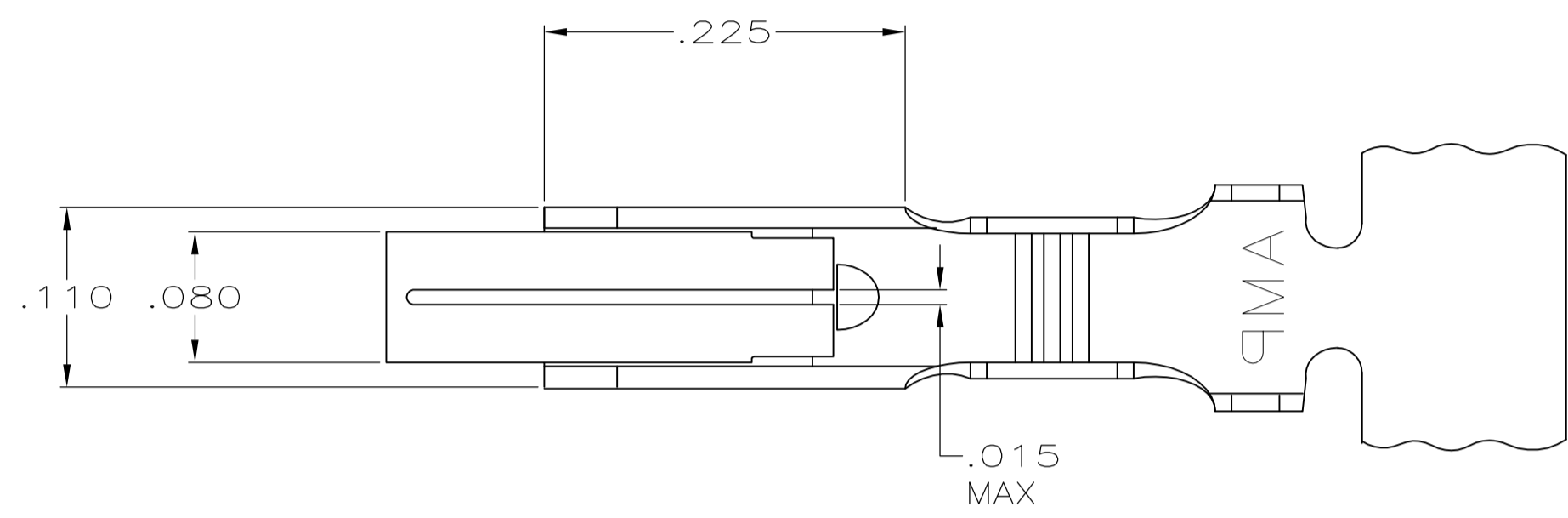
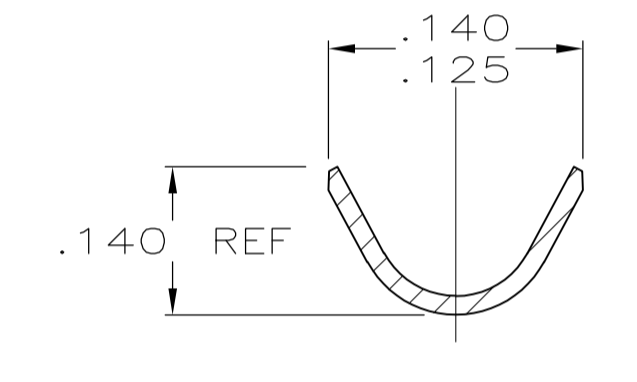
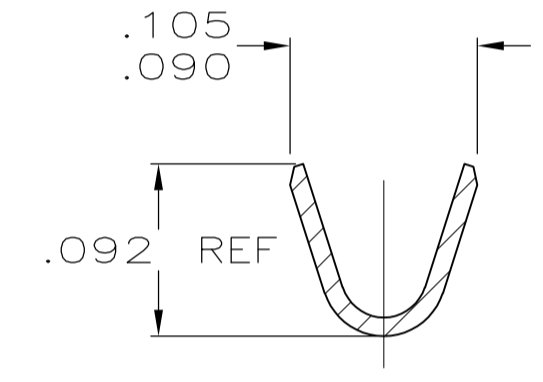
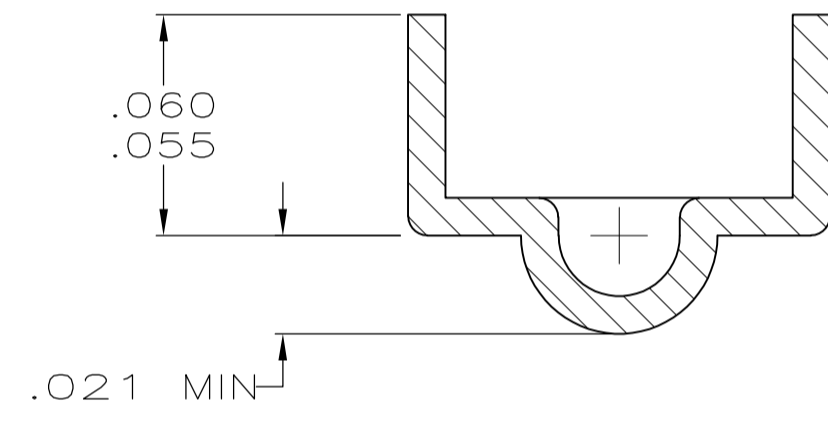


LOC	DIST	REVISIONS			
P	LTR	DESCRIPTION	DATE	DWN	APVD
CM	00	AS1	REVISED PER ECO-11-005027	11MAR11	RK HMR



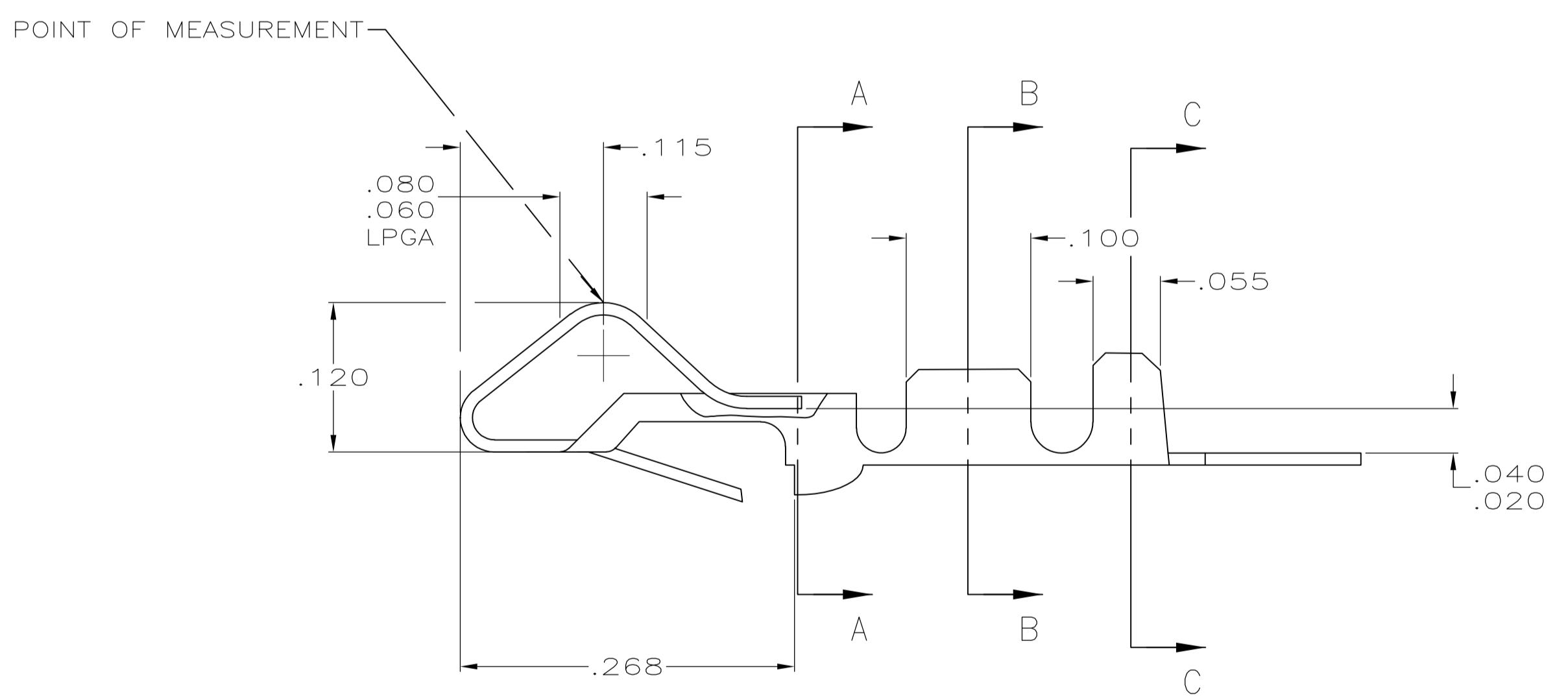
- 1 .000080 - .000200 TIN OVER .000050 MIN NICKEL
- 2 INSULATION RANGE: .100 DIA MAX. WIRE RANGE :24-18 AWG (0.02 - 0.9 MM²).
- 3 .000080 - .000200 TIN-LEAD OVER .000050 MIN NICKEL
- 4 .000050 NICKEL OVERALL WITH .000030 MIN GOLD IN THE LOCALIZED GOLD PLATE AREA (LGPA).



SECTION A-A
SCALE 20:1

SECTION B-B

SECTION C-C



NOTES	FINISH	MATERIAL	PART NO.
-	1	.012 BRASS	3-61668-1
-	4	.012 PH BRZ	61668-4
-	PRE-TIN	.012 PH BRZ	61668-2
-	3	.012 BRASS	61668-1

THIS DRAWING IS A CONTROLLED DOCUMENT.

DIMENSIONS: INCHES	TOLERANCES UNLESS OTHERWISE SPECIFIED:	DWN: S. CARPENTER 21AUG2003	CHK: J. ELLIS 21AUG2003	APVD: J. ELLIS 21AUG2003	NAME: J. ELLIS
0. PLC ±	1. PLC ±	STE TE Connectivity			
2. PLC ±	3. PLC ± .005	CONTACT, BIFURCATED LEAF			
4. PLC ±	ANGLES ±	APPLICATION SPEC			
MATERIAL: SEE TABLE	FINISH: SEE TABLE	WEIGHT: A1	SIZE: 00779	CAGE CODE: 61668	DRAWING NO: 61668
CUSTOMER DRAWING		SCALE: 10:1	SHEET: 1 of 1	REV: AS1	RESTRICTED TO: -

Mouser Electronics

Authorized Distributor

Click to View Pricing, Inventory, Delivery & Lifecycle Information:

[TE Connectivity:](#)

[3-61668-1](#)