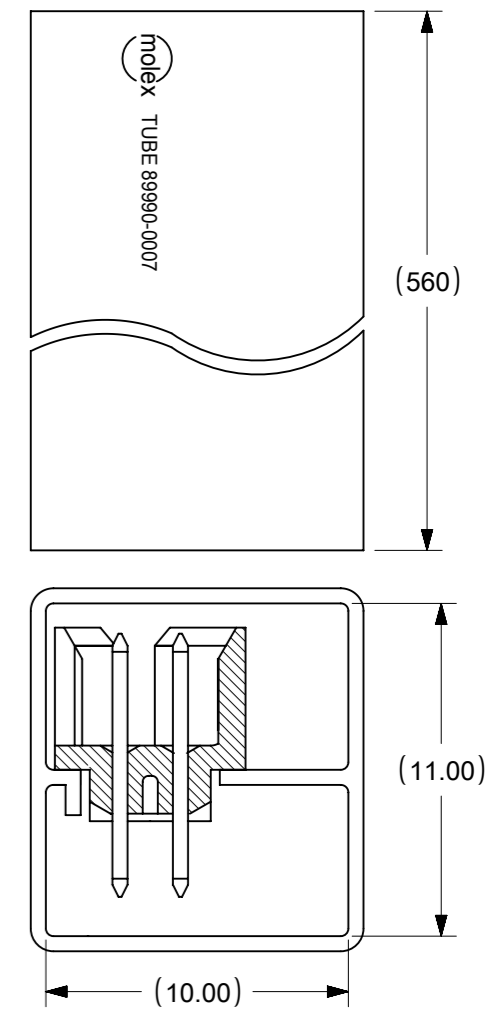
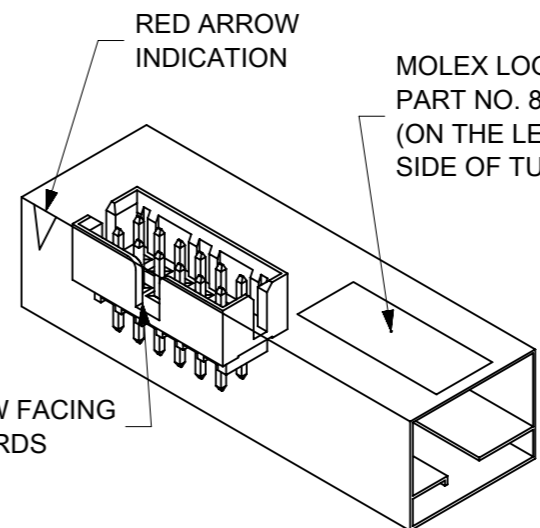
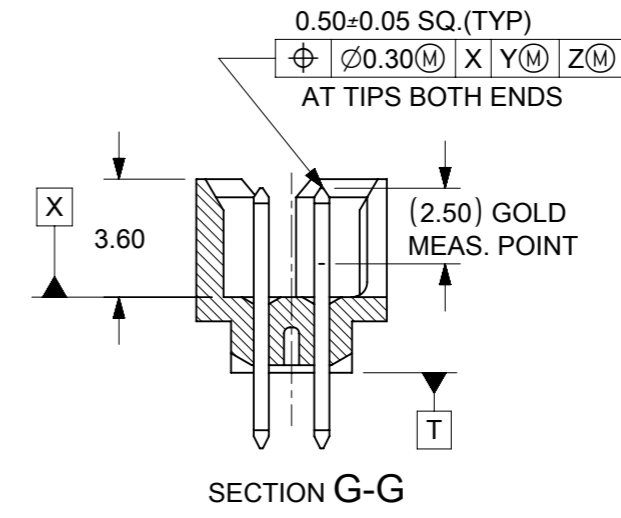
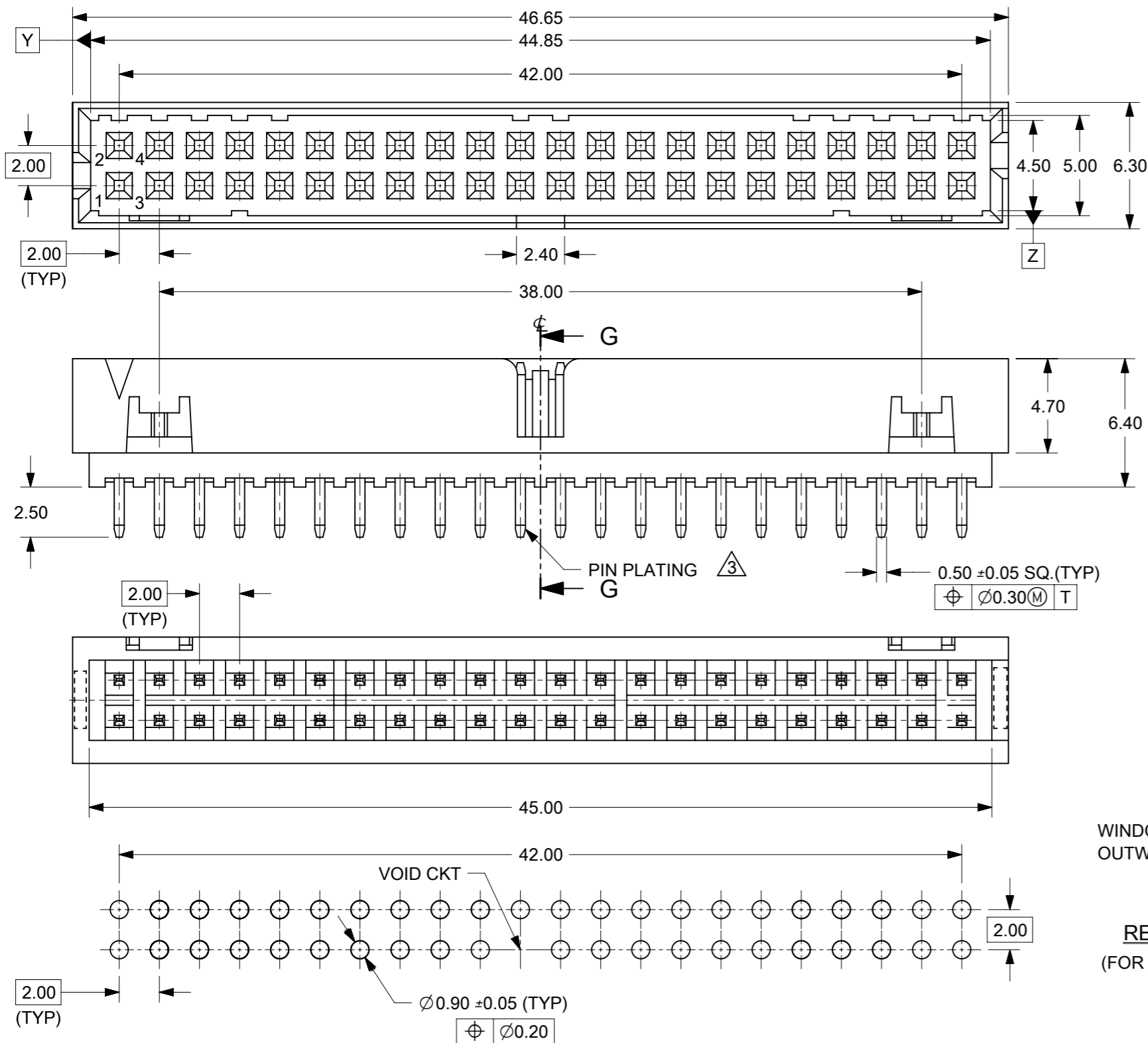


P/N IN TUBE	CKT SIZE	VOID(S) CKT
87831-7001	44	21



REF : ORIENTATION OF PART IN TUBE
(FOR THE REFERENCE OF PART/TUBE ASSEMBLY)

REF : ORIENTATION OF PART IN TUBE

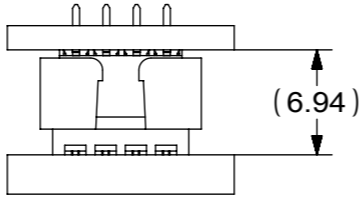
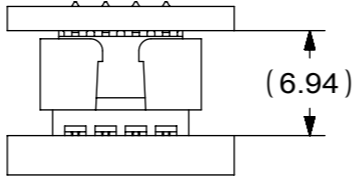
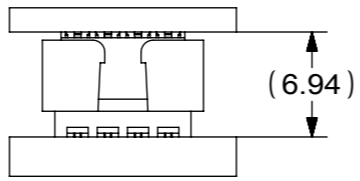
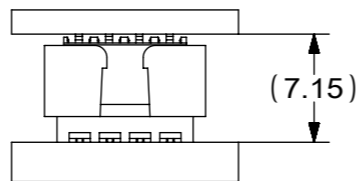
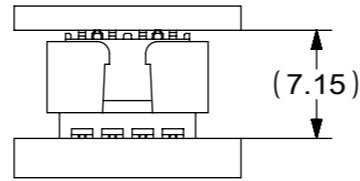
NOTES:

- MATERIAL :
HOUSING : 30% G.F., NYLON 46, UL94V-0, COLOR BLACK.
PIN : 0.50mm SQ. PHOSPHOR BRONZE.
- PRODUCT SPECIFICATION PS-87831-027 APPLIES.
- PLATING OPTIONS.
0.38µm/15µin GOLD IN CONTACT AREA AND 1.88µm/75µin MIN. TIN IN SOLDER TAIL AREA OVER 1.27µm/50µin MIN. NICKEL OVERALL.
- THIS HEADER MATES WITH MOLEX :
a) CRIMP RECEPTACLE HOUSING, 51110 SERIES WITH CRIMP TERMINAL, 50394 SERIES.
b) 2mm MILLIGRID DUAL ROW IDT, 87568 SERIES.
- PARTS TO BE PACKED IN TUBE WITH MOISTURE BARRIER BAG.

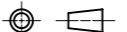
THIS DRAWING CONTAINS INFORMATION THAT IS PROPRIETARY TO MOLEX ELECTRONIC TECHNOLOGIES, LLC AND SHOULD NOT BE USED WITHOUT WRITTEN PERMISSION		CURRENT REV DESC: ADDED BTB DIST.		molex	
DIMENSION UNITS: mm		SCALE: NTS			
GENERAL TOLERANCES (UNLESS SPECIFIED)				MGRID, SHROUDED HEADER VERTICAL, W/VOID(S)	
4 PLACES ±		MM INCH		EC NO: 619055	
3 PLACES ±		±		DRWN: HK02 2019/05/21	
2 PLACES ±		0.2 ±		CHK'D: NMANE02 2019/07/09	
1 PLACE ±		±		APPR: MRAMAKRISHNA 2019/07/09	
0 PLACES ±		±		INITIAL REVISION:	
ANGULAR TOL ± 3.0°		± 3.0°		DRWN: ATSEE 2004/05/17	
DRAFT WHERE APPLICABLE MUST REMAIN WITHIN DIMENSIONS		THIRD ANGLE PROJECTION		APPR: SKTOH 2004/05/18	
DRAWING: A3-SIZE		SERIES: 87831		DOCUMENT NUMBER: SD-87831-028	
MATERIAL NUMBER: SEE TABLE		CUSTOMER: GENERAL MARKET		DOC TYPE: PSD	
SHEET NUMBER: 1 OF 2		REVISION: A5		DOC PART: 001	

REV A4 ORIGINALLY RELEASED BY ECM 170249

BOARD TO BOARD (BTB) DISTANCE

HEADER	MATES WITH (RECEPTACLE)	BTB DIST.	PICTORIAL VIEW
87831	79107	6.94	
	78787	6.94	
	79108	6.94	
	79109	7.15	
	78788	7.15	

THIS DRAWING CONTAINS INFORMATION THAT IS PROPRIETARY TO MOLEX ELECTRONIC TECHNOLOGIES, LLC AND SHOULD NOT BE USED WITHOUT WRITTEN PERMISSION

DIMENSION UNITS		SCALE		CURRENT REV DESC: ADDED BTB DIST.		molex		
mm		NTS						
GENERAL TOLERANCES (UNLESS SPECIFIED)				EC NO: 619055		MGRID, SHROUDED HEADER VERTICAL, W/VOID(S)		
		MM	INCH	DRWN: HK02 2019/05/21				
4 PLACES		±	±	CHK'D: NMANE02 2019/07/09		PRODUCT CUSTOMER DRAWING		
3 PLACES		±	±	APPR: MRAMAKRISHNA 2019/07/09				
2 PLACES		± 0.2	±	INITIAL REVISION:		DOCUMENT NUMBER		
1 PLACE		±	±	DRWN: DRWN BY XXXX/XX/XX				
0 PLACES		±	±	APPR: APPR BY XXXX/XX/XX		SD-87831-028		
ANGULAR TOL		± 3.0°						
DRAFT WHERE APPLICABLE MUST REMAIN WITHIN DIMENSIONS		THIRD ANGLE PROJECTION		DRAWING	SERIES	MATERIAL NUMBER	CUSTOMER	SHEET NUMBER
				A3-SIZE	87831		GENERAL MARKET	2 OF 2

Mouser Electronics

Authorized Distributor

Click to View Pricing, Inventory, Delivery & Lifecycle Information:

[Molex:](#)

[87831-7001](#)