

TPS6050x High-Efficiency, 250-mA Step-Down Charge Pump

1 Features

- Wide Input Voltage Range From 1.8 V to 6.5 V
- Regulated 3.3-V, 1.8-V, 1.5-V, or Adjustable Output Voltage
- Up to 250-mA Output Current
- Up to 90% Efficiency
- Output Voltage Tolerance 3% Over Line, Load, and Temperature Variation
- Device Quiescent Current Less Than 40 μ A
- Output Voltage Supervisor Included (Power Good)
- Internal Soft Start
- Load Isolated From Battery During Shutdown
- Overtemperature and Overcurrent Protected
- Micro-Small 10-Pin VSSOP Package
- EVM Available, TPS60500EVM-193

2 Applications

- Mobile Phones
- Portable Instruments
- Internet Audio Player
- PC Peripherals
- USB Powered Applications

3 Description

The TPS6050x devices are a family of switched capacitor voltage converters, designed specifically for space-critical battery-powered applications.

The TPS6050x step-down charge pumps generate a regulated, fixed 3.3-V, 1.8-V, 1.5-V, or adjustable output voltage. Only four small ceramic capacitors are required to build a complete high-efficiency DC–DC charge pump converter. To achieve the high efficiency over a wide input voltage range, the charge pump automatically selects between three different conversion modes. The output can deliver a maximum of 250-mA output current. The power good function supervises the output voltage and goes high when the output voltage rises to 97% of the nominal value.

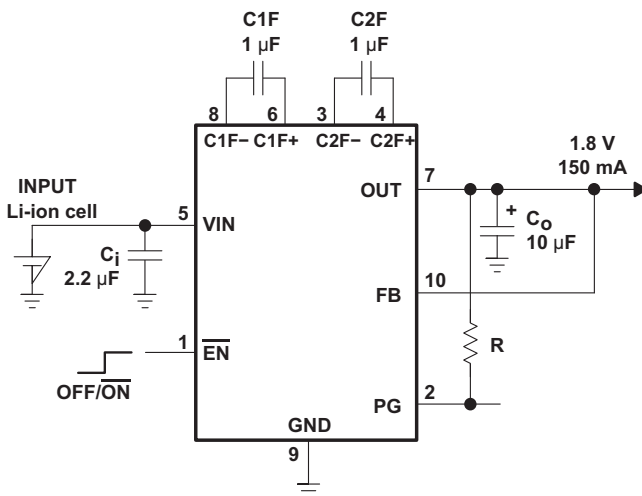
The TPS6050x devices come in a micro-small 10-pin VSSOP package.

Device Information⁽¹⁾

| PART NUMBER | PACKAGE | BODY SIZE (NOM) |
|-------------|------------|-------------------|
| TPS60500 | VSSOP (10) | 3.05 mm x 4.98 mm |
| TPS60501 | | |
| TPS60502 | | |
| TPS60503 | | |

(1) For all available packages, see the orderable addendum at the end of the data sheet.

Typical Application Schematic



Efficiency vs Input Voltage

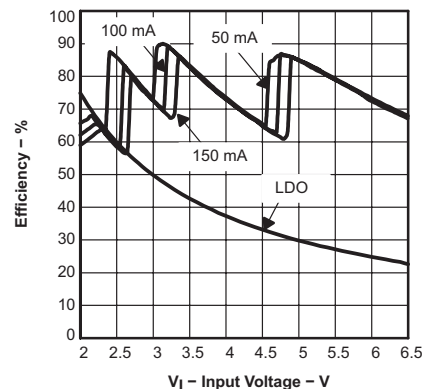


Table of Contents

| | | | |
|--|----------|--|-----------|
| 1 Features | 1 | 8.4 Device Functional Modes..... | 8 |
| 2 Applications | 1 | 9 Application and Implementation | 11 |
| 3 Description | 1 | 9.1 Application Information..... | 11 |
| 4 Revision History | 2 | 9.2 Typical Applications | 11 |
| 5 Device Comparison Table | 3 | 9.3 System Examples | 17 |
| 6 Pin Configuration and Functions | 3 | 10 Power Supply Recommendations | 21 |
| 7 Specifications | 4 | 11 Layout | 21 |
| 7.1 Absolute Maximum Ratings | 4 | 11.1 Layout Guidelines | 21 |
| 7.2 ESD Ratings | 4 | 11.2 Layout Examples..... | 21 |
| 7.3 Recommended Operating Conditions..... | 4 | 12 Device and Documentation Support | 23 |
| 7.4 Thermal Information | 4 | 12.1 Device Support..... | 23 |
| 7.5 Electrical Characteristics..... | 5 | 12.2 Related Links | 23 |
| 7.6 Typical Characteristics..... | 6 | 12.3 Community Resources..... | 23 |
| 8 Detailed Description | 7 | 12.4 Trademarks | 23 |
| 8.1 Overview | 7 | 12.5 Electrostatic Discharge Caution..... | 23 |
| 8.2 Functional Block Diagram | 7 | 12.6 Glossary | 23 |
| 8.3 Feature Description..... | 7 | 13 Mechanical, Packaging, and Orderable Information | 23 |

4 Revision History

NOTE: Page numbers for previous revisions may differ from page numbers in the current version.

Changes from Revision B (February 2002) to Revision C

Page

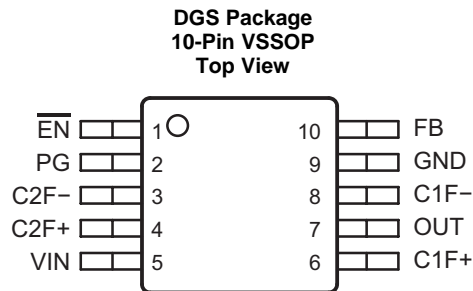
- Added *Pin Configuration and Functions* section, *ESD Ratings* table, *Feature Description* section, *Device Functional Modes*, *Application and Implementation* section, *Power Supply Recommendations* section, *Layout* section, *Device and Documentation Support* section, and *Mechanical, Packaging, and Orderable Information* section **1**

5 Device Comparison Table

| PART NUMBER ⁽¹⁾ | OUTPUT VOLTAGE [V] | MINIMUM INPUT VOLTAGE FOR $I_{OUT} = 150 \text{ mA}$ |
|----------------------------|-----------------------------|--|
| TPS60500DGS | Adjustable (0.8 V to 3.3 V) | $V_{IN} > V_{OUT} + 1$ |
| TPS60501DGS | 3.3 | $V_{IN} > 4.3 \text{ V}$ |
| TPS60502DGS | 1.8 | $V_{IN} > 2.8 \text{ V}$ |
| TPS60503DGS | 1.5 | $V_{IN} > 2.5 \text{ V}$ |

(1) The DGS package is available taped and reeled. Add R suffix to device type (for example, TPS60500DGSR) to order quantities of 2500 devices per reel.

6 Pin Configuration and Functions



Pin Functions

| PIN | | I/O | DESCRIPTION |
|------------------------|-----|-----|--|
| NAME | NO. | | |
| C1F+ | 6 | – | Positive terminal of the flying capacitor C1F |
| C1F– | 8 | – | Negative terminal of the flying capacitor C1F |
| C2F+ | 4 | – | Positive terminal of the flying capacitor C2F |
| C2F– | 3 | – | Negative terminal of the flying capacitor C2F |
| $\overline{\text{EN}}$ | 1 | I | Device-enable Input. – $\overline{\text{EN}}$ = High disables the device. Output and input are isolated in shutdown mode. – $\overline{\text{EN}}$ = Low enables the device. |
| GND | 9 | – | Ground |
| FB | 10 | O | TPS60500: connect via voltage divider to V_O TPS60501 to TPS60503: connect directly to V_O |
| OUT | 7 | O | Regulated 3.3 V, 1.8 V, 1.5 V, or adjustable power output Bypass OUT to GND with the output filter capacitor C_O . |
| PG | 2 | O | Open drain power good detector output. As soon as the voltage on OUT reaches about 97% of its nominal value this pin goes high. |
| VIN | 5 | I | Supply Input. Connect to an input supply in the 1.8-V to 6.5-V range. |

7 Specifications

7.1 Absolute Maximum Ratings

Over operating free-air temperature range (unless otherwise noted) ⁽¹⁾

| | MIN | MAX | UNIT |
|--|------|-----|------|
| Voltage at VIN, \overline{EN} , PG to GND ⁽²⁾ | -0.3 | 7 | V |
| Voltage at OUT, FB to GND | -0.3 | 3.6 | V |
| Voltage at C1F+, C1F-, C2F+, C2F- to GND | -0.3 | 7 | V |
| Output current at OUT | | 300 | mA |
| T _J Maximum junction temperature | | 150 | °C |
| T _{stg} Storage temperature | -55 | 150 | °C |

- Stresses beyond those listed under *Absolute Maximum Ratings* may cause permanent damage to the device. These are stress ratings only, which do not imply functional operation of the device at these or any other conditions beyond those indicated under *Recommended Operating Conditions*. Exposure to absolute-maximum-rated conditions for extended periods may affect device reliability.
- The voltage at EN, and PG can exceed VIN up to the maximum rated voltage without increasing the leakage current drawn by these mode select inputs.

7.2 ESD Ratings

| | VALUE | UNIT |
|--|--|-------|
| V _(ESD) Electrostatic discharge | Human body model (HBM), per ANSI/ESDA/JEDEC JS-001 ⁽¹⁾ | ±2000 |
| | Charged-device model (CDM), per JEDEC specification JESD22-C101 ⁽²⁾ | ±500 |

- JEDEC document JEP155 states that 500-V HBM allows safe manufacturing with a standard ESD control process.
- JEDEC document JEP157 states that 250-V CDM allows safe manufacturing with a standard ESD control process.

7.3 Recommended Operating Conditions

Over operating free-air temperature range (unless otherwise noted)

| | MIN | NOM | MAX | UNIT |
|---|---|-----|-----|------|
| V _{IM} Input voltage at VIN | 1.8 | | 6.5 | V |
| I _{OUT} Output current at OUT | | | 250 | mA |
| C _{IN} Input capacitor | 2.2 | | | μF |
| C1F, C2F Flying capacitors | | 1 | | μF |
| Output capacitor | C _{OUT} for I _{OUT} ≤ 150 mA | 4.7 | | μF |
| | C _{OUT} for 150 mA < I _{OUT} < 250 mA | 22 | | |
| T _J Operating junction temperature | -40 | | 125 | °C |

7.4 Thermal Information

| THERMAL METRIC ⁽¹⁾ | TPS6050x | UNIT |
|--|-------------|------|
| | DGS (VSSOP) | |
| | 10 PINS | |
| R _{θJA} Junction-to-ambient thermal resistance | 157 | °C/W |
| R _{θJC(top)} Junction-to-case (top) thermal resistance | 53 | °C/W |
| R _{θJB} Junction-to-board thermal resistance | 76 | °C/W |
| Ψ _{JT} Junction-to-top characterization parameter | 5.5 | °C/W |
| Ψ _{JB} Junction-to-board characterization parameter | 75 | °C/W |
| R _{θJC(bot)} Junction-to-case (bottom) thermal resistance | — | °C/W |

- For more information about traditional and new thermal metrics, see the *Semiconductor and IC Package Thermal Metrics* application report, [SPRA953](#).

7.5 Electrical Characteristics

at $C_{IN} = 4.7 \mu\text{F}$, $C1F = C2F = 1 \mu\text{F}$, $C_{OUT} = 10 \mu\text{F}$, $T_A = -40^\circ\text{C}$ to 85°C , $V_{IN} = 5 \text{ V}$, $V_{(EN)} = \text{GND}$ (unless otherwise noted)

| PARAMETER | | TEST CONDITIONS | MIN | TYP | MAX | UNIT | |
|-----------------------------------|--|--|---|---|---------------------|------------------|----|
| V_{IN} | Supply voltage | | 1.8 | | 6.5 | V | |
| I_{OUT} | Maximum output current | $V_{IN} = 1.8 \text{ V}$ to 2.7 V , $V_{IN} - V_{OUT} > 1 \text{ V}$ | 50 | | | mA | |
| | | $V_{IN} \geq 2.7 \text{ V}$, $V_{IN} - V_{OUT} > 1 \text{ V}$ | 150 | | | | |
| | | $V_{OUT} = 1.5 \text{ V}$, $V_{IN} \geq 3.1 \text{ V}$ | 250 | | | | |
| | | $V_{IN} \geq 3.7 \text{ V}$, $1.8 \text{ V} \leq V_{OUT} \leq 2.5 \text{ V}$ | 250 | | | | |
| | | $V_{OUT} > 2.5 \text{ V}$, $V_{IN} > V_{OUT} + 1.2 \text{ V}$ | 250 | | | | |
| V_{OUT} | Output voltage | TPS60500 | $V_{IN} > 2.7 \text{ V}$; $V_{IN} - V_{OUT} > 1 \text{ V}$ at $I_{OUT} \leq 150 \text{ mA}$, | 0.8 | | V | |
| | | TPS60501 | | 3.3 | | | |
| | | TPS60502 | | 1.8 | | | |
| | | TPS60503 | | 1.5 | | | |
| $V_{(FB)}$ | Feedback voltage | TPS60500 | | 0.8 | | V | |
| | Tolerance of output voltage | TPS60501 | $I_{OUT} = 0 \text{ mA}$ to 150 mA , $C_{OUT} = 47 \mu\text{F}$ | -4% | | 3% | |
| | | TPS60500 | | | | 3% | |
| | | TPS60502 | | $I_{OUT} = 0 \text{ mA}$ to 150 mA , $C_{OUT} = 10 \mu\text{F}$ | | | 4% |
| | | TPS60503 | | $I_{OUT} = 0 \text{ mA}$ to 250 mA , $C_{OUT} = 47 \mu\text{F}$ | | | 4% |
| V_{pp} | Output voltage ripple at OUT | $I_{OUT} = 150 \text{ mA}$, $V_{OUT} = 1.5 \text{ V}$ | | 30 | | mV _{PP} | |
| I_Q | Quiescent current (no-load input current) | $I_{OUT} = 0 \text{ mA}$ | | 40 | 75 | μA | |
| $T_{(SD)}$ | Thermal shutdown temperature | | | 150 | | $^\circ\text{C}$ | |
| $I_{OUT(SD)}$ | Shutdown supply current | $V_{(EN)} = V_{IN}$ | | 0.05 | 0.5 | μA | |
| $f_{(OSC)}$ | Internal switching frequency | | 600 | 800 | 1200 | kHz | |
| V_{IL} | $\overline{\text{EN}}$ input low voltage | | | | $0.3 \times V_{IN}$ | V | |
| V_{IH} | $\overline{\text{EN}}$ input high voltage | | $0.7 \times V_{IN}$ | | | V | |
| $I_{lkg(SD)}$ | $\overline{\text{EN}}$ input leakage current | $V_{(EN)} = 0 \text{ V}$ or V_{IN} | | 0.01 | 0.1 | μA | |
| $I_{lkg(FB)}$ | FB input leakage current | TPS60500 | | | 0.1 | μA | |
| $R_{(max)}$ | Maximum resistance of the external voltage divider | TPS60500 | R1 + R2 at FB pin | | 1 | M Ω | |
| | Short circuit current (start-up current) | $V_{IN} = 6.5 \text{ V}$, $V_{OUT} = 0 \text{ V}$ | 100 | 300 | | mA | |
| | Output current limit | $V_{OUT} > 0.6 \text{ V}$ | | 500 | | mA | |
| | No load start-up time | | | 80 | | μs | |
| FOR POWER GOOD COMPARATOR: | | | | | | | |
| $V_{(PG)}$ | Power good trip voltage | See (1) | | $V_{ml} - 2\%$ | | V | |
| $t_{d,r}$ | Power good delay time | V_{OUT} ramping positive | 100 | | 200 | μs | |
| $t_{d,f}$ | | V_{OUT} ramping negative | 50 | | 100 | μs | |
| V_{OL} | Power good output voltage low | $V_{OUT} = 0 \text{ V}$, $I_{(PG)} = 1 \text{ mA}$ | | | 0.3 | V | |
| I_{lkg} | Power good leakage current | $V_{OUT} = 3.3 \text{ V}$, $V_{(PG)} = 3.3 \text{ V}$ | | 0.01 | 0.1 | μA | |

(1) V_{ml} is the output voltage at the maximum load current. V_{ml} is not a JEDEC symbol.

7.6 Typical Characteristics

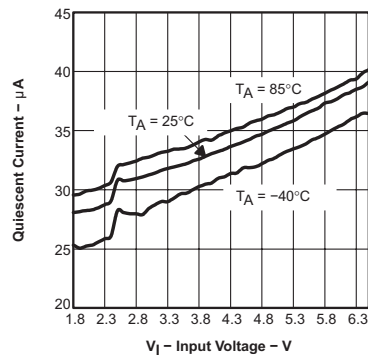


Figure 1. Quiescent Current vs Input Voltage

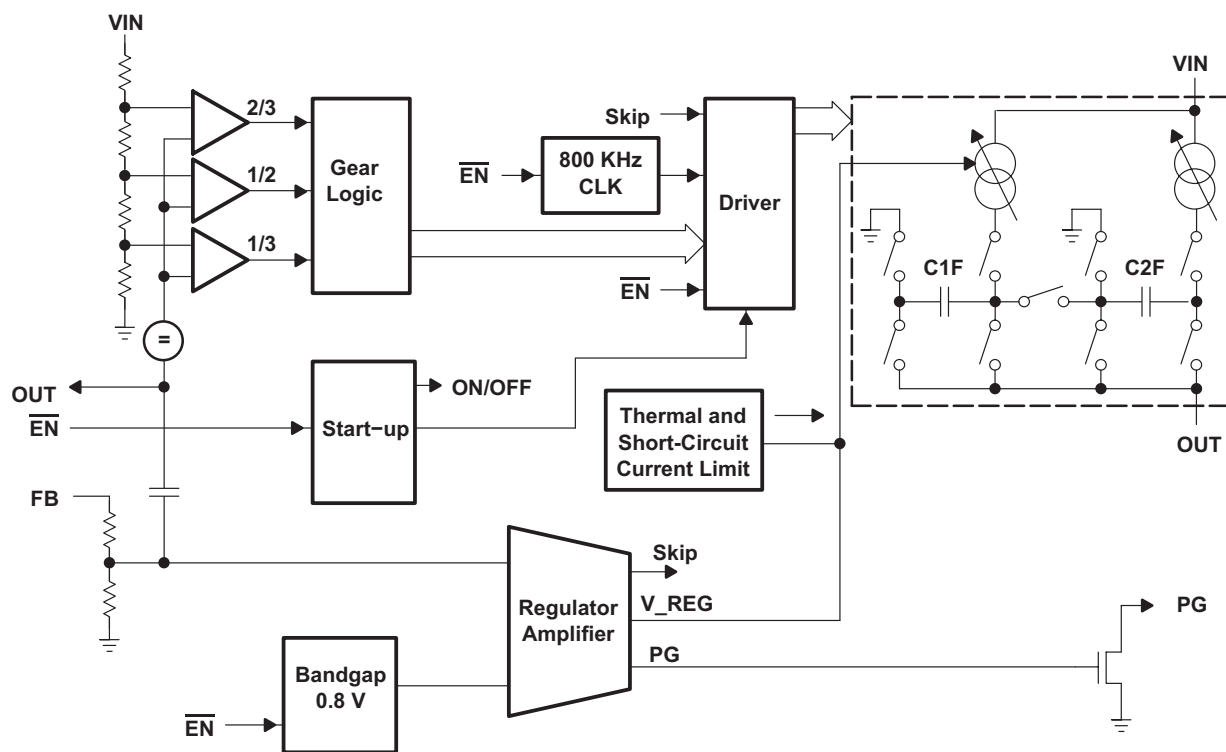
8 Detailed Description

8.1 Overview

The TPS6050x charge pumps provide a regulated output voltage in the range of 0.8 V to 3.3 V from an input voltage of 1.8 V to 6.5 V. The devices use switched capacitor fractional conversion to achieve high efficiency over the entire input and output voltage range. Regulation is achieved by sensing the output voltage and enabling the internal switches as needed to maintain the selected output voltage. This skip-mode regulation is used over a load range from 0 mA to 150 mA. At a higher output current, the device works in a linear regulation mode.

The TPS6050x circuits consist of an oscillator, a voltage reference, an internal resistive feedback circuit (fixed-voltage version only), an error amplifier, two charge pump stages with MOSFET switches, a shutdown or start-up circuit, and a control circuit.

8.2 Functional Block Diagram



8.3 Feature Description

8.3.1 Short-Circuit Current Limit and Thermal Protection

When the output voltage is lower than 0.6 V, the output current is limited to 300 mA typically.

The device also has a thermal protection which reduces the output current when the temperature of the chip exceeds 150°C. The output current declines to 0 mA when the chip temperature rises to 160°C.

8.3.2 Enable

Driving \overline{EN} high disables the converter. This disables all internal circuits, reducing input current to only 0.05 μA . Leakage current drawn from the output pin OUT is a maximum of 1 μA . The device exits shutdown once \overline{EN} is set low (see [Start-up Procedure](#)). The typical no-load start-up time is 80 μs . When the device is disabled, the load is isolated from the input, an important feature in battery-operated products because it extends the battery shelf life.

Feature Description (continued)

8.3.3 Power Good Detector

The power good (PG) output is an open-drain output on all TPS6050x devices. The PG output pulls low when the output is out of regulation. When the output rises above 97% nominal V_{out} , the power good output is pulled high by resistor. In shutdown, power good is pulled low. In normal operation, an external pullup resistor is typically used to connect the PG pin to V_{OUT} or V_{IN} . If the PG output is not used, it should remain unconnected.

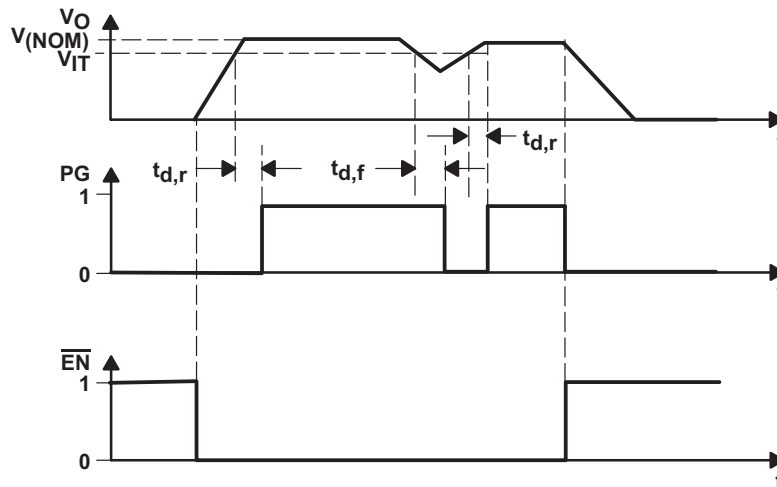


Figure 2. Power Good Timing Diagram

8.4 Device Functional Modes

8.4.1 Start-up Procedure

The device is enabled when \overline{EN} is set from logic high to logic low. The charge pump stages immediately start switching to transfer energy to the output. In start-up until the output voltage has reached 0.6 V, the input current is limited to 300 mA typically.

8.4.2 Conversion Modes

The TPS6050x devices use fractional conversion to achieve high efficiency over a wide input and output voltage range. Depending on the input to output voltage ratio and output current, internal circuitry switches between an LDO mode, a 2/3x mode, a 0.5x mode, and a 1/3x mode.

8.4.2.1 LDO Conversion Mode

In the LDO mode, the flying capacitors are no longer used for transferring energy. The switches 1, 2, 5, and 6 are closed and connect the input directly with the output. This mode is automatically selected if the input to output voltage ratio does not allow the use of another conversion mode with higher efficiency. In LDO mode, the regulation is done by switching off MOSFET 2 and 6 until the output current reaches the *linear-skip* current (150 mA typical). At a higher output current, the output voltage is regulated by controlling the resistance of the switch. The minimum input to output voltage difference required for regulation is 1 V.

Device Functional Modes (continued)

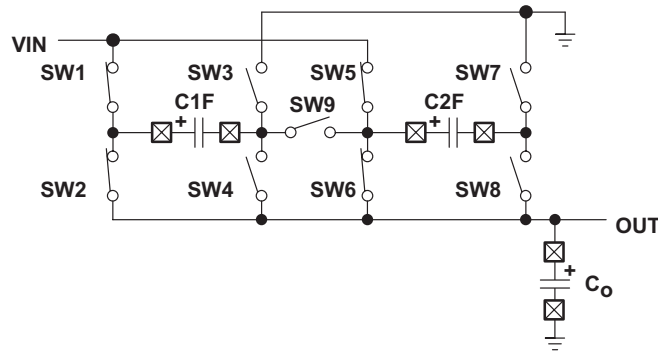


Figure 3. LDO Conversion Mode

8.4.2.2 2/3x Conversion Mode

In the first cycle, the two flying capacitors are connected in parallel and are charged up in series with the output capacitor. In the second cycle, the flying capacitors are connected in series. This mode provides higher efficiency than the LDO mode because the current into VIN is only 2/3 of the output current. The mode is automatically selected if the input voltage is higher than 3/2 of the selected output voltage.

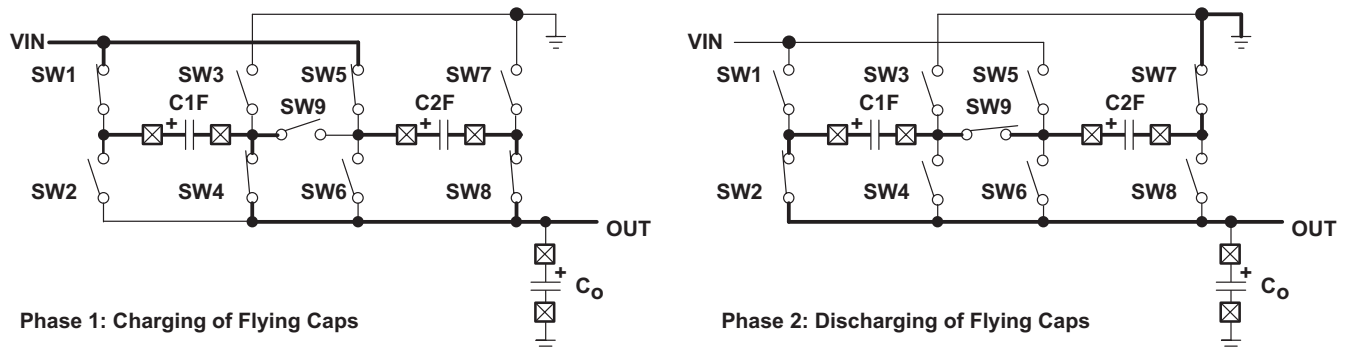


Figure 4. 2/3x Conversion Mode

Device Functional Modes (continued)

8.4.2.3 0.5x Conversion Mode

This conversion mode is internally selected if the input to output voltage ratio is greater than two (for example, 3.6-V to 1.5-V conversion). In the 0.5x mode, the flying capacitors and the switches always work in parallel, which reduces the resistance of the circuit compared to the other modes. In the first cycle, the flying capacitors are charged in series with the output capacitors. In the second cycle, the flying capacitors are connected in parallel with the output capacitor, which discharges the flying capacitors.

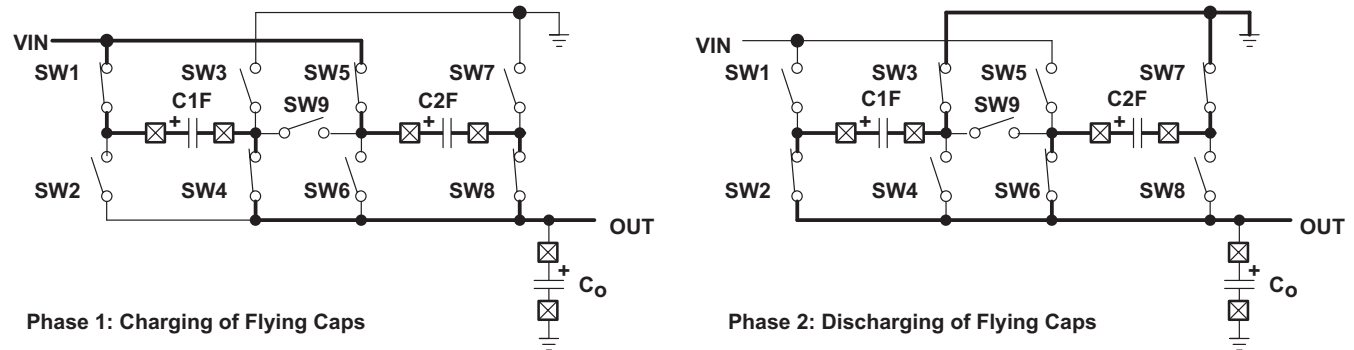


Figure 5. 0.5x Conversion Mode

8.4.2.4 1/3x Conversion Mode

This mode was implemented to provide high efficiency even with an input to output voltage ratio greater than three (for example, 5-V to 1.5-V conversion). In the first cycle, the two flying capacitors are charged in series with the output capacitor. In the next step, the flying capacitors which are charged to $V_{IN}/3$, are connected in parallel to the output capacitor.

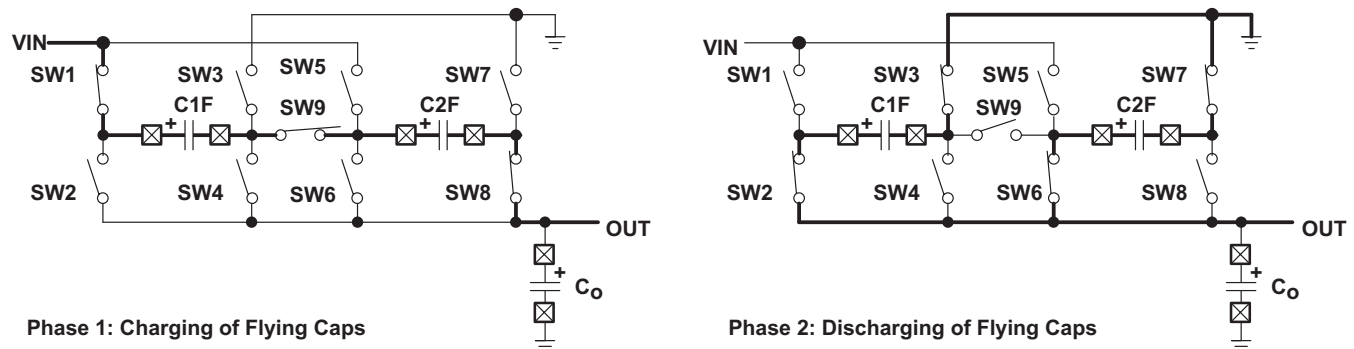


Figure 6. 1/3x Conversion Mode

9 Application and Implementation

NOTE

Information in the following applications sections is not part of the TI component specification, and TI does not warrant its accuracy or completeness. TI's customers are responsible for determining suitability of components for their purposes. Customers should validate and test their design implementation to confirm system functionality.

9.1 Application Information

The TPS6050x devices are switched capacitor voltage converters providing fractional conversion to achieve high efficiency over a wide input and output voltage range. They support regulated output voltages of 3.3 V, 1.8 V and 1.5 V or adjustable output voltages from a 1.8-V to 6.5-V input voltage range.

9.2 Typical Applications

9.2.1 Typical Application Circuit for Fixed-Voltage and Adjustable-Voltage Versions

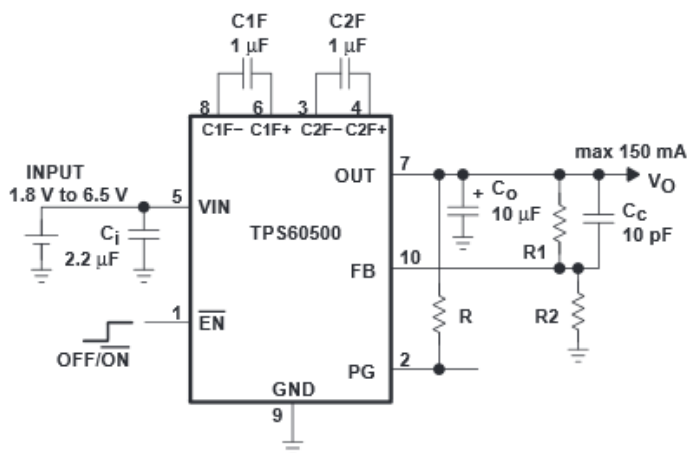


Figure 7. Typical Operating Circuit – TPS60500, Adjustable Output Voltage

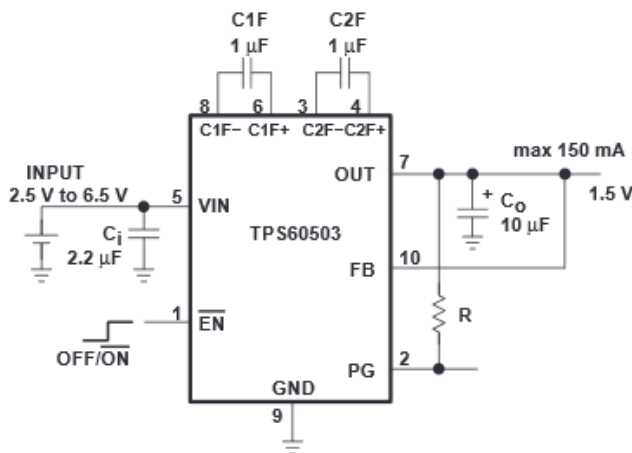


Figure 8. Typical Operating Circuit – TPS60503, Maximum 150-mA Output Current

Typical Applications (continued)

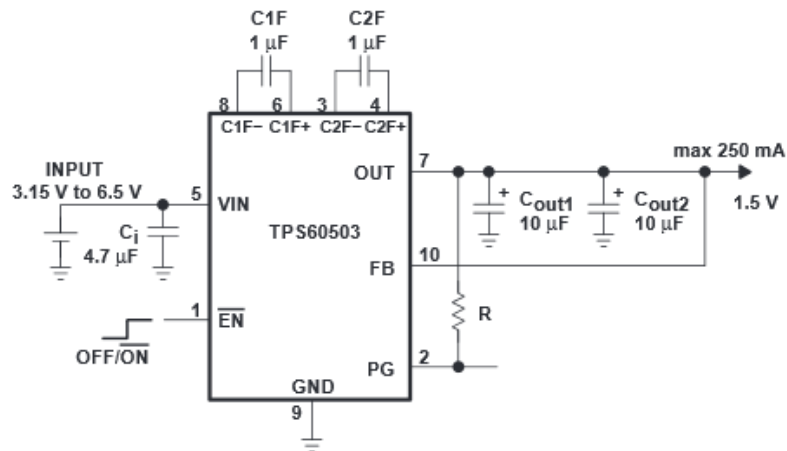


Figure 9. Typical Operating Circuit – TPS60503, Maximum 250-mA Output Current

9.2.1.1 Design Requirements

The [Detailed Design Procedure](#) provides a component selection to operate the device within the recommended operating conditions.

[Figure 7](#), [Figure 8](#) and [Figure 9](#) show the typical operation circuits. The TPS60501 to TPS60503 devices use an internal resistor divider for sensing the output voltage. The FB pin must be connected externally with the output. For maximum output current and best performance, four ceramic capacitors are recommended. For lower currents or higher allowed output voltage ripple, other capacitors can also be used. TI recommends that the minimum value of the output capacitor be 4.7 μF . This value is necessary to maintain a stable operation of the system. Flying capacitors lower than 1 μF can be used, but this decreases the maximum output power. This means that the device works in linear mode with lower output currents. The device works in the linear mode for an output current of greater than 150 mA. With an output current greater than 150 mA, an output capacitor of $\geq 22 \mu\text{F}$ must be used. [Figure 9](#) shows that two 10- μF capacitors can also be used in parallel.

9.2.1.2 Detailed Design Procedure

9.2.1.2.1 Capacitor Selection

Designed specifically for space-critical battery-powered applications, the complete converter requires only four external capacitors. The capacitor values are closely linked to the required output current, output noise, and ripple requirements. The input capacitor improves system efficiency by reducing the input impedance, and it also stabilizes the input current. The value of the output capacitor, C_O , influences the stability of the voltage regulator. The minimum required capacitance for C_O is 4.7 μF . Depending on the maximum allowed output ripple voltage and load current, larger values can be chosen. For an output current greater than 150 mA, a minimum output capacitor of 22 μF is required. [Table 2](#) shows ceramic capacitor values recommended for low output voltage ripple.

Table 1. Recommended Capacitor Values

| $I_{OUT, MAX}$ [mA] | C_{IN} [μF] | $C_{(XF)}$ [μF] | C_{OUT} [μF] |
|------------------------|-------------------------------|---------------------------------|--------------------------------|
| 50 | 2.2 | 0.22 | 4.7 |
| 150 | 4.7 | 1 | 10 |
| 250 | 4.7 | 1 | 22 |

Table 2. Recommended Capacitors

| MANUFACTURER | PART NUMBER | SIZE | CAPACITANCE | TYPE |
|--------------|----------------|------|------------------|---------|
| Taiyo Yuden | LMK212BJ105KG | 805 | 1 μ F | Ceramic |
| | LMK212BJ225MG | 805 | 2.2 μ F | Ceramic |
| | EMK316BJ225KL | 1206 | 2.2 μ F | Ceramic |
| | LMK316BJ475KL | 1206 | 4.7 μ F | Ceramic |
| | JMK316BJ106KL | 1206 | 10 μ F | Ceramic |
| TDK | C2012X5R1C105M | 805 | 1 μ F | Ceramic |
| | C2012X5R1A225M | 805 | 2.2 μ F | Ceramic |
| | C2012X5R0J106M | 805 | 10 μ F/6.3 V | Ceramic |

Table 3 contains a list of manufacturers of ceramic capacitors. Ceramic capacitors provide the lowest output voltage ripple because they typically have the lowest ESR-rating.

Table 3. Recommended Capacitor Manufacturers

| MANUFACTURER | CAPACITOR TYPE | INTERNET |
|--------------|-----------------|--|
| Taiyo Yuden | X7R/X5R ceramic | www.t-yuden.com |
| TDK | X7R/X5R ceramic | www.component.tdk.com |
| Vishay | X7R/X5R ceramic | www.vishay.com |
| Kemet | X7R/X5R ceramic | www.kemet.com |

9.2.1.2.2 Resistor Combinations

Table 4. Resistor Combinations

| NOMINAL OUTPUT VOLTAGE | EQUATION | POSSIBLE E24 RESISTOR COMBINATIONS |
|------------------------|----------------|--|
| 1.2 V | $R1 = 0.5R2$ | $R1 = 100 \text{ k}\Omega$, $R2 = 200 \text{ k}\Omega$, (1.20 V) |
| 1.5 V | $R1 = 0.875R2$ | $R1 = 160 \text{ k}\Omega$, $R2 = 180 \text{ k}\Omega$, (1.51 V) |
| 1.6 V | $R1 = R2$ | any |
| 1.8 V | $R1 = 1.25R2$ | $R1 = 150 \text{ k}\Omega$, $R2 = 120 \text{ k}\Omega$, (1.80 V) |
| 2.5 V | $R1 = 2.125R2$ | $R1 = 510 \text{ k}\Omega$, $R2 = 240 \text{ k}\Omega$, (2.50 V) |
| | | $R1 = 470 \text{ k}\Omega$, $R2 = 220 \text{ k}\Omega$, (2.51 V) |

Equations:

$$V_{\text{OUT}} = \frac{(R1+R2)}{R2} \times V_{\text{FB}}$$

$$V_{\text{FB}} = 0.8 \text{ V} \tag{1}$$

$$R1 - R2 \left(\frac{V_{\text{OUT}}}{V_{\text{FB}}} \right) = R2 \tag{2}$$

9.2.1.3 Application Curves

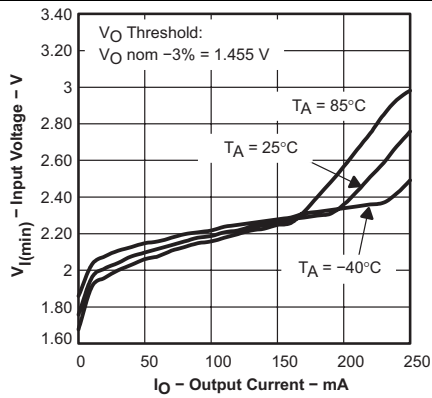


Figure 10. TPS60503
Minimum Input Voltage vs Output Current

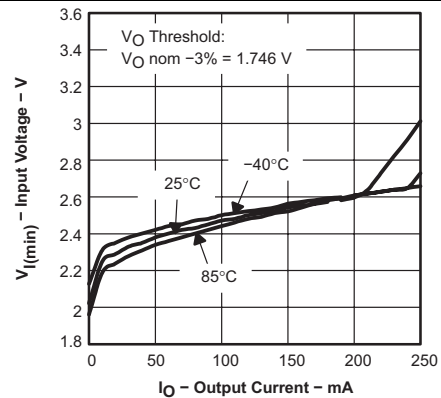


Figure 11. TPS60502
Minimum Input Voltage vs Output Current

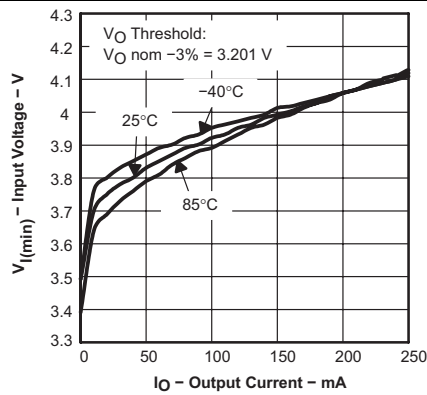


Figure 12. TPS60501
Minimum Input Voltage vs Output Current

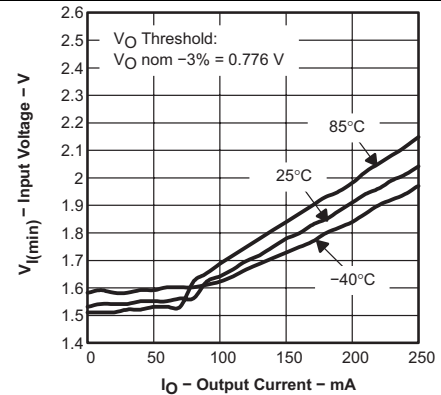


Figure 13. TPS60500
Minimum Input Voltage vs Output Current

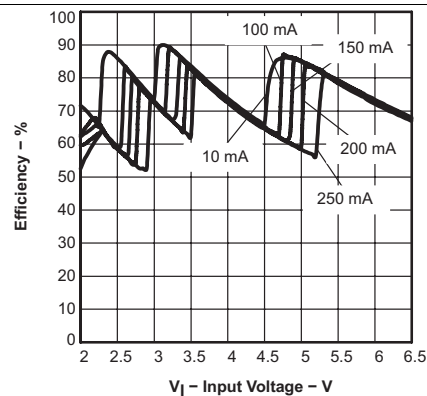


Figure 14. TPS60503
Efficiency vs Input Voltage

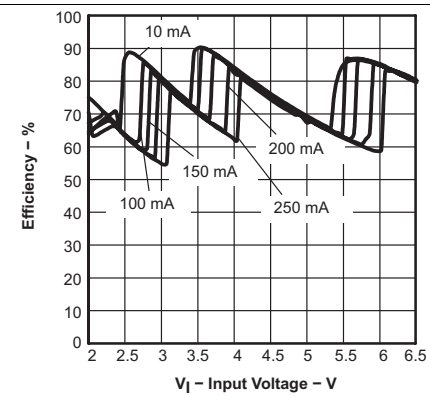


Figure 15. TPS60502
Efficiency vs Input Voltage

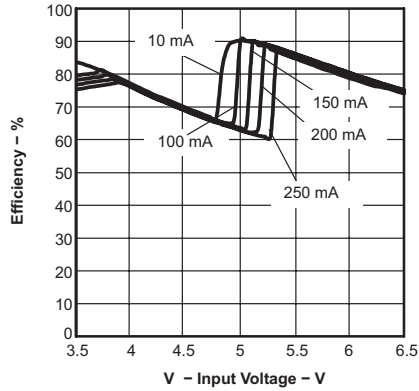


Figure 16. TPS60501
Efficiency vs Input Voltage

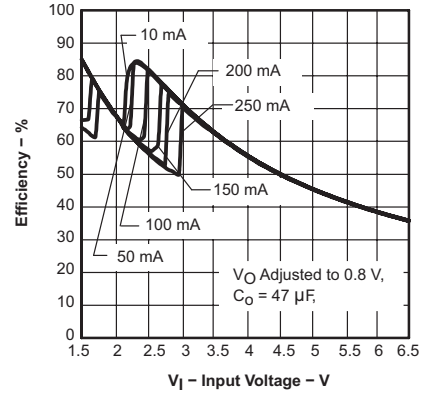


Figure 17. TPS60500
Efficiency vs Input Voltage

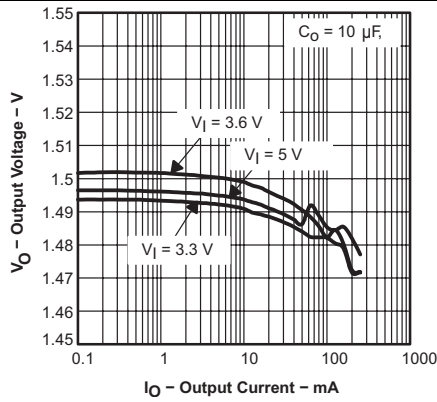


Figure 18. TPS60503
Output Voltage vs Output Current

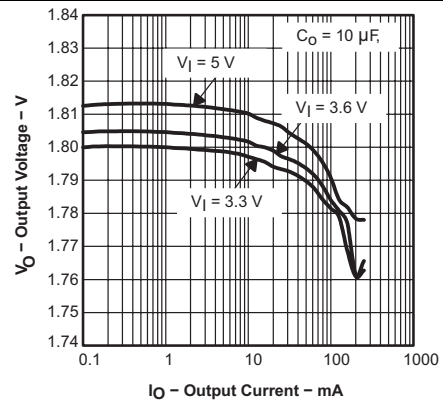


Figure 19. TPS60502
Output Voltage vs Output Current

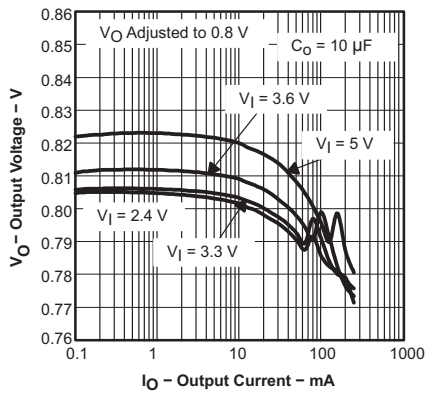


Figure 20. TPS60500
Output Voltage vs Output Current

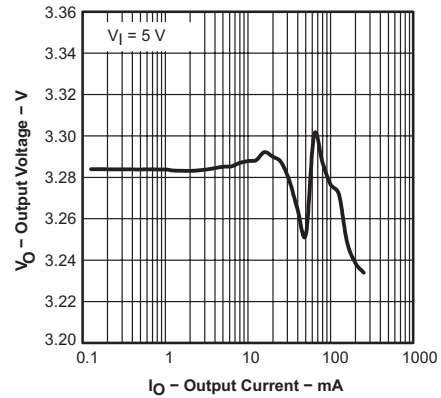


Figure 21. TPS60501
Output Voltage vs Output Current

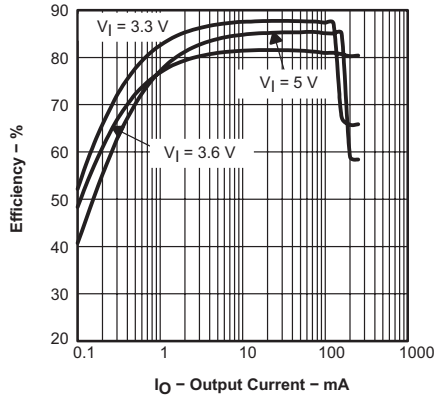


Figure 22. TPS60503
Efficiency vs Output Current

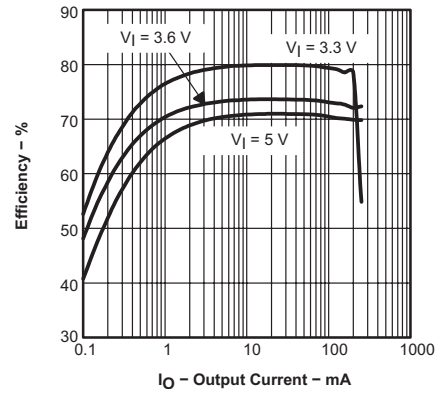


Figure 23. TPS60502
Efficiency vs Output Current

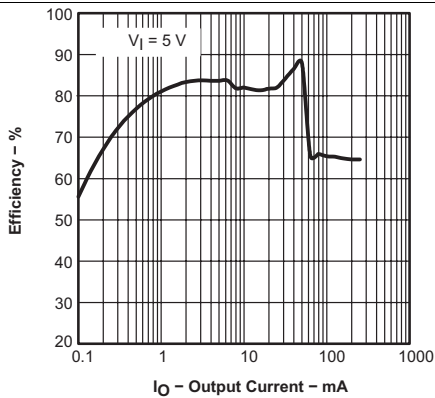


Figure 24. TPS60501
Efficiency vs Output Current

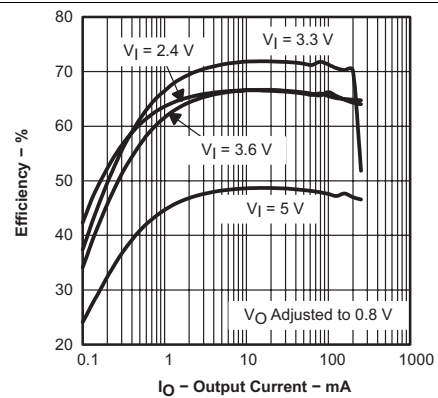


Figure 25. TPS60500
Efficiency vs Output Current

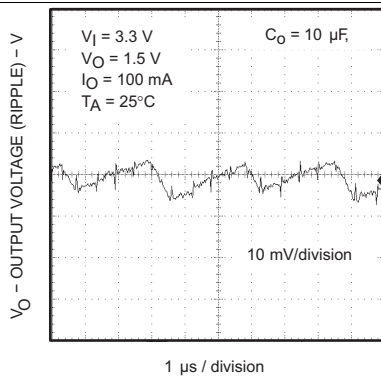


Figure 26. Output Voltage (Ripple) vs Time

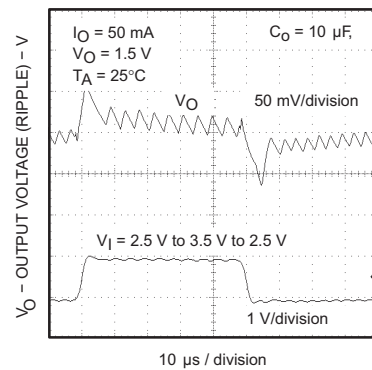


Figure 27. Line Transient Response

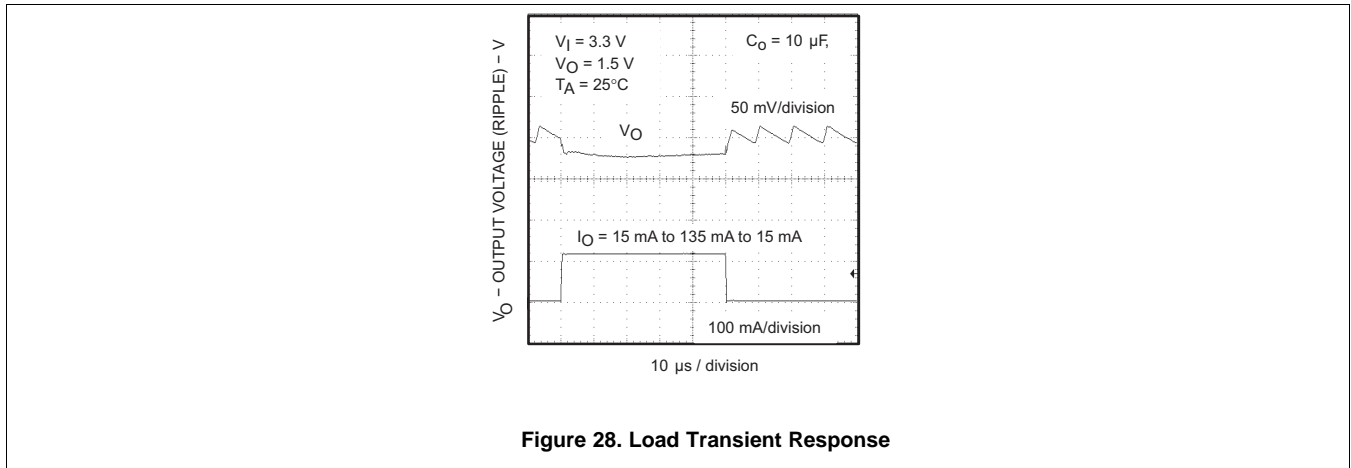


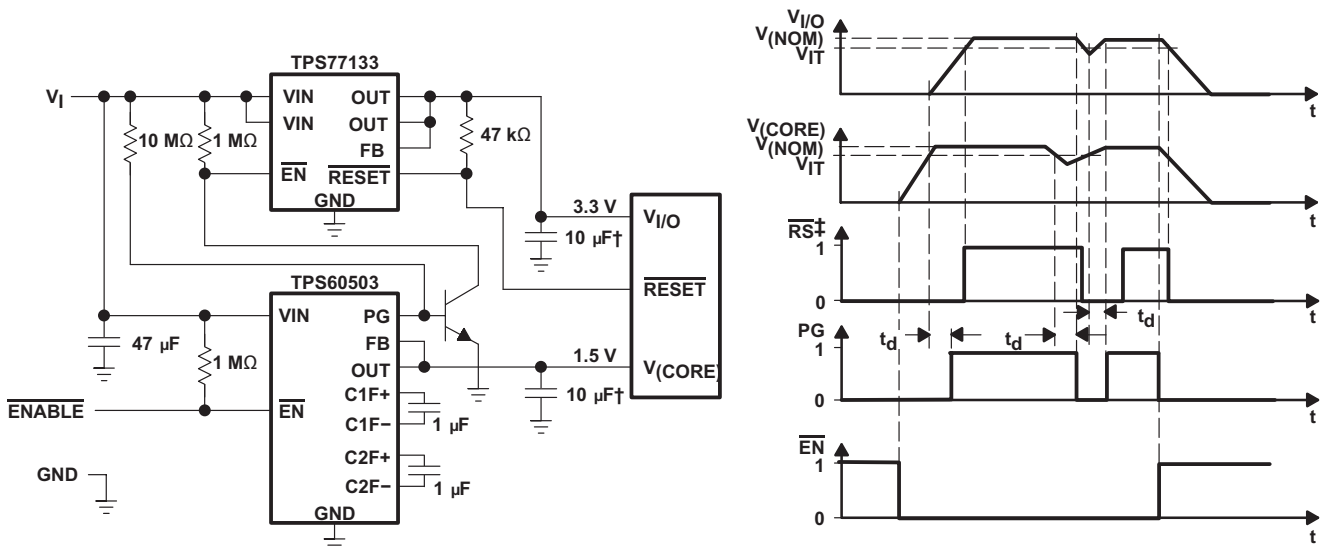
Figure 28. Load Transient Response

9.3 System Examples

9.3.1 DSP Supply With Sequencing

This application shows a power supply for a typical digital signal processor (DSP). DSPs usually have core voltages in the 1-V to 2.5-V range, whereas the voltage at the I/O-pins (I/O voltage) is typically 3.3 V to interface with external logic and converters. Therefore, a power supply with two output voltages is required. The application works with an input voltage in the range of 3.5 V to 6.5 V. The maximum output current is 150 mA on each output.

The supply is enabled by pulling the enable pin (\overline{EN} of the TPS60503) to GND. The step-down charge pump starts and its power good (PG) output goes high. This enables the LDO which powers the I/O lines and generates a reset signal for the DSP. Figure 29 shows the timing diagram of the start-up or shutdown procedure.



† Recommended value for stability, DSP may require higher capacitance.

‡ RS is the RESET output of the TPS77133.

Figure 29. DSP Supply With Sequencing

System Examples (continued)

9.3.2 LC-Post Filter

If the output voltage ripple of the step-down charge pump is too high, an LC post filter can be used.

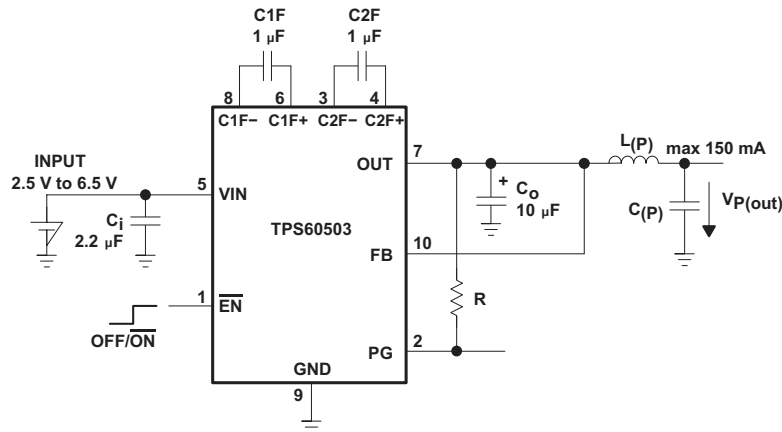


Figure 30. LC-Post Filter

Table 5. Measurement Results on Different $C_{(fly)}$, $C_{(P)}$, $L_{(P)}$ Combinations; BW = 500 MHz

| V_I [V] | I_o [mA] | C_1 [μF] | $C_{(XF)}$ [μF] | C_O [μF] | $L_{(P)}$ [μH] | $C_{(P)}$ [μF] | V_o [V] | TYPICAL $V_{P(Out)}$ V_{PP} [mV] | TYPICAL $V_{O(RMS)}$ [mV] |
|--------------|---------------|---------------|--------------------|---------------|-------------------|-------------------|--------------|--|------------------------------|
| | | CERAMIC | CERAMIC | CERAMIC | | CERAMIC | | | |
| 5 | 50 | 2.2 | 0.22 | 4.7 | — | 0.1 (X7R) | 3.3 | 50 | 8 |
| 5 | 50 | 2.2 | 0.22 | 4.7 | — | 0.1 (X7R) | 1.5 | 30 | 9 |
| 5 | 150 | 4.7 | 1 | 10 | — | 0.1 (X7R) | 1.5 | 50 | 6 |
| 5 | 250 | 4.7 | 1 | 2 x 10 | — | 0.1 (X7R) | 1.5 | 45 | 8 |
| 5 | 100 | 4.7 | 1 | 10 | 0.1 | 0.1 (X7R) | 1.5 | 20 | 4 |

9.3.3 Power Supply With Dynamic Voltage Scaling

Dynamic voltage scaling of the core can be used to reduce power consumption of a digital signal processor (DSP). During the periods, in which the maximum DSP performance is not required, the core voltage can be reduced when the DSP operates at a lower clock-rate. This function is called runtime power control (RPC) and is supported by modern DSPs. RPC extends battery lifetime in handheld applications, like MP3 players and digital cameras.

The supply of DSPs is separated into I/O interface and core supply. Interface is mostly powered by a 3.3-V system supply, whereas core supply achieves voltages far below 1.5 V. The TPS60500 is powered by the 3.3-V system supply. The DSP itself selects the applied core voltage.

The core voltage is switched between 1.5 V and 1.1 V by changing the feedback resistor network. A MOSFET modifies the voltage divider at the feedback (FB) pin by switching a resistor. In this application, a general-purpose MOSFET BSS138 is used with a $V_{GS(th)}$ of 1.6 V. A DSP 3.3-V I/O port drives the gate. The feedback resistor network consists of R2, R3 and R4. $C_{(ff)}$ is the fast-forward capacitor for improved line regulation.

General requirements for the application:

- Output voltage1 (DSP core): 1.5 V ±0.08 V
- Output voltage 2 (DSP core): 1.1 V +0.1 V –0.05 V
- Input voltage: 3 V to 3.3 V
- Output current: 150 mA (10R load)

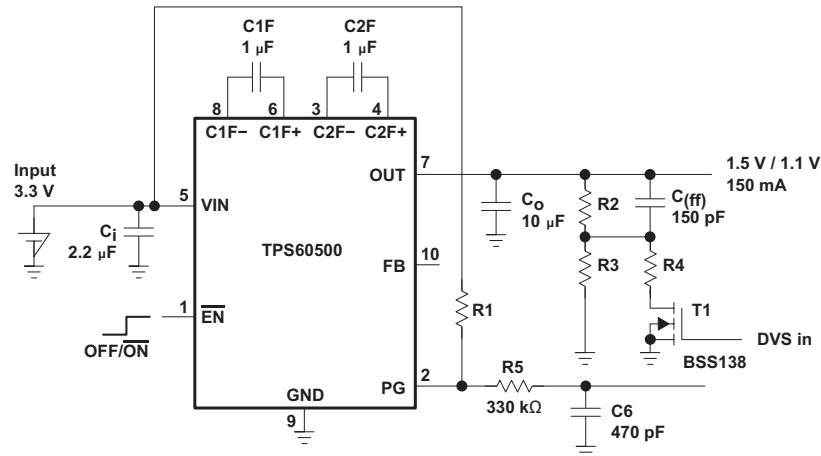


Figure 31. Dynamic Voltage Scaling Application

To keep current through the adjustment resistor network as low as possible, the resistors are calculated to:

V_{out1} adjusted by R2 and R3

$$R3 = \frac{V_{FB}}{\frac{V_{out1} - V_{FB}}{R2}} \quad \begin{array}{l} V_{out1} = 1.1V, \\ R2 = 180k\Omega, \\ V_{ref} = 0.80V, \\ \rightarrow R3 = 470k\Omega \end{array} \quad (3)$$

V_{out2} adjusted by R2 and $R_x = R3 || R4$

$$R_x = \frac{V_{FB} \times R2}{(V2 - V_{FB})} \quad \begin{array}{l} V_{out2} = 1.5V, \\ \rightarrow R_x = 206k\Omega \end{array} \quad (4)$$

$$\frac{1}{R_x} = \frac{1}{R3} + \frac{1}{R4} \quad \rightarrow R4 = \frac{1}{\frac{1}{R_x} - \frac{1}{R3}} \quad \rightarrow R4 = 360k\Omega \quad (5)$$

9.3.4 Internet Audio Power Supply

The input voltage from a single or dual NiCd, NiMH or alkaline cell is boosted to 3.3 V. This voltage is used as system supply for the application and as an input voltage for the step-down charge pump which is used to provide the core voltage for a DSP.

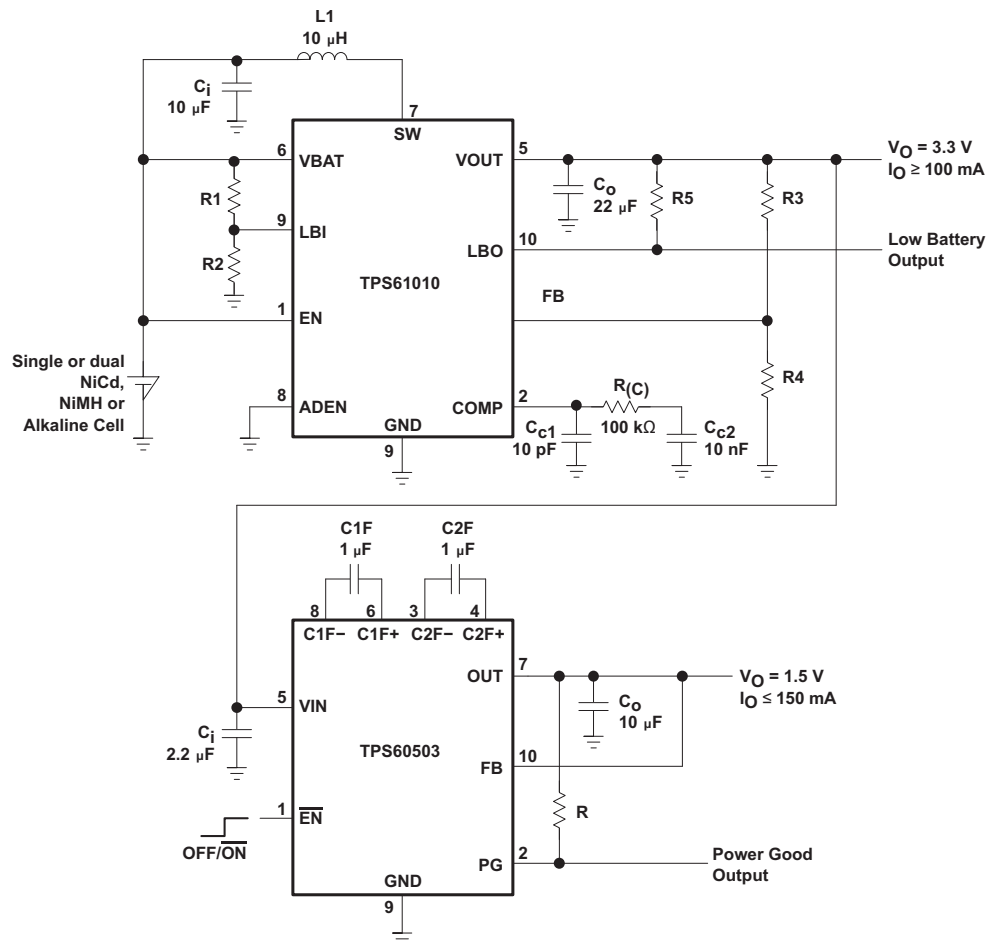


Figure 32. Internet Audio Power Supply

10 Power Supply Recommendations

The TPS6050x devices have no special requirements for its input power supply. The output currents of the input power supply need to be rated according to the supply voltage, output voltage and output current of the TPS6050x.

11 Layout

11.1 Layout Guidelines

All capacitors must be soldered as close as possible to the IC. A PCB layout proposal for a two-layer board is shown in [Figure 33](#). Connect all capacitors as close as possible to the circuit to achieve optimized output voltage ripple performance.

11.2 Layout Examples

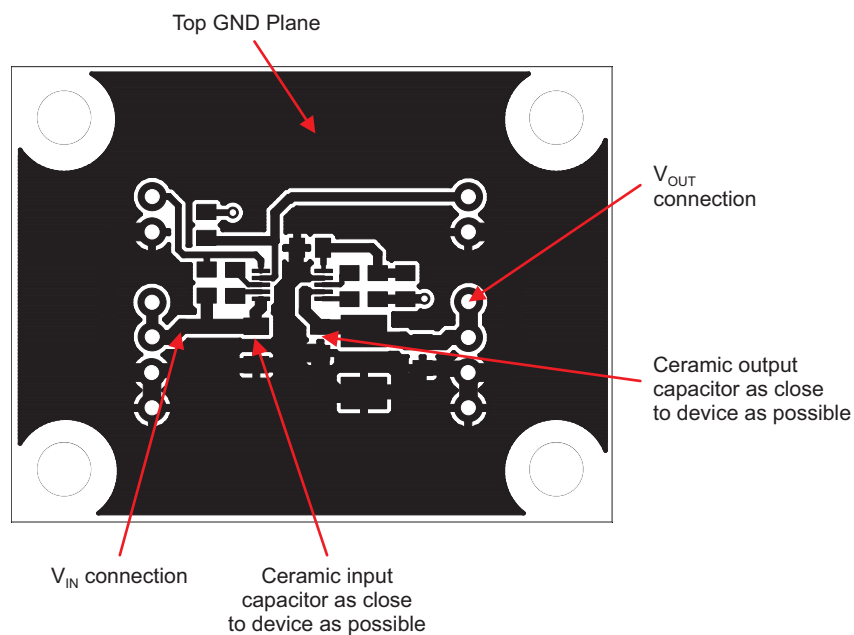


Figure 33. Recommended PCB Layout for TPS6050x (Top Layer)

Layout Examples (continued)

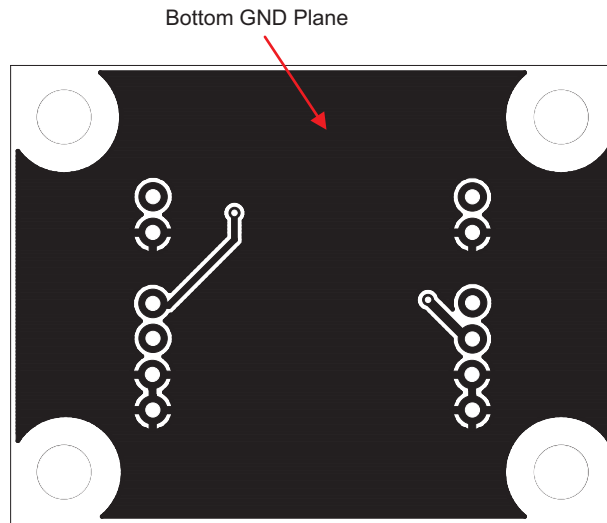


Figure 34. Recommended PCB Layout for TPS6050x (Bottom Layer)

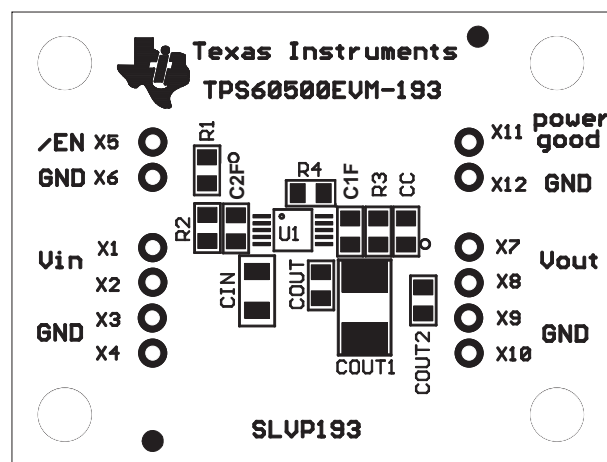


Figure 35. Top Silkscreen

12 Device and Documentation Support

12.1 Device Support

12.1.1 Third-Party Products Disclaimer

TI'S PUBLICATION OF INFORMATION REGARDING THIRD-PARTY PRODUCTS OR SERVICES DOES NOT CONSTITUTE AN ENDORSEMENT REGARDING THE SUITABILITY OF SUCH PRODUCTS OR SERVICES OR A WARRANTY, REPRESENTATION OR ENDORSEMENT OF SUCH PRODUCTS OR SERVICES, EITHER ALONE OR IN COMBINATION WITH ANY TI PRODUCT OR SERVICE.

12.2 Related Links

The table below lists quick access links. Categories include technical documents, support and community resources, tools and software, and quick access to sample or buy.

Table 6. Related Links

| PARTS | PRODUCT FOLDER | SAMPLE & BUY | TECHNICAL DOCUMENTS | TOOLS & SOFTWARE | SUPPORT & COMMUNITY |
|----------|----------------------------|----------------------------|----------------------------|----------------------------|----------------------------|
| TPS60500 | Click here | Click here | Click here | Click here | Click here |
| TPS60501 | Click here | Click here | Click here | Click here | Click here |
| TPS60502 | Click here | Click here | Click here | Click here | Click here |
| TPS60503 | Click here | Click here | Click here | Click here | Click here |

12.3 Community Resources

The following links connect to TI community resources. Linked contents are provided "AS IS" by the respective contributors. They do not constitute TI specifications and do not necessarily reflect TI's views; see TI's [Terms of Use](#).

TI E2E™ Online Community *TI's Engineer-to-Engineer (E2E) Community*. Created to foster collaboration among engineers. At e2e.ti.com, you can ask questions, share knowledge, explore ideas and help solve problems with fellow engineers.

Design Support *TI's Design Support* Quickly find helpful E2E forums along with design support tools and contact information for technical support.

12.4 Trademarks

E2E is a trademark of Texas Instruments.
All other trademarks are the property of their respective owners.

12.5 Electrostatic Discharge Caution



These devices have limited built-in ESD protection. The leads should be shorted together or the device placed in conductive foam during storage or handling to prevent electrostatic damage to the MOS gates.

12.6 Glossary

[SLYZ022](#) — *TI Glossary*.

This glossary lists and explains terms, acronyms, and definitions.

13 Mechanical, Packaging, and Orderable Information

The following pages include mechanical, packaging, and orderable information. This information is the most current data available for the designated devices. This data is subject to change without notice and revision of this document. For browser-based versions of this data sheet, refer to the left-hand navigation.

PACKAGING INFORMATION

| Orderable Device | Status (1) | Package Type | Package Drawing | Pins | Package Qty | Eco Plan (2) | Lead/Ball Finish (6) | MSL Peak Temp (3) | Op Temp (°C) | Device Marking (4/5) | Samples |
|------------------|---------------|--------------|-----------------|------|-------------|-------------------------|-------------------------|----------------------|--------------|-------------------------|-------------------------|
| TPS60500DGS | ACTIVE | VSSOP | DGS | 10 | 80 | Green (RoHS & no Sb/Br) | NIPDAU NIPDAUAG | Level-1-260C-UNLIM | -40 to 85 | AVB | Samples |
| TPS60500DGSG4 | ACTIVE | VSSOP | DGS | 10 | 80 | Green (RoHS & no Sb/Br) | NIPDAUAG | Level-1-260C-UNLIM | -40 to 85 | AVB | Samples |
| TPS60500DGSR | ACTIVE | VSSOP | DGS | 10 | 2500 | Green (RoHS & no Sb/Br) | NIPDAU NIPDAUAG | Level-1-260C-UNLIM | -40 to 85 | AVB | Samples |
| TPS60500DGSRG4 | ACTIVE | VSSOP | DGS | 10 | 2500 | Green (RoHS & no Sb/Br) | NIPDAUAG | Level-1-260C-UNLIM | -40 to 85 | AVB | Samples |
| TPS60501DGS | ACTIVE | VSSOP | DGS | 10 | 80 | Green (RoHS & no Sb/Br) | NIPDAU | Level-1-260C-UNLIM | -40 to 85 | AVC | Samples |
| TPS60501DGSR | ACTIVE | VSSOP | DGS | 10 | 2500 | Green (RoHS & no Sb/Br) | NIPDAU | Level-1-260C-UNLIM | -40 to 85 | AVC | Samples |
| TPS60502DGS | ACTIVE | VSSOP | DGS | 10 | 80 | Green (RoHS & no Sb/Br) | NIPDAU | Level-1-260C-UNLIM | -40 to 85 | AVD | Samples |
| TPS60502DGSR | ACTIVE | VSSOP | DGS | 10 | 2500 | Green (RoHS & no Sb/Br) | NIPDAU | Level-1-260C-UNLIM | -40 to 85 | AVD | Samples |
| TPS60502DGSRG4 | ACTIVE | VSSOP | DGS | 10 | 2500 | Green (RoHS & no Sb/Br) | NIPDAU | Level-1-260C-UNLIM | -40 to 85 | AVD | Samples |
| TPS60503DGS | ACTIVE | VSSOP | DGS | 10 | 80 | Green (RoHS & no Sb/Br) | NIPDAU | Level-1-260C-UNLIM | -40 to 85 | AVE | Samples |

(1) The marketing status values are defined as follows:

ACTIVE: Product device recommended for new designs.

LIFEBUY: TI has announced that the device will be discontinued, and a lifetime-buy period is in effect.

NRND: Not recommended for new designs. Device is in production to support existing customers, but TI does not recommend using this part in a new design.

PREVIEW: Device has been announced but is not in production. Samples may or may not be available.

OBSOLETE: TI has discontinued the production of the device.

(2) **RoHS:** TI defines "RoHS" to mean semiconductor products that are compliant with the current EU RoHS requirements for all 10 RoHS substances, including the requirement that RoHS substance do not exceed 0.1% by weight in homogeneous materials. Where designed to be soldered at high temperatures, "RoHS" products are suitable for use in specified lead-free processes. TI may reference these types of products as "Pb-Free".

RoHS Exempt: TI defines "RoHS Exempt" to mean products that contain lead but are compliant with EU RoHS pursuant to a specific EU RoHS exemption.

Green: TI defines "Green" to mean the content of Chlorine (Cl) and Bromine (Br) based flame retardants meet JS709B low halogen requirements of <=1000ppm threshold. Antimony trioxide based flame retardants must also meet the <=1000ppm threshold requirement.

(3) MSL, Peak Temp. - The Moisture Sensitivity Level rating according to the JEDEC industry standard classifications, and peak solder temperature.

(4) There may be additional marking, which relates to the logo, the lot trace code information, or the environmental category on the device.

(5) Multiple Device Markings will be inside parentheses. Only one Device Marking contained in parentheses and separated by a "~" will appear on a device. If a line is indented then it is a continuation of the previous line and the two combined represent the entire Device Marking for that device.

(6) Lead/Ball Finish - Orderable Devices may have multiple material finish options. Finish options are separated by a vertical ruled line. Lead/Ball Finish values may wrap to two lines if the finish value exceeds the maximum column width.

Important Information and Disclaimer: The information provided on this page represents TI's knowledge and belief as of the date that it is provided. TI bases its knowledge and belief on information provided by third parties, and makes no representation or warranty as to the accuracy of such information. Efforts are underway to better integrate information from third parties. TI has taken and continues to take reasonable steps to provide representative and accurate information but may not have conducted destructive testing or chemical analysis on incoming materials and chemicals. TI and TI suppliers consider certain information to be proprietary, and thus CAS numbers and other limited information may not be available for release.

In no event shall TI's liability arising out of such information exceed the total purchase price of the TI part(s) at issue in this document sold by TI to Customer on an annual basis.

TAPE AND REEL INFORMATION



QUADRANT ASSIGNMENTS FOR PIN 1 ORIENTATION IN TAPE



*All dimensions are nominal

| Device | Package Type | Package Drawing | Pins | SPQ | Reel Diameter (mm) | Reel Width W1 (mm) | A0 (mm) | B0 (mm) | K0 (mm) | P1 (mm) | W (mm) | Pin1 Quadrant |
|--------------|--------------|-----------------|------|------|--------------------|--------------------|---------|---------|---------|---------|--------|---------------|
| TPS60500DGSR | VSSOP | DGS | 10 | 2500 | 330.0 | 12.4 | 5.3 | 3.4 | 1.4 | 8.0 | 12.0 | Q1 |
| TPS60501DGSR | VSSOP | DGS | 10 | 2500 | 330.0 | 12.4 | 5.3 | 3.4 | 1.4 | 8.0 | 12.0 | Q1 |
| TPS60502DGSR | VSSOP | DGS | 10 | 2500 | 330.0 | 12.4 | 5.3 | 3.4 | 1.4 | 8.0 | 12.0 | Q1 |

TAPE AND REEL BOX DIMENSIONS


*All dimensions are nominal

| Device | Package Type | Package Drawing | Pins | SPQ | Length (mm) | Width (mm) | Height (mm) |
|--------------|--------------|-----------------|------|------|-------------|------------|-------------|
| TPS60500DGSR | VSSOP | DGS | 10 | 2500 | 350.0 | 350.0 | 43.0 |
| TPS60501DGSR | VSSOP | DGS | 10 | 2500 | 350.0 | 350.0 | 43.0 |
| TPS60502DGSR | VSSOP | DGS | 10 | 2500 | 350.0 | 350.0 | 43.0 |

DGS0010A



PACKAGE OUTLINE

VSSOP - 1.1 mm max height

SMALL OUTLINE PACKAGE



4221984/A 05/2015

NOTES:

1. All linear dimensions are in millimeters. Any dimensions in parenthesis are for reference only. Dimensioning and tolerancing per ASME Y14.5M.
2. This drawing is subject to change without notice.
3. This dimension does not include mold flash, protrusions, or gate burrs. Mold flash, protrusions, or gate burrs shall not exceed 0.15 mm per side.
4. This dimension does not include interlead flash. Interlead flash shall not exceed 0.25 mm per side.
5. Reference JEDEC registration MO-187, variation BA.

EXAMPLE BOARD LAYOUT

DGS0010A

VSSOP - 1.1 mm max height

SMALL OUTLINE PACKAGE



LAND PATTERN EXAMPLE
SCALE:10X



SOLDER MASK DETAILS
NOT TO SCALE

4221984/A 05/2015

NOTES: (continued)

- 6. Publication IPC-7351 may have alternate designs.
- 7. Solder mask tolerances between and around signal pads can vary based on board fabrication site.

EXAMPLE STENCIL DESIGN

DGS0010A

VSSOP - 1.1 mm max height

SMALL OUTLINE PACKAGE



SOLDER PASTE EXAMPLE
BASED ON 0.125 mm THICK STENCIL
SCALE:10X

4221984/A 05/2015

NOTES: (continued)

8. Laser cutting apertures with trapezoidal walls and rounded corners may offer better paste release. IPC-7525 may have alternate design recommendations.
9. Board assembly site may have different recommendations for stencil design.

IMPORTANT NOTICE AND DISCLAIMER

TI PROVIDES TECHNICAL AND RELIABILITY DATA (INCLUDING DATASHEETS), DESIGN RESOURCES (INCLUDING REFERENCE DESIGNS), APPLICATION OR OTHER DESIGN ADVICE, WEB TOOLS, SAFETY INFORMATION, AND OTHER RESOURCES "AS IS" AND WITH ALL FAULTS, AND DISCLAIMS ALL WARRANTIES, EXPRESS AND IMPLIED, INCLUDING WITHOUT LIMITATION ANY IMPLIED WARRANTIES OF MERCHANTABILITY, FITNESS FOR A PARTICULAR PURPOSE OR NON-INFRINGEMENT OF THIRD PARTY INTELLECTUAL PROPERTY RIGHTS.

These resources are intended for skilled developers designing with TI products. You are solely responsible for (1) selecting the appropriate TI products for your application, (2) designing, validating and testing your application, and (3) ensuring your application meets applicable standards, and any other safety, security, or other requirements. These resources are subject to change without notice. TI grants you permission to use these resources only for development of an application that uses the TI products described in the resource. Other reproduction and display of these resources is prohibited. No license is granted to any other TI intellectual property right or to any third party intellectual property right. TI disclaims responsibility for, and you will fully indemnify TI and its representatives against, any claims, damages, costs, losses, and liabilities arising out of your use of these resources.

TI's products are provided subject to TI's Terms of Sale (www.ti.com/legal/termsofsale.html) or other applicable terms available either on ti.com or provided in conjunction with such TI products. TI's provision of these resources does not expand or otherwise alter TI's applicable warranties or warranty disclaimers for TI products.

Mailing Address: Texas Instruments, Post Office Box 655303, Dallas, Texas 75265
Copyright © 2020, Texas Instruments Incorporated