



Han® PushPull V14 Power 4/0



General information

| | |
|----------------------|---|
| Design | Han® PushPull Power connector acc. to IEC 61076-3-118 |
| No. of contacts | 4 + PE |
| Temperature range | -40° C ... +70° C |
| Mating cycles | min. 500 |
| Degree of protection | IP65 / IP67 |

| Termination technology | Crimp | Quick Lock (fool-less) | Solder |
|--------------------------------------|----------------|------------------------|--------------------|
| Flammability acc. to UL 94 | V0 | V0 | V0 |
| Electrical data acc. to DIN EN 61984 | 16A 690V 8kV 3 | 16A 690V 8kV 3 | 16A 230/400V 4kV 3 |
| Hot plugging | No | No | No |
| RoHS - compliant | Yes | Yes | Yes |
| UL file | E235076 | E235076 | E235076 |

Insulator material

| | |
|---------------------------------|--------------|
| Material | PC / PA |
| Color | grey / black |
| Material group acc. IEC 60664-1 | PLC 3 / PLC1 |

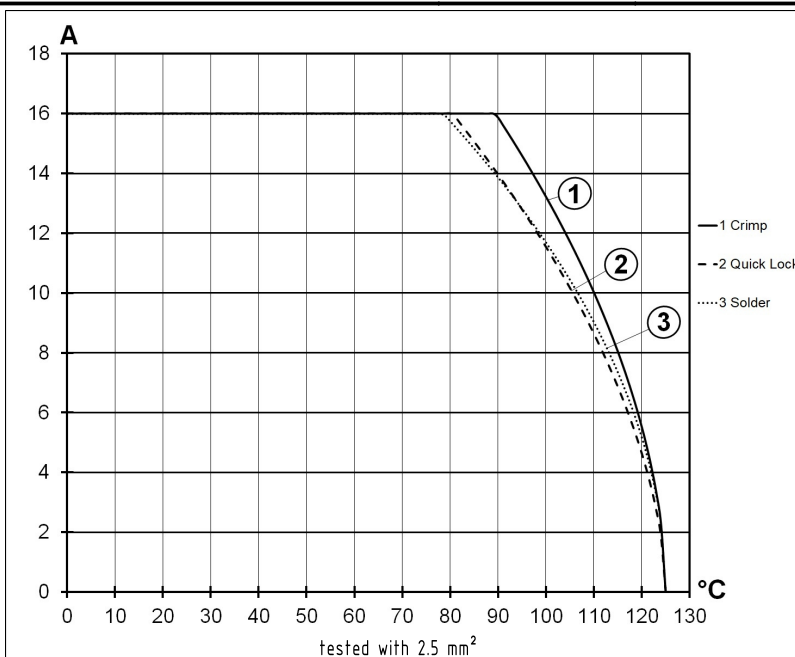
Contact material

| | |
|------------------|-------|
| Contact material | Brass |
| Plating | Ag |

material

| | |
|------------|-------------|
| housing | PA, PC, PBT |
| cable seal | TPE |
| o-ring | NBR |

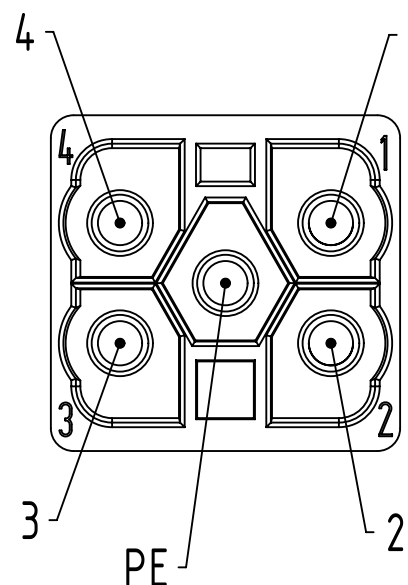
Derating diagram acc. to IEC 60512-5-2 (Current carrying capacity)



The current carrying capacity is limited by maximum temperature of materials for inserts and contacts including terminals.
The current capacity curve is valid for continuous, non interrupted current loaded contacts of connectors when simultaneous power on all contacts is given, without exceeding the maximum temperature.

Control and test procedures acc. to IEC 60512-5-2

Mating Face



Connector sets incl. housing and female insert

| Identification | Part No. | cable Ø | termination cross | Wire gauge | material |
|---|----------------|------------|---------------------------|------------|-----------------|
| Han® PushPull V14 Power 4/0 Crimp 4-11 mm clamp range | 09 35 231 0401 | 4-11 mm | see crimp contacts Han® P | | metal housing |
| Han® PushPull V14 Power 4/0 Crimp 9-13 mm clamp range | 09 35 231 0423 | 9-13 mm | see crimp contacts Han® P | | plastic housing |
| Han® PushPull V14 Power 4/0 Quick Lock 4-11 mm clamp range | 09 35 232 0401 | 4-11 mm | 0.5-2.5 mm ² | AWG 24-12 | metal housing |
| Han® PushPull V14 Power 4/0 Quick Lock 6.5-9.5 mm clamp range | 09 35 232 0421 | 6.5-9.5 mm | 0.5-2.5 mm ² | AWG 24-12 | plastic housing |
| Han® PushPull V14 Power 4/0 Quick Lock 9-13 mm clamp range | 09 35 232 0423 | 9-13 mm | 0.5-2.5 mm ² | AWG 24-12 | plastic housing |
| Han® PushPull V14 Power 4/0 Quick Lock 4-11 mm clamp range | 09 35 234 0401 | 4-11 mm | 0.25-1.5 mm ² | AWG 24-16 | metal housing |
| Han® PushPull V14 Power 4/0 Quick Lock 6.5-9.5 mm clamp range | 09 35 234 0421 | 6.5-9.5 mm | 0.25-1.5 mm ² | AWG 24-16 | plastic housing |

Panel feed through

| Identification | Part No. | termination cross | Wire gauge | material |
|--|----------------|---------------------------|------------|-----------------|
| Han® PushPull V14 Power 4/0 Crimp Rectangular panel cut out | 09 35 231 0311 | see crimp contacts Han® P | | metal housing |
| Han® PushPull V14 Power 4/0 Crimp Circular panel cut out | 09 35 231 0312 | see crimp contacts Han® P | | metal housing |
| Han® PushPull V14 Power 4/0 Crimp | 09 35 231 0331 | see crimp contacts Han® P | | plastic housing |
| Han® PushPull V14 Power 4/0 Crimp M25 | 09 35 231 0332 | see crimp contacts Han® P | | plastic housing |
| Han® PushPull V14 Power 4/0 Quick Lock Rectangular panel cut out | 09 35 232 0311 | 0.5-2.5 mm ² | AWG 24-12 | metal housing |
| Han® PushPull V14 Power 4/0 Quick Lock Circular panel cut out | 09 35 232 0312 | 0.5-2.5 mm ² | AWG 24-12 | metal housing |
| Han® PushPull V14 Power 4/0 Quick Lock | 09 35 232 0331 | 0.5-2.5 mm ² | AWG 24-12 | plastic housing |
| Han® PushPull V14 Power 4/0 Quick Lock M25 | 09 35 232 0332 | 0.5-2.5 mm ² | AWG 24-12 | plastic housing |
| Han® PushPull V14 Power 4/0 Quick Lock Rectangular panel cut out | 09 35 234 0311 | 0.25-1.5 mm ² | AWG 24-16 | metal housing |
| Han® PushPull V14 Power 4/0 Quick Lock Circular panel cut out | 09 35 234 0312 | 0.25-1.5 mm ² | AWG 24-16 | metal housing |
| Han® PushPull V14 Power 4/0 Quick Lock | 09 35 234 0331 | 0.25-1.5 mm ² | AWG 24-16 | plastic housing |
| Han® PushPull V14 Power 4/0 Quick Lock M25 | 09 35 234 0332 | 0.25-1.5 mm ² | AWG 24-16 | plastic housing |

Housing bulkhead mounting for device integration

| Identification | Part No. | termination cross | material |
|--|----------------|--------------------|-----------------|
| Housing bulkhead mounting metal | 09 35 002 0303 | - | metal housing |
| Housing bulkhead mounting plastic | 09 35 002 0323 | - | plastic housing |
| Male insert with solder termination angled | 09 35 002 3003 | solder termination | |
| Male insert with solder termination straight | 09 35 002 3004 | solder termination | |

Crimp contacts Han® P

| Wire gauge | type | Part No. | Ø | Stripping length |
|---------------------------------|--------|----------------|---------|------------------|
| for 0.5 mm ² AWG 20 | male | 09 35 000 6103 | 1.15 mm | 6 mm |
| for 0.5 mm ² AWG 20 | female | 09 35 000 6203 | 1.15 mm | 6 mm |
| for 0.75 mm ² AWG 18 | male | 09 35 000 6104 | 1.30 mm | 6 mm |
| for 0.75 mm ² AWG 18 | female | 09 35 000 6204 | 1.30 mm | 6 mm |
| for 1.0 mm ² AWG 18 | male | 09 35 000 6105 | 1.45 mm | 6 mm |
| for 1.0 mm ² AWG 18 | female | 09 35 000 6205 | 1.45 mm | 6 mm |
| for 1.5 mm ² AWG 16 | male | 09 35 000 6106 | 1.75 mm | 6 mm |
| for 1.5 mm ² AWG 16 | female | 09 35 000 6206 | 1.75 mm | 6 mm |
| for 2.5 mm ² AWG 14 | male | 09 35 000 6107 | 2.25 mm | 6 mm |
| for 2.5 mm ² AWG 14 | female | 09 35 000 6207 | 2.25 mm | 6 mm |

Accessories

| Part No. | Description |
|----------------|---|
| 09 99 000 0319 | Removal tool Han® P contacts |
| 09 99 000 0886 | Locator Han® P for crimping tool 09 99 000 0888 |
| 09 99 000 0888 | HARTING four-indent crimping tool |
| 09 35 000 6190 | Han® PushPull Power 4/0 coding pins |

| | | | | | | |
|--------------------------|-----------------------|----------------------------|--------------|-----------------|------------|-------------------------------------|
| | All rights reserved | Created by | Inspected by | Standardisation | Date | State |
| | Department EC PD - DE | ELLERMANN | ZWAHR | HOFFMANN | 2018-03-09 | Final Release |
| HARTING Electronics GmbH | | Title | | Date | | Doc-Key / ECM-Nr. |
| D-32339 Espelkamp | | Han PushPull V14 Power 4/0 | | 2018-03-09 | | 100749172/UGD/000/A 500000132347 |
| | | Type | Number | Rev. | | Page |
| | | DS | 09350000001 | A | | 1/1 |

Mouser Electronics

Authorized Distributor

Click to View Pricing, Inventory, Delivery & Lifecycle Information:

HARTING:

[09350006103](#) [09350006104](#) [09350006105](#) [09350006106](#) [09350006190](#) [09350006203](#) [09350023004](#)
[09352320423](#) [09352310423](#) [09350006204](#) [09352320421](#) [09350006205](#) [09352310401](#) [09352320401](#) [09350006206](#)
[09350006207](#) [09350023003](#) [09352320331](#) [09352310331](#)