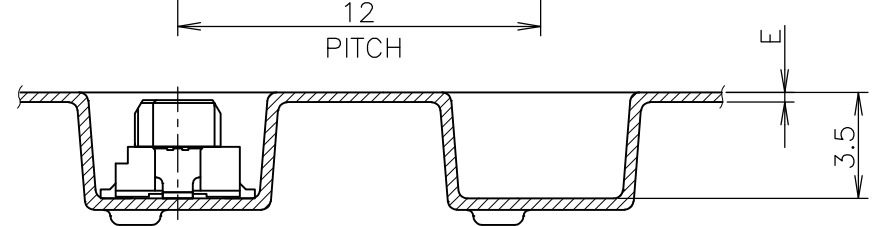
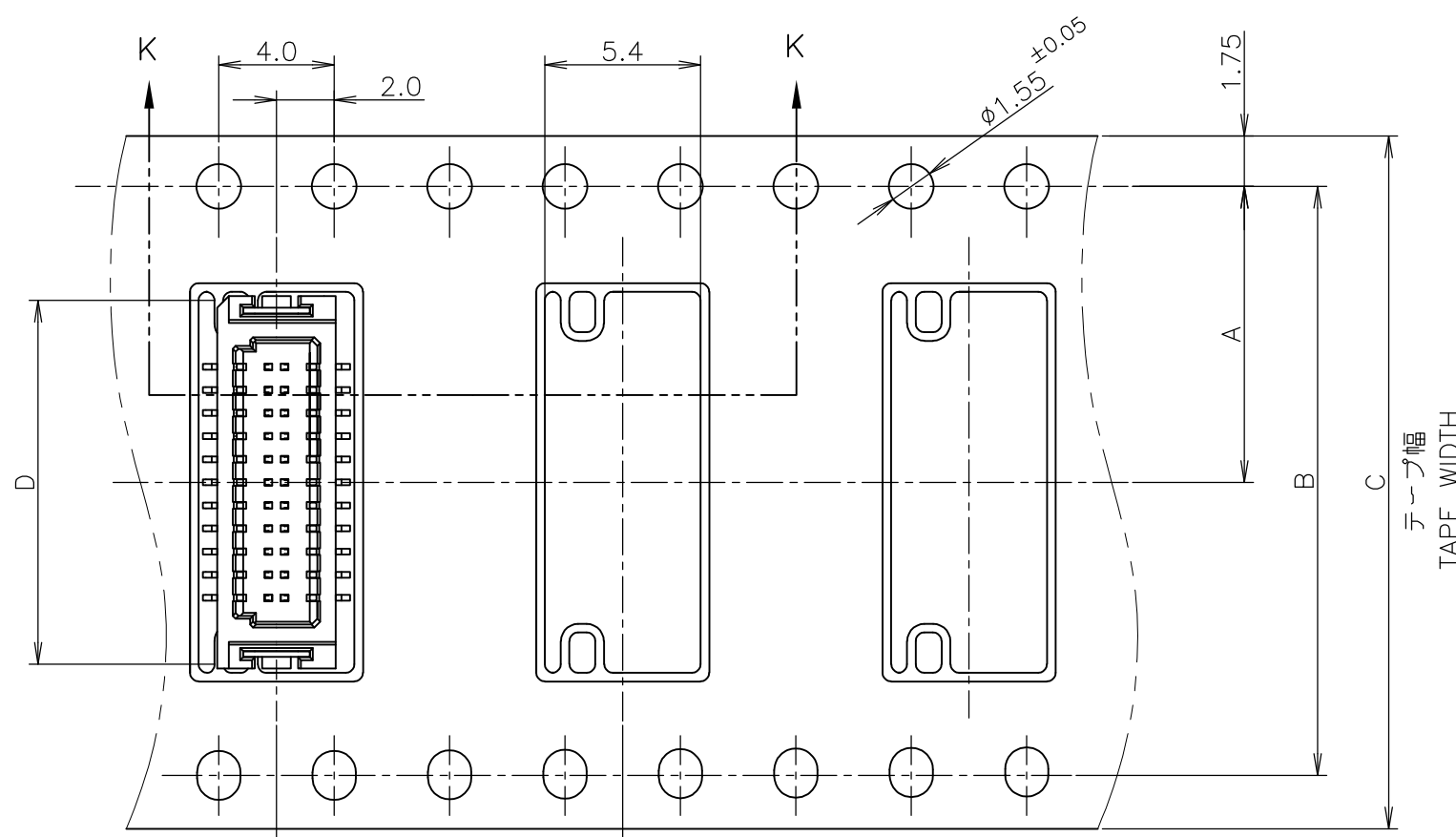
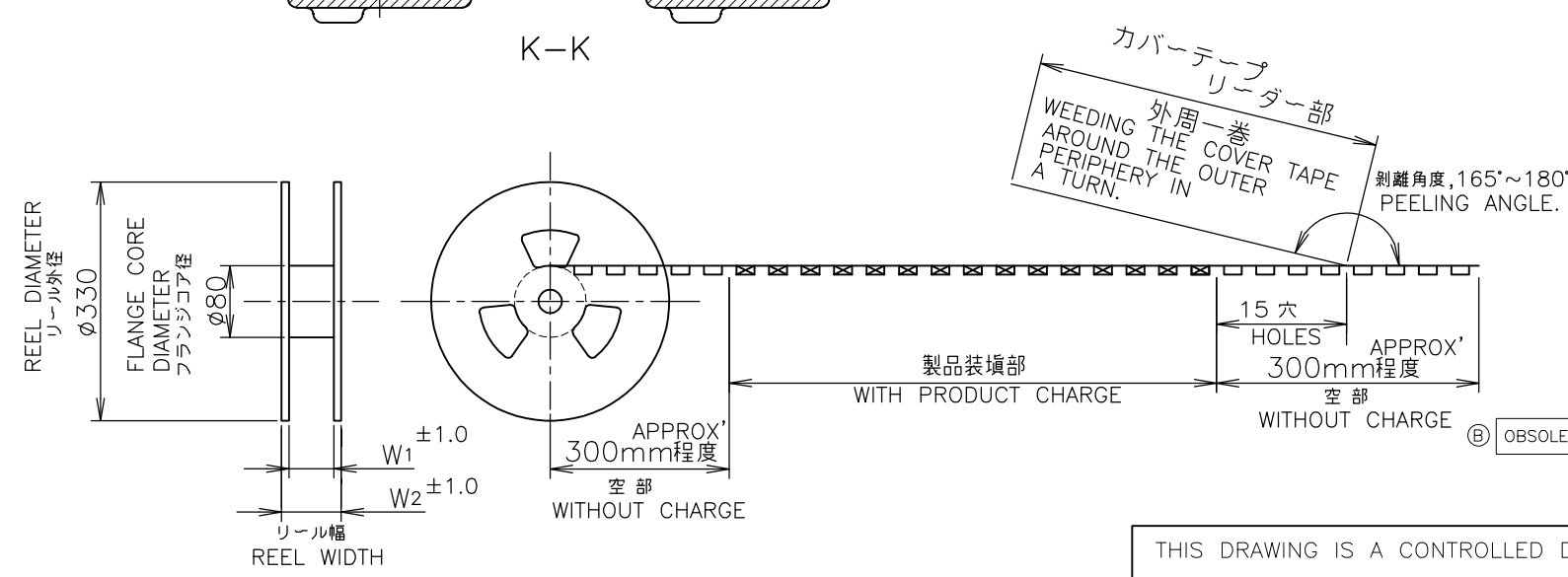


THIS DRAWING IS UNPUBLISHED. RELEASED FOR PUBLICATION DEC. 2004.  
 © COPYRIGHT 2004 BY TYCO ELECTRONICS CORPORATION. ALL RIGHTS RESERVED.

| LOC | DIST | REVISIONS<br>変更 |           |     |      |
|-----|------|-----------------|-----------|-----|------|
| P   | LTR  | DESCRIPTION     | DATE      | DWN | APVD |
|     | A    | REVISED         | 23JUN2010 | Y.W | S.K  |
|     | B    | ECR-13-012512   | 09AUG2013 | IT  | WKH  |



引出し方向  
TOP OF REEL →



| COLOR   | W2   | W1   | E    | D    | C  | B    | A    | 数量<br>(ヶ)<br>QTY/REEL | 極数<br>POS | リール巻<br>コネクタ型番<br>TAPING P/N |
|---------|------|------|------|------|----|------|------|-----------------------|-----------|------------------------------|
| NATURAL | 48.7 | 45.5 | 0.4  | 28.4 | 44 | 40.4 | 20.2 | 1000                  | 60        | 6-5917408-0                  |
| NATURAL | 29.5 | 25.5 | 0.38 | 13.2 | 24 | 11.5 | 11.5 | 1000                  | 22        | 2-5917408-2                  |
| BLACK   | 22   | 18   | 0.5  | 8.4  | 16 | 7.5  | 7.5  | 1000                  | 10        | 1-5917408-0                  |

THIS DRAWING IS A CONTROLLED DOCUMENT.

DWN M.IWASAKI 27DEC04  
 CHK Y.NAKAZAWA 27DEC04  
 APVD T.KUSUHARA 27DEC04

**Tyco Electronics** Tyco Electronics AMP K.K. Kawasaki, Japan

ON TAPING EMBOSS  
 0.8mm PITCH B-TO-B CONN  
 RECEPTACLE ASSEMBLY WITH KEY & BOSS

SIZE A3 CAGE CODE 00779 DRAWING NO. G-5917408 RESTRICTED TO

CUSTOMER DRAWING SCALE 4:1 SHEET 1 OF 2 REV B

GENERAL TOLERANCE  
一般公差

|             |       |
|-------------|-------|
| 10 ≥        | ±0.2  |
| 30 ≥ > 10   | ±0.25 |
| 100 ≥ > 30  | ±0.3  |
| ANGLES: ±3° |       |

DIMENSIONS: 単位: 純 mm

TOLERANCES UNLESS OTHERWISE SPECIFIED: 一般公差

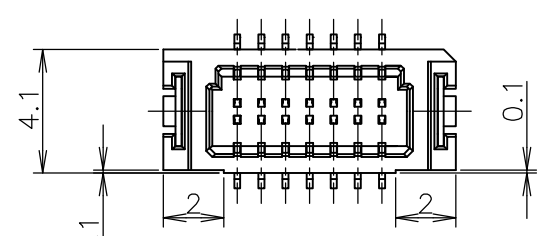
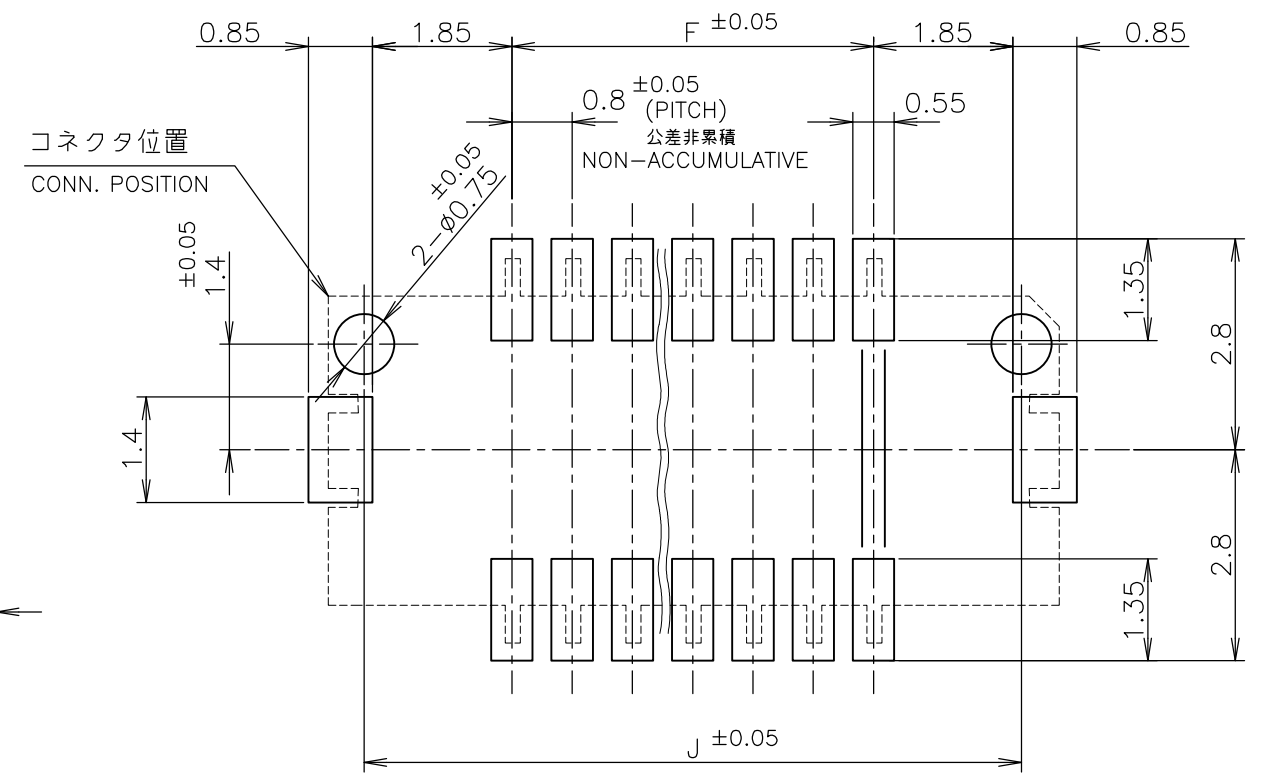
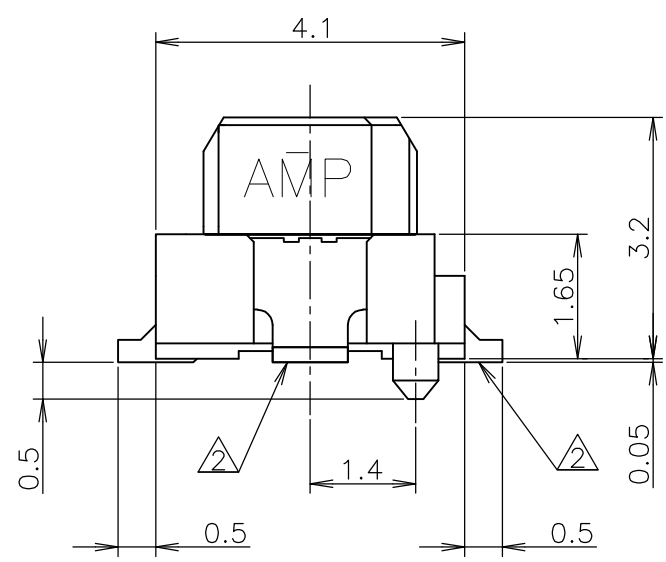
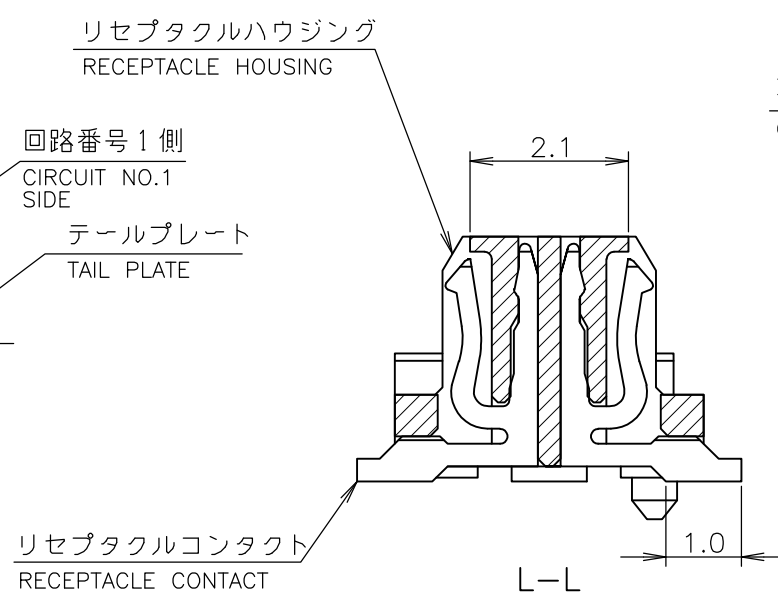
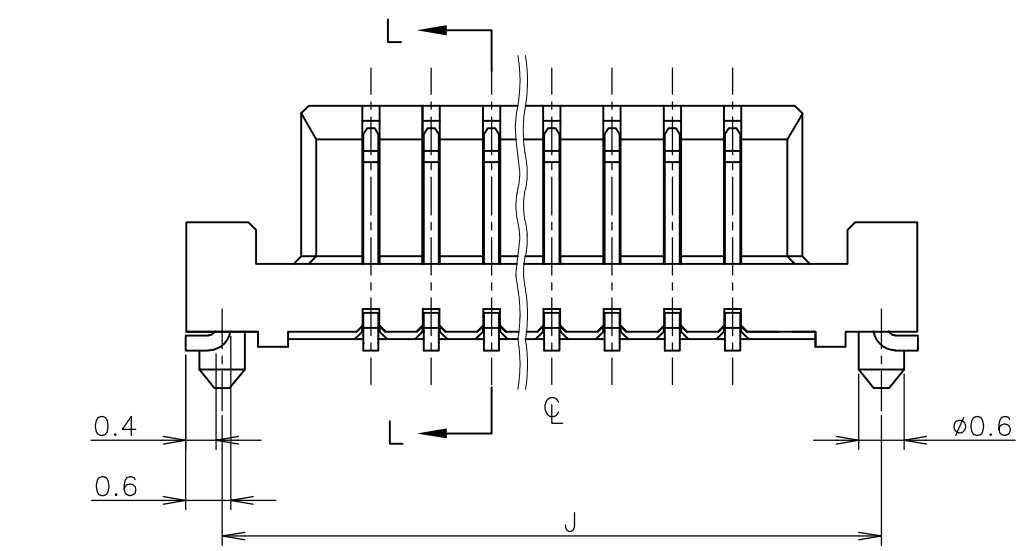
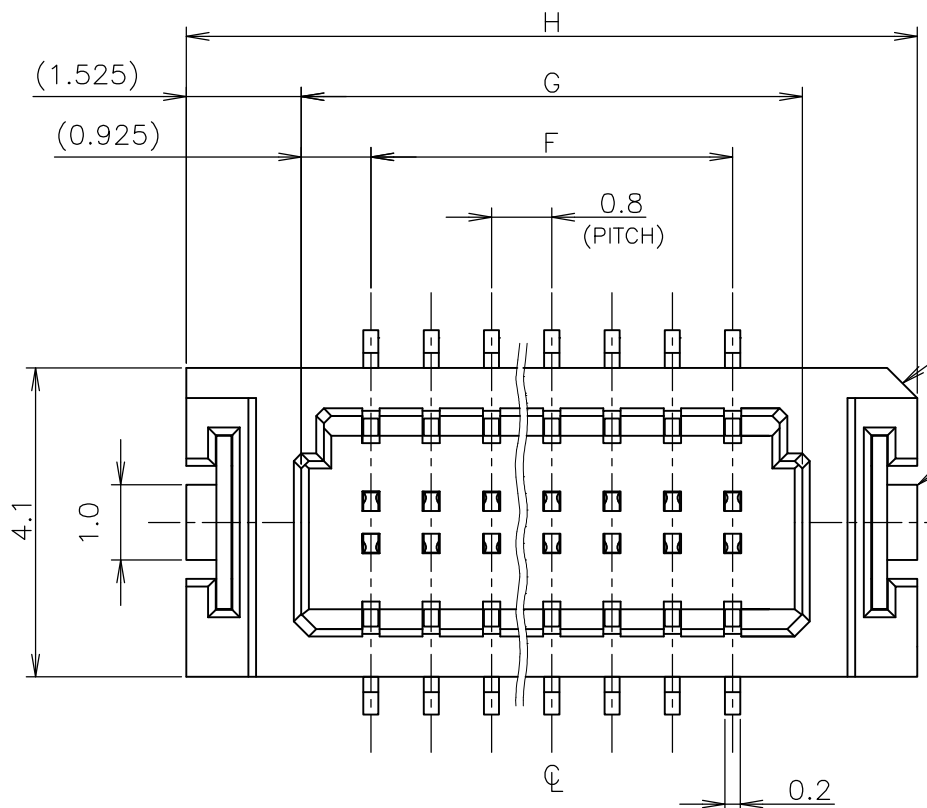
|        |   |
|--------|---|
| 0 PLC  | ± |
| 1 PLC  | ± |
| 2 PLC  | ± |
| 3 PLC  | ± |
| 4 PLC  | ± |
| ANGLES | ± |

MATERIAL 材料

FINISH 仕上

| LOC | DIST | REVISIONS   |      |      |
|-----|------|-------------|------|------|
| J   |      | 変更          | DATE | DWN  |
| P   | LTR  | DESCRIPTION |      | APVD |
|     |      | SEE SHEET 1 | -    | -    |

本図：コネクタ図  
 AS SHOWN: CONNECTOR DWG



1 材料：リセプタクルハウジング：46ナイロン  
 (耐熱性樹脂)  
 リセプタクルコンタクト：銅合金 (t=0.2mm)  
 金めっき  
 テールプレート：銅合金 (t=0.2mm)  
 錫めっき

△ 全てのタイン部及びテールプレートのバラツキは 0.1mm MAX.

1 MATERIAL  
 REC HOUSING: 46 NYLON (HIGH HEAT-RESISTED RESIN)  
 REC CONTACT: COPPER-ALLOY (t=0.2mm)  
 Au PLATING  
 TAIL PLATE: COPPER-ALLOY (t=0.2mm)  
 TIN PLATING

△ MISALIGNMENT BETWEEN TAINS AND TAIL PLATE: 0.1mm MAX.

GENERAL TOLERANCE  
 一般公差

|            |       |
|------------|-------|
| 10 ≥       | ±0.2  |
| 30 ≥ > 10  | ±0.25 |
| 100 ≥ > 30 | ±0.3  |
| ANGLES     | ±3°   |

THIS DRAWING IS A CONTROLLED DOCUMENT.

|                      |   |
|----------------------|---|
| DIMENSIONS:<br>単位：mm | TOLERANCES UNLESS<br>OTHERWISE SPECIFIED:<br>一般公差 |
|                      | 0 PLC ±   |
|                      | 1 PLC ±   |
|                      | 2 PLC ±   |
|                      | 3 PLC ±   |
| MATERIAL<br>材料       | 4 PLC ±   |
|                      | ANGLES ±  |
|                      | FINISH<br>仕上                                      |

INSTRUCTION SHEET  
 取扱説明書 411-5808

DWN

CHK

APVD

PRODUCT SPEC  
 製品規格 108-5512

APPLICATION SPEC  
 取付適用規格

WEIGHT

CUSTOMER DRAWING

|       |      |       |      |           |             |
|-------|------|-------|------|-----------|-------------|
| 27.15 | 28.1 | 25.05 | 23.2 | 60        | 6-5917408-0 |
| 11.95 | 12.9 | 9.85  | 8.0  | 22        | 2-5917408-2 |
| 7.15  | 8.1  | 5.05  | 3.2  | 10        | 1-5917408-0 |
| J     | H    | G     | F    | 極数<br>POS | 型番 PART NO  |

**Tyco Electronics** Tyco Electronics AMP K.K.  
 Kawasaki, Japan

NAME 名称  
 ON TAPING EMBOSS  
 0.8mm PITCH B-TO-B CONN  
 RECEPTACLE ASSEMBLY WITH KEY & BOSS

|      |           |                  |               |
|------|-----------|------------------|---------------|
| SIZE | CAGE CODE | DRAWING NO<br>番号 | RESTRICTED TO |
| A3   | 00779     | 5917408          | -             |

SCALE 尺度 10:1 SHEET 2 OF 2 REV B

# Mouser Electronics

Authorized Distributor

Click to View Pricing, Inventory, Delivery & Lifecycle Information:

[TE Connectivity:](#)

[2-5917408-2](#)