



## OD2510 Series

DC Fan - 5V, 12V  
25 x 10mm (1.0 x .39in)



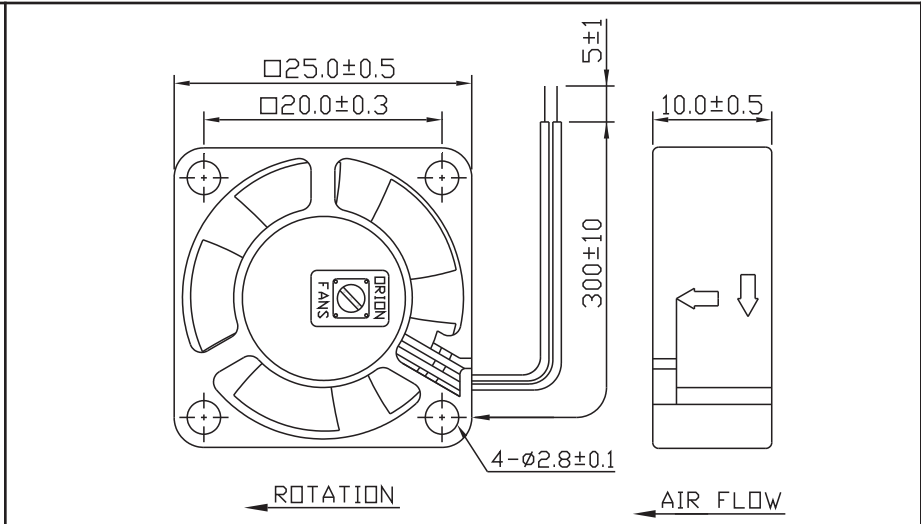
Model #	Pg #	Voltage	RPM	CFM	Noise Level	Max Static Pressure
OD2510-05H	2	5 VDC	12000	2.7	31 dB	.23 H <sub>2</sub> O
OD2510-05M	2	5 VDC	10000	2.2	24 dB	.17 H <sub>2</sub> O
OD2510-05L	2	5 VDC	8000	1.8	18 dB	.12 H <sub>2</sub> O
OD2510-12H	2	12 VDC	12000	2.7	31 dB	.23 H <sub>2</sub> O
OD2510-12M	2	12 VDC	10000	2.2	24 dB	.17 H <sub>2</sub> O
OD2510-12L	2	12 VDC	8000	1.8	16 dB	.12 H <sub>2</sub> O
OD2510-12LL	2	12 VDC	7000	1.45	15 dB	.07 H <sub>2</sub> O
OD2510-12MB02A	3	12 VDC	10000	2.2	24 dB	.17 H <sub>2</sub> O

\*\* For some models and part numbers, minimum order quantities may apply.

# OD2510 Series



DC Fan - 5, 12V  
25 x 10mm (1.0" x 0.39")



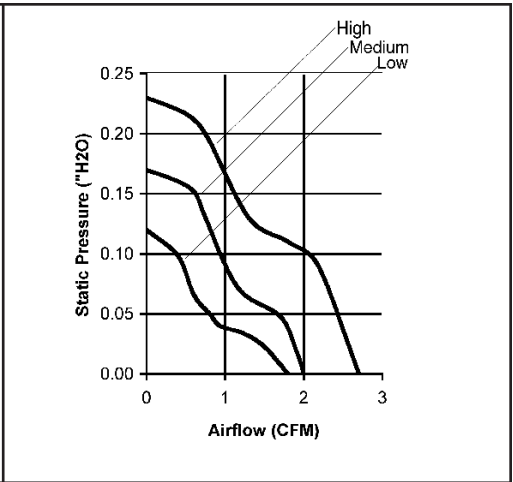
Frame & Impeller	PBT, UL94V-0 plastic
Connection	2x Lead wires 28AWG
Motor	Brushless DC, auto restart, impedance and polarity protected
Bearing System	Ball bearing or Sleeve
Insulation Resistance	10M ohm between leadwire and frame (500VDC)
Dielectric Strength	1 minute at 500 VAC, max leakage < 500 MicroAmp
Storage Temperature	-40C ~ +80C

**Available Options:**  
Tachometer Alarm

**Life Expectancy (L10)**  
Ball - 60,000 hrs (45C)  
Sleeve - 30,000 hrs (45C)

**Operating Temperature**  
Ball: -10C ~ 70C  
Sleeve: -10C ~ 50C

Weight: ~ 0.02 lbs



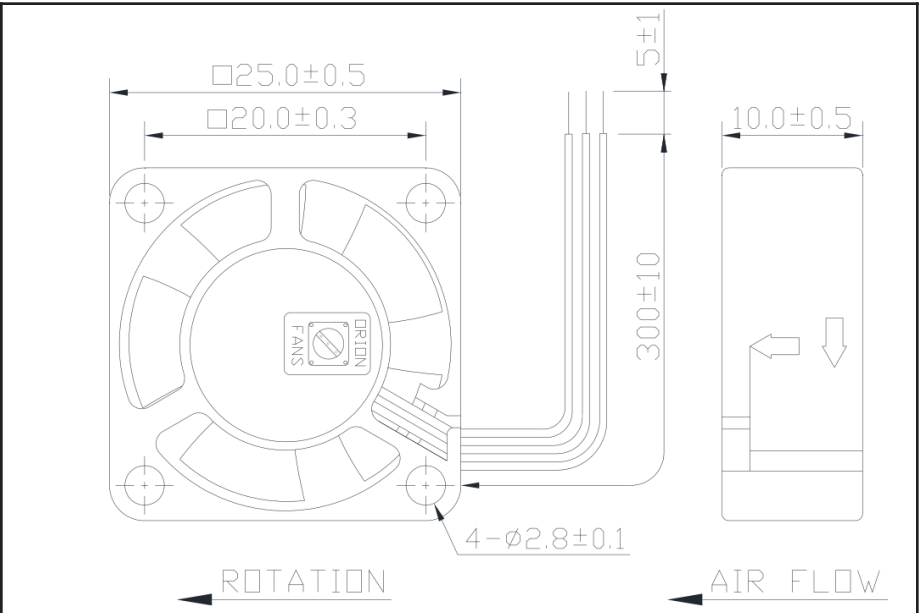
Model Number	Speed (RPM)	Airflow (CFM)	Noise (dB)	Volts DC	Voltage Range (VDC)	Amps	Max. Static Pressure (H <sub>2</sub> O)
OD2510-05H *	12000	2.7	31	5	4.0 ~ 5.5	0.14	0.23
OD2510-05M *	10000	2.2	24	5	4.0 ~ 5.5	0.12	0.17
OD2510-05L *	8000	1.8	18	5	4.0 ~ 5.5	0.10	0.12
OD2510-12H *	12000	2.7	31	12	6.0 ~ 16	0.09	0.23
OD2510-12M *	10000	2.2	24	12	6.0 ~ 16	0.08	0.17
OD2510-12L *	8000	1.8	16	12	6.0 ~ 16	0.04	0.12
OD2510-12LL *	7000	1.45	15	12	9.0 ~ 13.2	0.07	0.07

\* Indicate "B" for ball bearing or "S" for sleeve bearing

# OD2510-12MB02A



DC Fan, 12VDC  
25x10mm (1x.39in)

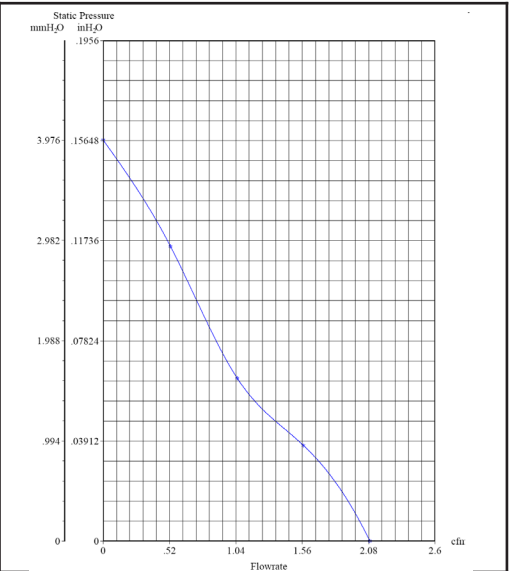


Frame & Impeller	PBT, UL94V-0 plastic
Connection	3x Lead wires *
Motor	Brushless DC, auto restart, polarity protected.
Bearing System	Dual ball bearing
Insulation Resistance	Min. 10M at 500VDC
Dielectric Strength	1 second at 500VAC max leakage 500 microamp
Temperature Range	-10C ~ 70C
Storage Temperature	-40C ~ +80C
Life (L10)	60,000 hours (40C)

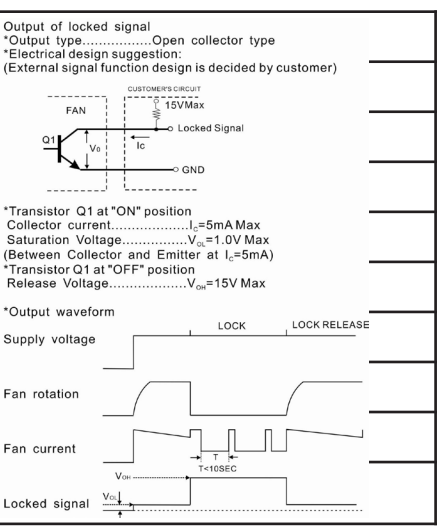
Available Options  
 IP55  
 Other speeds and voltages  
 Tachometer  
 PWM

\*Connection:  
 Wire Leads - UL1007  
 28AWG Red(+), Black(-), Yellow Alarm

Weight: 8 g



Model Number	OD2510-12MB02A
Part Number	125131231
Nominal Voltage	12 VDC
Voltage Range	6~16 VDC
Nominal Current	.08 A
Rated Power	1.44 Watts
Rated Speed (RPM)	10000
Airflow (CFM)	2.2
Noise Level (dB)	24
Max. Static Pressure	.17 "H <sub>2</sub> O



# Mouser Electronics

Authorized Distributor

Click to View Pricing, Inventory, Delivery & Lifecycle Information:

## Orion Fans:

[OD2510-12HB](#) [OD2510-05HB](#) [OD2510-12HB-21](#) [OD2510-12MB](#) [OD2510-12HB01A](#) [OD2510-12LB](#) [OD2510-05MB](#)  
[OD2510-05LB](#) [OD2510-12LLB](#) [OD2510-12MB02A](#)