

PART NAME

NON-METALLIC ENCLOSURE (STYLE A)

PART No.

NBA-10156 & NBA-10176

MATERIAL:

SOLID BODY & COVER — ABS/PC BLENDED PLASTIC
 UL94-5VB FLAMMABILITY RATING
 CLEAR COVER — POLYCARBONATE PLASTIC
 UL94V-0 FLAMMABILITY RATING
 UV STABILIZED
 LATCHES, HINGES & WALL MOUNTING BRACKETS — STAINLESS STEEL

FINISH:

BODY — LIGHT GRAY
 COVER — LIGHT GRAY OR CLEAR

NOTE: UNIT COMES COMPLETE WITH (4) WALL MOUNTING BRKTS. & (4) M5 x 10mm LG. TRUSS HD. MACHINE SCREWS (NOT SHOWN)

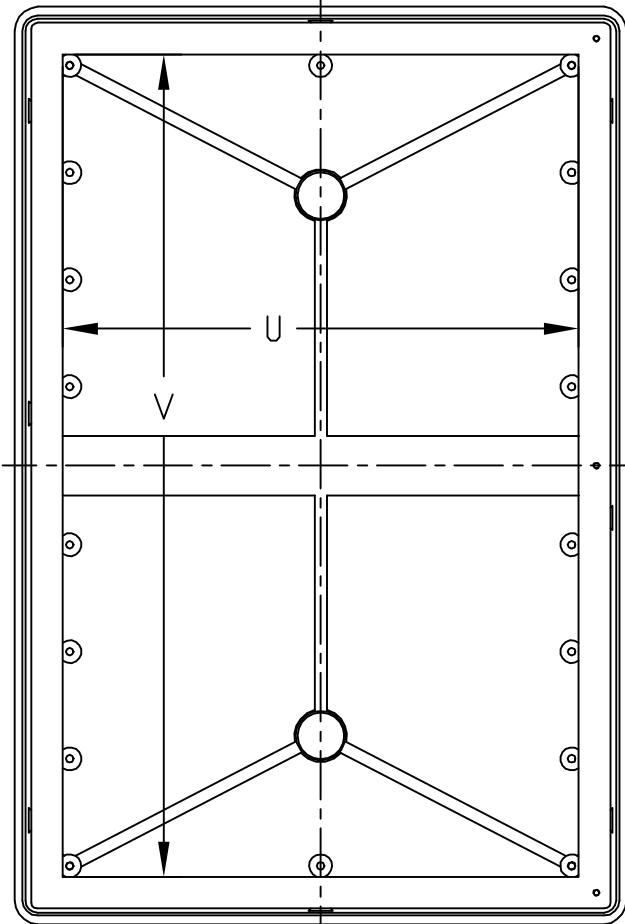
INDUSTRY STANDARDS:

UL508 TYPE 1, 2, 4, 4X INDOOR, 12 & 13
 NEMA TYPE 1, 2, 4, 4X, 12 & 13
 IEC529-IP65

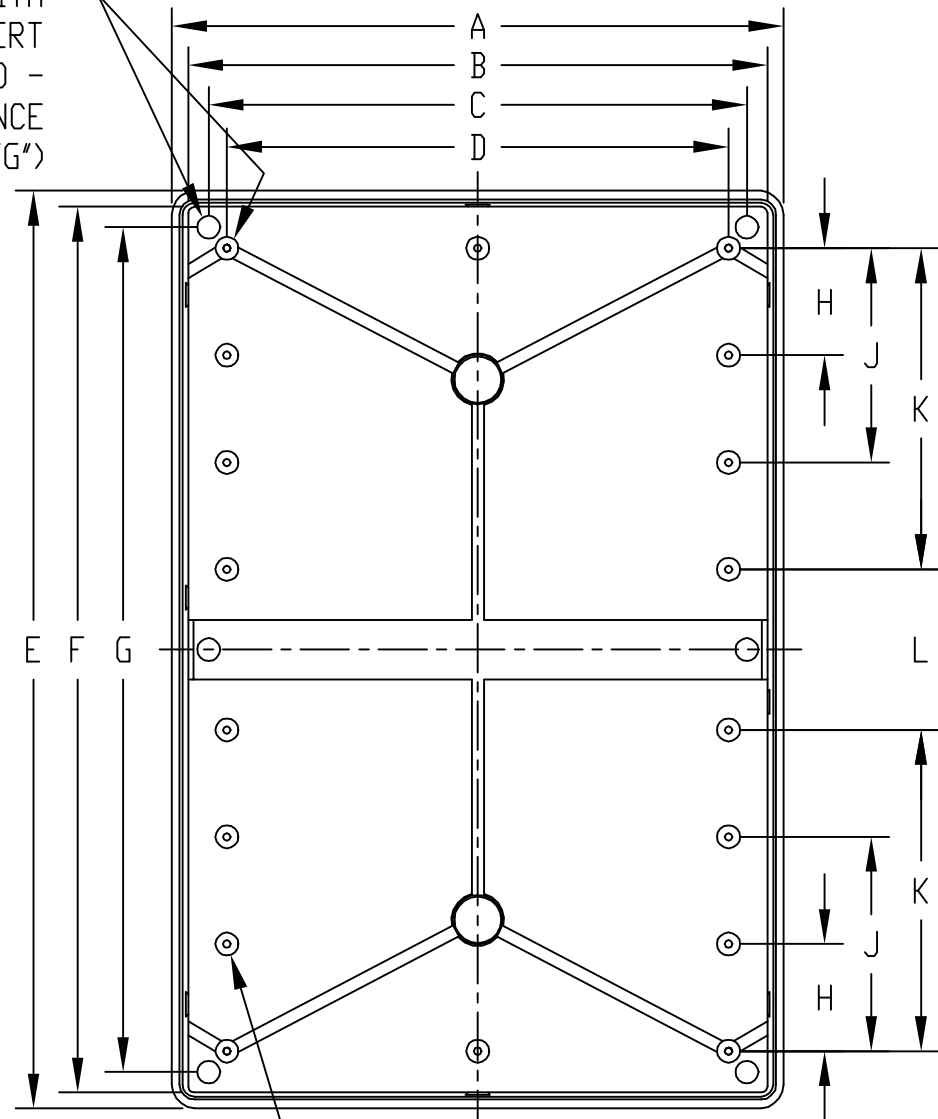
COVER INCLUDES GRAY POLY-URETHANE GASKET.

INTERNAL HINGED PANEL MOUNTING BRACKETS, AIR & MOISTURE VENTS, STAINLESS STEEL LOCKING HASP AND GALVANIZED STEEL INTERNAL PANEL ARE NOT INCLUDED, BUT CAN BE PURCHASED SEPARATELY.

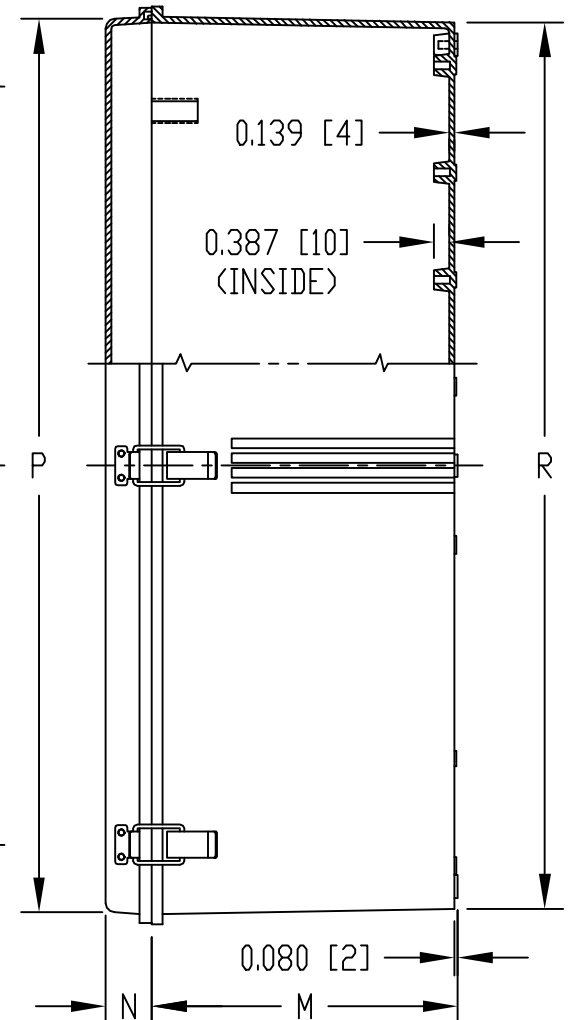
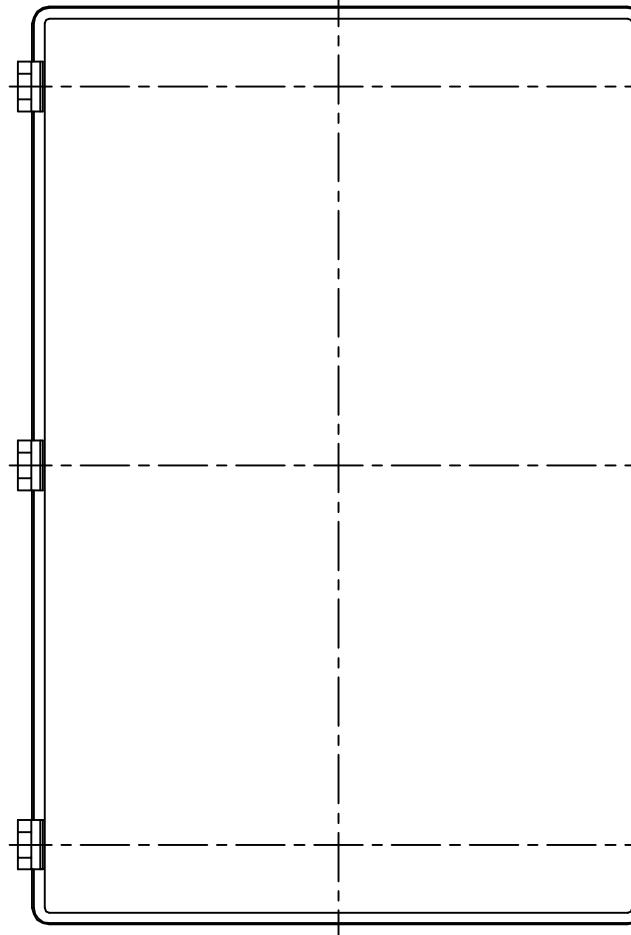
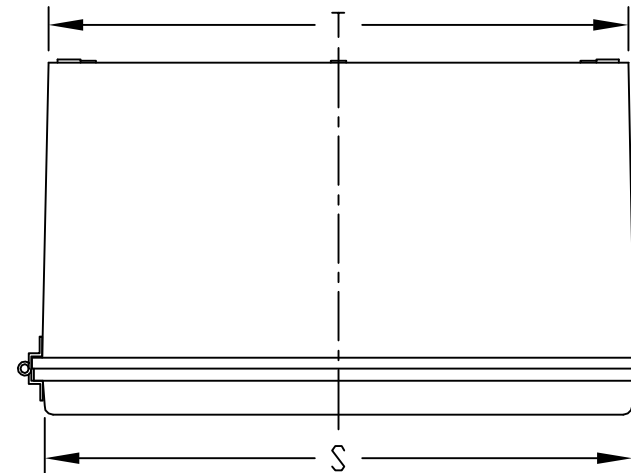
0.590 [15] DIA. BOSS WITH M5 x 0.8mm THREADED BRASS INSERT (4) PL'S INSIDE AS SHOWN - AND - (6) PL'S OUTSIDE (REFERENCE LOCATION DIMENSIONS "C" AND "G")



VIEW LESS COVER 0.590 [15] DIA. BOSS WITH 0.197 [5] DIA. HOLE x 0.410 [10] DEEP (14) PLACES BOSSES ACCEPT M6 METRIC OR 0.250" STD. SHEET METAL SCREWS x 0.375 [9] LG. (NOT SUPPLIED)



VIEW LESS COVER AND PANEL MOUNTING FRAME



NOTE: ALL DIMENSIONS HAVE ±0.039 [±1] TOLERANCE UNLESS OTHERWISE SPECIFIED

PART NO.		DIMENSIONS = INCHES [MILLIMETERS]																		
GRAY COVER	CLEAR COVER	A	B	C	D	E	F	G	H	J	K	L	M	N	P	R	S	T	U	V
NBA-10156	NBA-10176	15.733 [400]	14.900 [378]	13.843 [352]	12.903 [328]	23.610 [600]	22.785 [579]	21.734 [552]	2.755 [70]	5.512 [140]	8.262 [210]	4.130 [105]	7.871 [200]	1.185 [30]	22.982 [584]	22.812 [579]	15.120 [384]	14.920 [380]	13.273 [337]	21.150 [537]

Mouser Electronics

Authorized Distributor

Click to View Pricing, Inventory, Delivery & Lifecycle Information:

[Bud Industries:](#)

[NBA-10156](#) [NBA-10176](#)