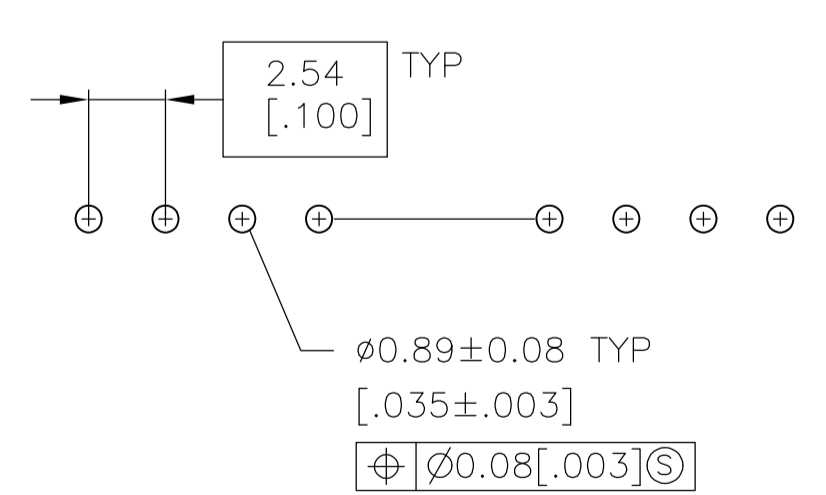
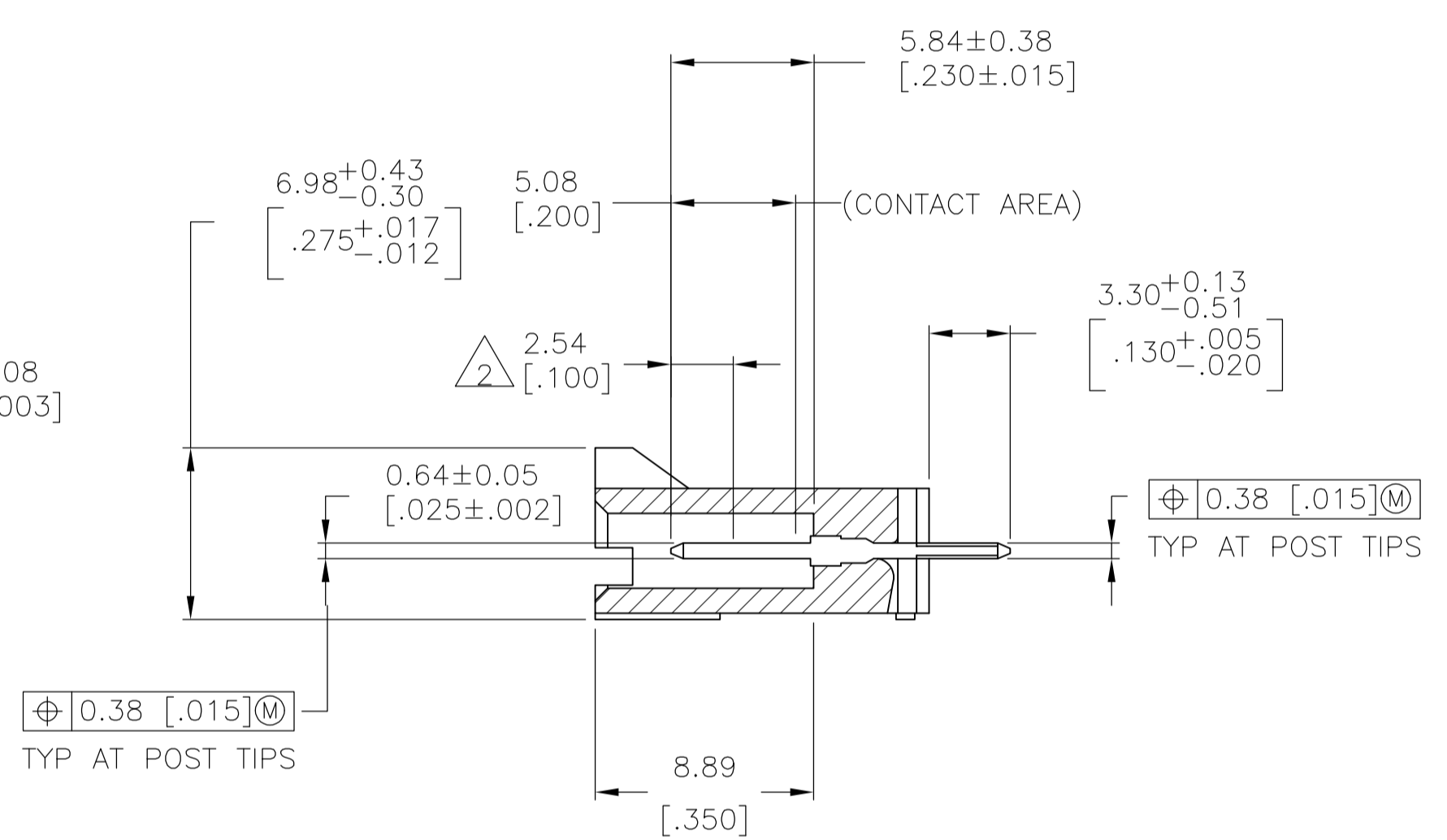
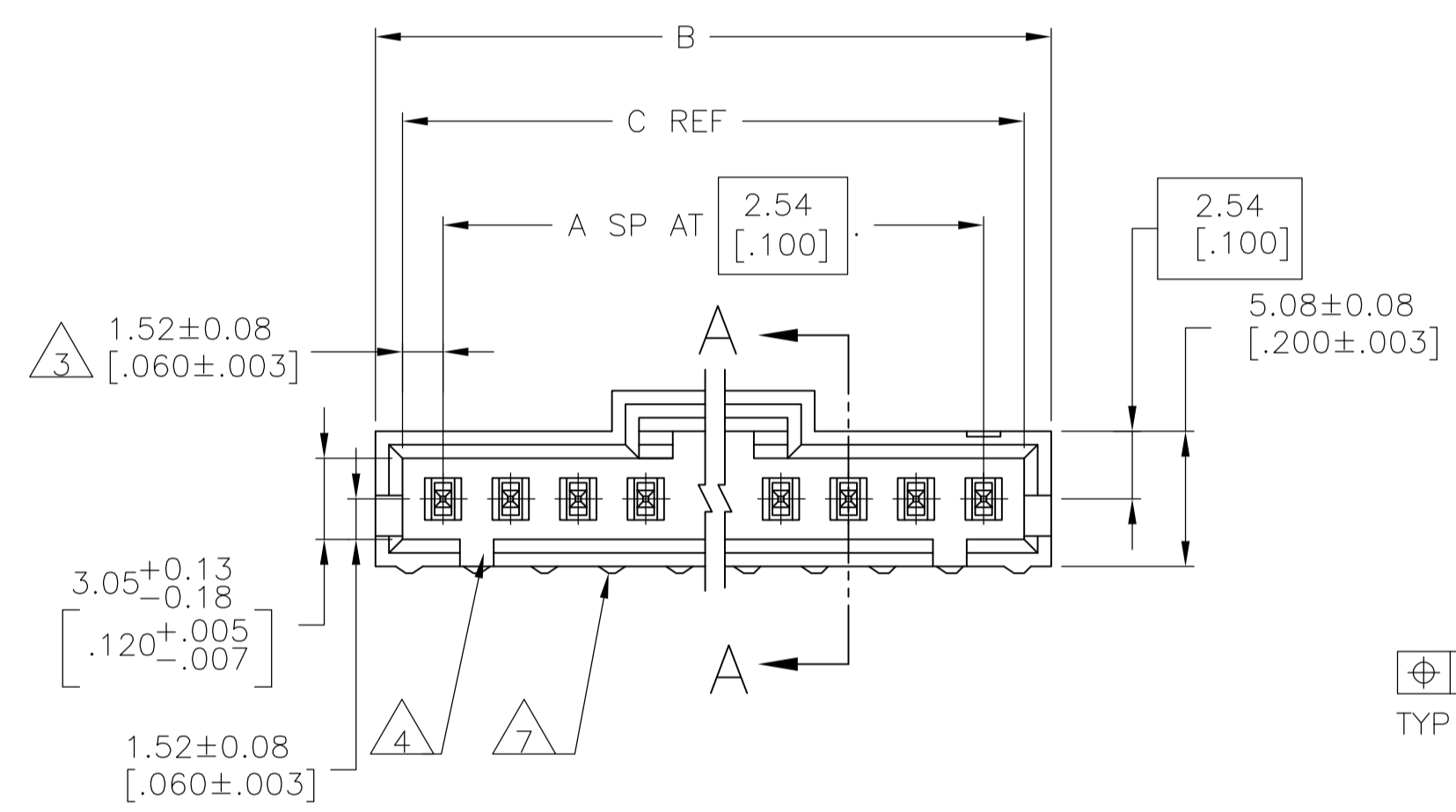
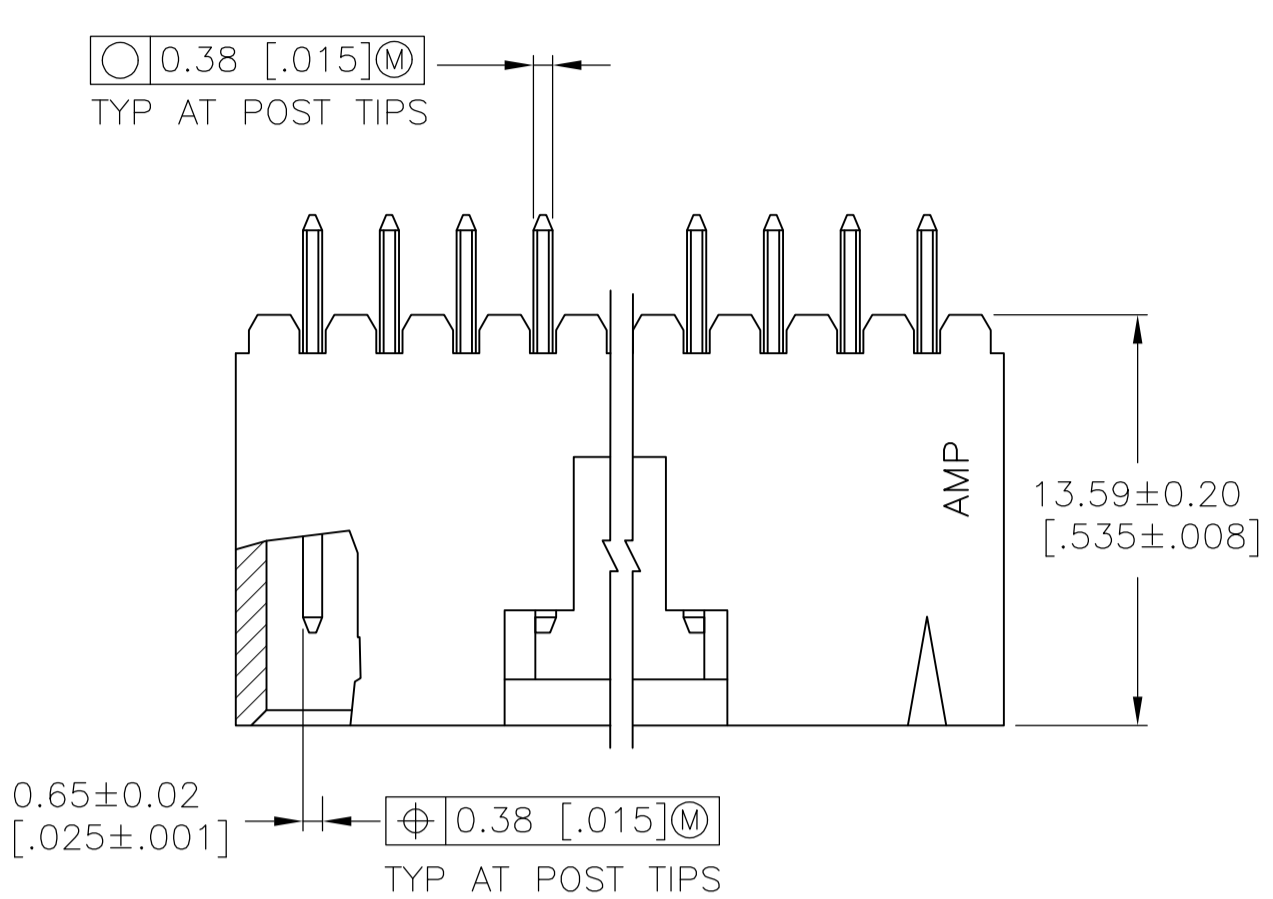


REVISIONS					
REV	DATE	BY	CHKD	APPV	DESCRIPTION
U2	11MAR11		RK	HMR	REVISED PER ECO-11-004587
V	11APR2017		RS	MM	REVISED PER ECO-17-002209

- 1 .00076[.000030] GOLD IN THE CONTACT AREA, .00254[.000100] MATTE TIN-LEAD ON REMAINDER OF CONTACT, ALL OVER .00127[.000050] NICKEL.
- 2 POINT OF MEASUREMENT FOR PLATING THICKNESS.
- 3 THE NOTED DIMENSIONS APPLY AT THE INTERSECTION OF THE POST AND THE HOUSING.
- 4 ON ASSEMBLIES WITH FOUR OR MORE POSITIONS, TWO POLARIZATION SLOTS. ON ASSEMBLIES WITH TWO OR THREE POSITIONS, ONE POLARIZATION SLOT.
- 5 .00076[.000030] GOLD IN THE CONTACT AREA, .00254[.000100] MATTE TIN ON REMAINDER OF CONTACT, ALL OVER .00127[.000050] NICKEL.
- 6 HIGH TEMPERATURE CONFIGURATION
- 7 STANDOFFS NOT PRESENT ON UNDERSIDE OF ASSEMBLY
- 8 OBSOLETE PARTS: OBSOLETE CIS STREAMLINING PER D.RENAUD/D.SINISI



RECOMMENDED HOLE LAYOUT


REV	DATE	BY	CHKD	APPV	DESCRIPTION
6					64.01 [2.520]
6					65.91 [2.595]
6					24
6					25
6					2-103735-4
8					OBSOLETE
6					61.47 [2.420]
6					63.37 [2.495]
6					23
6					24
6					-2-103735-3
8					OBSOLETE
6					58.93 [2.320]
6					60.83 [2.395]
6					22
6					23
6					-2-103735-2
8					OBSOLETE
6					58.39 [2.220]
6					58.29 [2.295]
6					21
6					22
6					-2-103735-1
8					OBSOLETE
6					53.85 [2.120]
6					55.75 [2.195]
6					20
6					21
6					-2-103735-0
6					51.31 [2.020]
6					53.21 [2.095]
6					19
6					20
6					1-103735-9
8					OBSOLETE
6					48.77 [1.920]
6					50.67 [1.995]
6					18
6					19
6					-1-103735-8
6					46.23 [1.820]
6					48.13 [1.895]
6					17
6					18
6					1-103735-7
6					43.69 [1.720]
6					45.59 [1.795]
6					16
6					17
6					1-103735-6
6					41.15 [1.620]
6					43.05 [1.695]
6					15
6					16
6					1-103735-5
6					38.61 [1.520]
6					40.51 [1.595]
6					14
6					15
6					1-103735-4
6					36.07 [1.420]
6					37.97 [1.495]
6					13
6					14
6					1-103735-3
6					33.53 [1.320]
6					35.43 [1.395]
6					12
6					13
6					1-103735-2
6					30.99 [1.220]
6					32.89 [1.295]
6					11
6					12
6					1-103735-1
6					28.45 [1.120]
6					30.35 [1.195]
6					10
6					11
6					1-103735-0
6					25.91 [1.020]
6					27.81 [1.095]
6					9
6					10
6					103735-9
6					23.37 [0.920]
6					25.27 [0.995]
6					8
6					9
6					103735-8
6					20.83 [0.820]
6					22.73 [0.895]
6					7
6					8
6					103735-7
6					18.29 [0.720]
6					20.19 [0.795]
6					6
6					7
6					103735-6
6					15.75 [0.620]
6					17.65 [0.695]
6					5
6					6
6					103735-5
6					13.21 [0.520]
6					15.11 [0.595]
6					4
6					5
6					103735-4
6					10.67 [0.420]
6					12.57 [0.495]
6					3
6					4
6					103735-3
6					8.13 [0.320]
6					10.03 [0.395]
6					2
6					3
6					103735-2
6					5.59 [0.220]
6					7.49 [0.295]
6					1
6					2
6					103735-1

REMARKS	PLATING	C	B	A	NO. OF POSN	PART NO.

THIS DRAWING IS A CONTROLLED DOCUMENT.		DIN S. SHUEY 3-5-91		TE Connectivity	
DIMENSIONS: mm [INCHES]		TOLERANCES UNLESS OTHERWISE SPECIFIED:			
0 PLC ± - 1 PLC ± - 2 PLC ± 0.13[.005] 3 PLC ± - 4 PLC ± - ANGLES ± -		0 PLC ± - 1 PLC ± - 2 PLC ± 0.13[.005] 3 PLC ± - 4 PLC ± - ANGLES ± -		NAME: HDR ASSY, VERT, SINGLE ROW 2.54[.100] @, 0.64[.025] SQ POST, WITH PLZN & LATCHING, AMPMODU MTE	
MATERIAL: HOUSING: PLZ REMAINS UNCHANGED CONTACTS: BRASS		FINISH: SEE TABLE		SIZE: A1 CAGE CODE: 00779 DRAWING NO: 103735 RESTRICTED TO: CUSTOMER DRAWING	
		WEIGHT:		SCALE: 4:1 SHEET 1 OF 2 REV V	

REVISIONS					
P	LTR	DESCRIPTION	DATE	DMN	APVD
		SEE SHEET 1	-	-	-

		\triangle_6	\triangle_7	\triangle_5	64.01 [2.520]	65.91 [2.595]	24	25	7-103735-4
\triangle_8	OBSOLETE	\triangle_6	\triangle_7	\triangle_5	61.47 [2.420]	63.37 [2.495]	23	24	-7-103735-3
\triangle_8	OBSOLETE	\triangle_6	\triangle_7	\triangle_5	58.93 [2.320]	60.83 [2.395]	22	23	-7-103735-2
\triangle_8	OBSOLETE	\triangle_6	\triangle_7	\triangle_5	56.39 [2.220]	58.29 [2.295]	21	22	-7-103735-1
\triangle_8	OBSOLETE	\triangle_6	\triangle_7	\triangle_5	53.85 [2.120]	55.75 [2.195]	20	21	-7-103735-0
		\triangle_6	\triangle_7	\triangle_5	51.31 [2.020]	53.21 [2.095]	19	20	6-103735-9
\triangle_8	OBSOLETE	\triangle_6	\triangle_7	\triangle_5	48.77 [1.920]	50.67 [1.995]	18	19	-6-103735-8
\triangle_8	OBSOLETE	\triangle_6	\triangle_7	\triangle_5	46.23 [1.820]	48.13 [1.895]	17	18	-6-103735-7
		\triangle_6	\triangle_7	\triangle_5	43.69 [1.720]	45.59 [1.795]	16	17	6-103735-6
		\triangle_6	\triangle_7	\triangle_5	41.15 [1.620]	43.05 [1.695]	15	16	6-103735-5
		\triangle_6	\triangle_7	\triangle_5	38.61 [1.520]	40.51 [1.595]	14	15	6-103735-4
		\triangle_6	\triangle_7	\triangle_5	36.07 [1.420]	37.97 [1.495]	13	14	6-103735-3
\triangle_8	OBSOLETE	\triangle_6	\triangle_7	\triangle_5	33.53 [1.320]	35.43 [1.395]	12	13	-6-103735-2
		\triangle_6	\triangle_7	\triangle_5	30.99 [1.220]	32.89 [1.295]	11	12	6-103735-1
		\triangle_6	\triangle_7	\triangle_5	28.45 [1.120]	30.35 [1.195]	10	11	6-103735-0
		\triangle_6	\triangle_7	\triangle_5	25.91 [1.020]	27.81 [1.095]	9	10	5-103735-9
		\triangle_6	\triangle_7	\triangle_5	23.37 [.920]	25.27 [0.995]	8	9	5-103735-8
		\triangle_6	\triangle_7	\triangle_5	20.83 [.820]	22.73 [.895]	7	8	5-103735-7
		\triangle_6	\triangle_7	\triangle_5	18.29 [.720]	20.19 [.795]	6	7	5-103735-6
		\triangle_6	\triangle_7	\triangle_5	15.75 [.620]	17.65 [.695]	5	6	5-103735-5
		\triangle_6	\triangle_7	\triangle_5	13.21 [.520]	15.11 [.595]	4	5	5-103735-4
		\triangle_6	\triangle_7	\triangle_5	10.67 [.420]	12.57 [.495]	3	4	5-103735-3
		\triangle_6	\triangle_7	\triangle_5	8.13 [.320]	10.03 [.395]	2	3	5-103735-2
		\triangle_6	\triangle_7	\triangle_5	5.59 [.220]	7.49 [.295]	1	2	5-103735-1
	REMARKS		PLATING		C	B	A	NO. OF POSN	PART NO.

THIS DRAWING IS A CONTROLLED DOCUMENT.		DMN S. SHUEY 3-5-91	 TE Connectivity
DIMENSIONS: mm [INCHES]		CHK L. CASTAGNA 3-27-91	
TOLERANCES UNLESS OTHERWISE SPECIFIED:		APVD L. CASTAGNA 3-27-91	NAME
0. PLC ± - 1. PLC ± - 2. PLC ± - 3. PLC ± - 4. PLC ± - ANGLES ± -		PRODUCT SPEC	HDR ASSY, VERT, SINGLE ROW 2.54[.100] @ 0.64[.025] SQ POST, WITH PLZN & LATCHING, AMPMODU MTE
MATERIAL: HOUSING: TAMP REMOVAL (UP) COLOUR-BLACK CONTACTS: BRASS		WEIGHT	SIZE: A1
FINISH: SEE TABLE		CAGE CODE: 00779	DRAWING NO: 103735
		CUSTOMER DRAWING	RESTRICTED TO: -
		SCALE: 4:1	SHEET 2 OF 2

Mouser Electronics

Authorized Distributor

Click to View Pricing, Inventory, Delivery & Lifecycle Information:

[TE Connectivity:](#)

[5-103735-1](#)