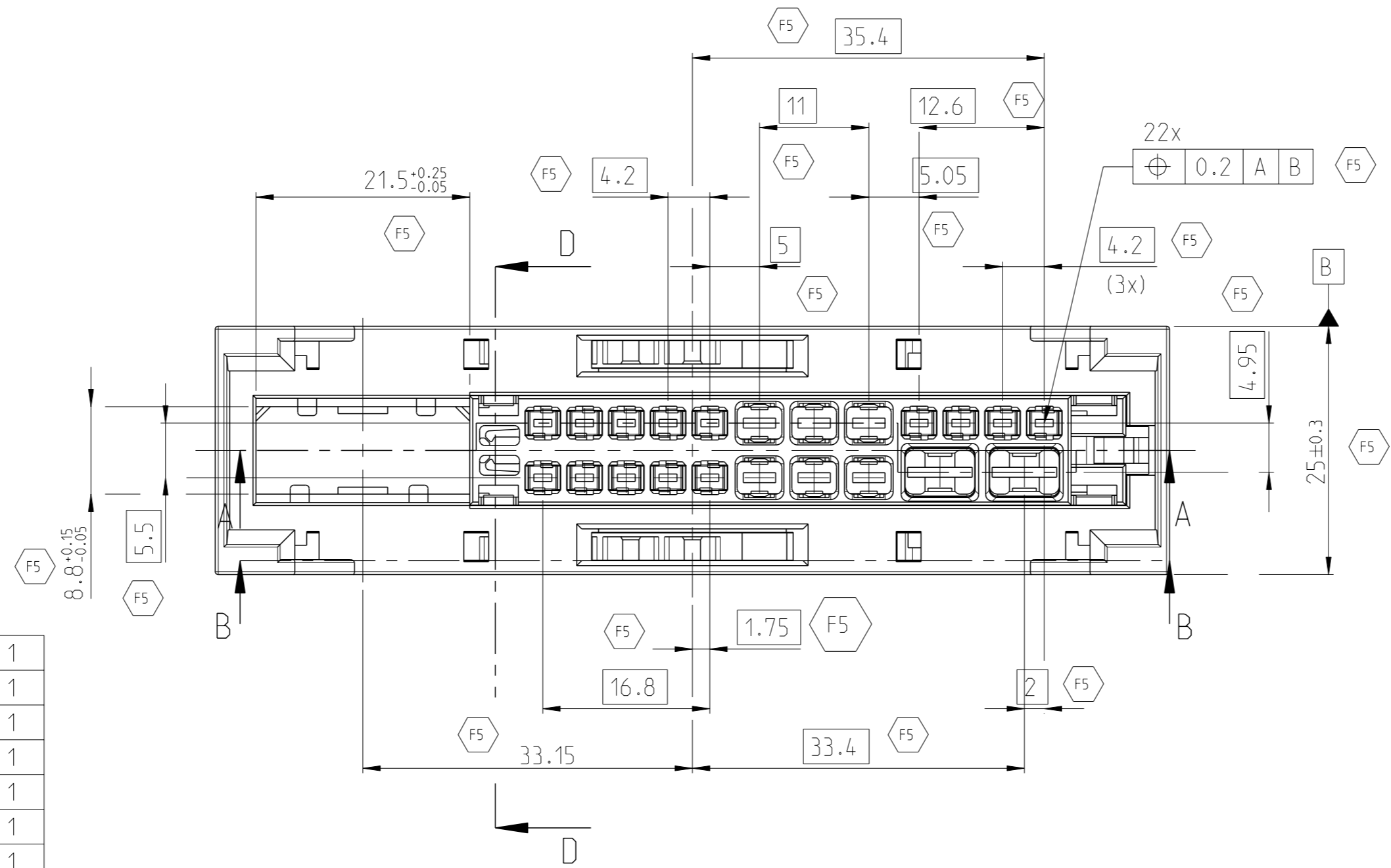
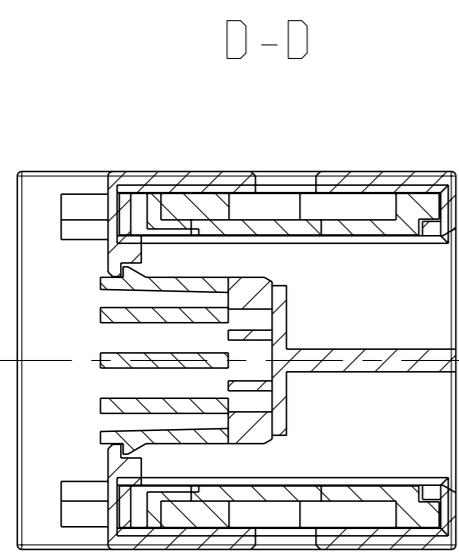
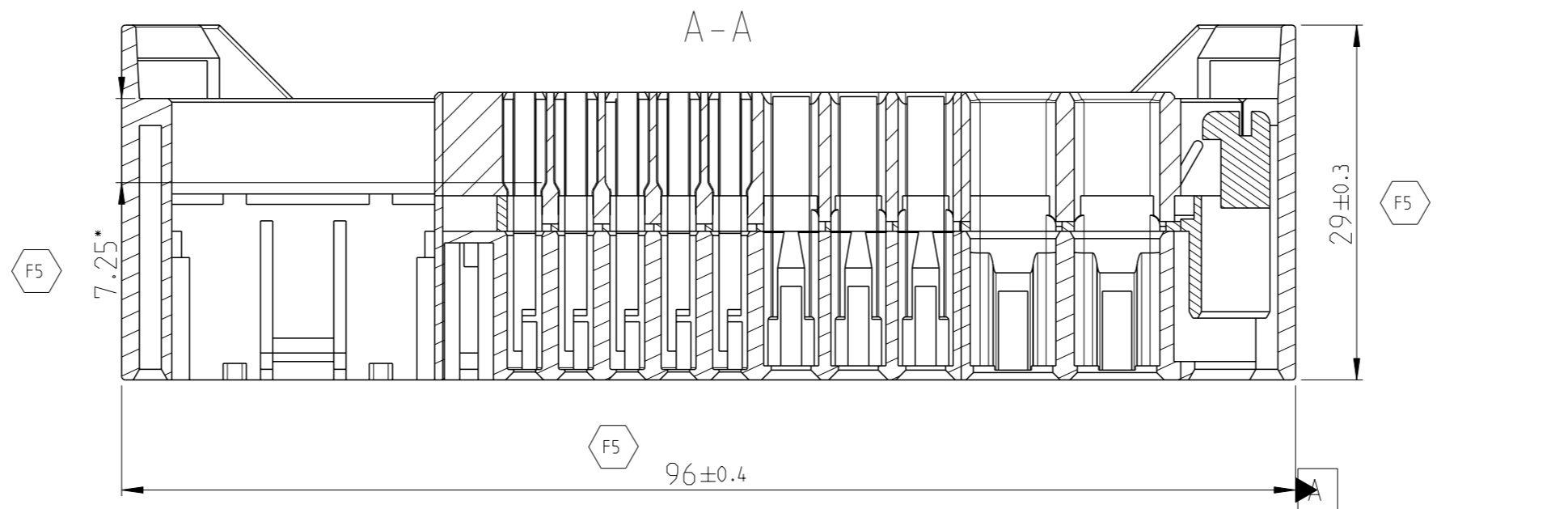
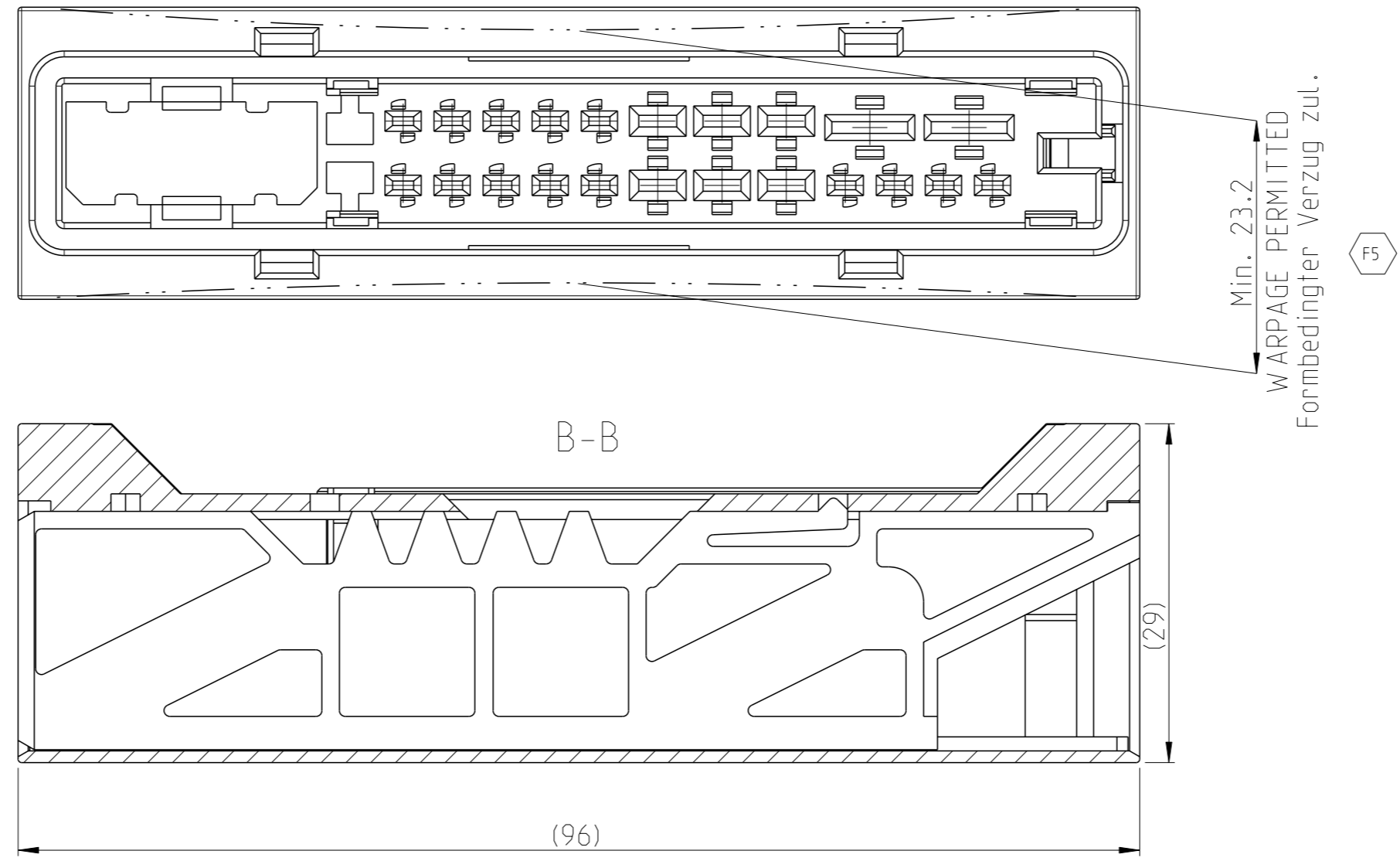
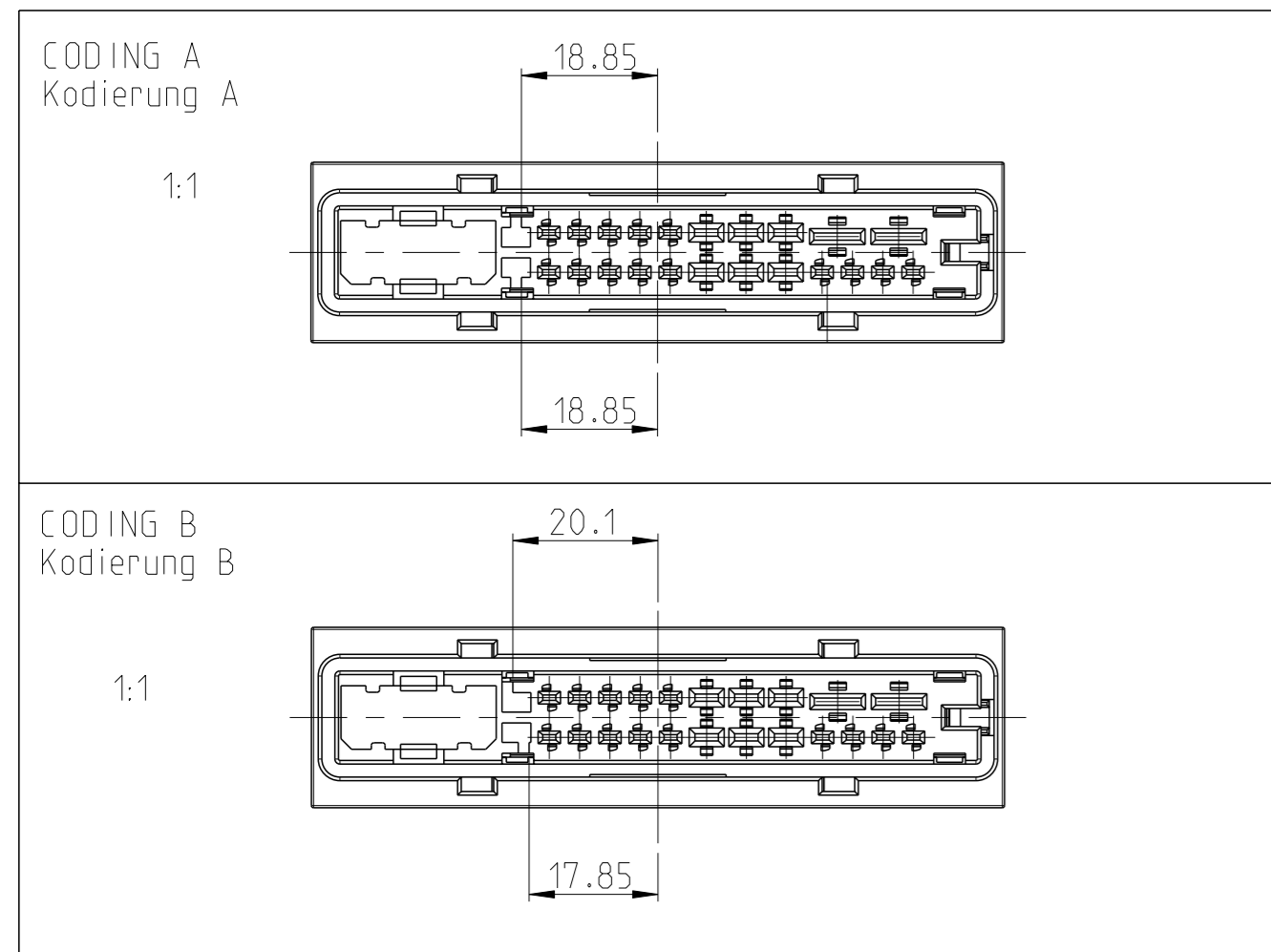


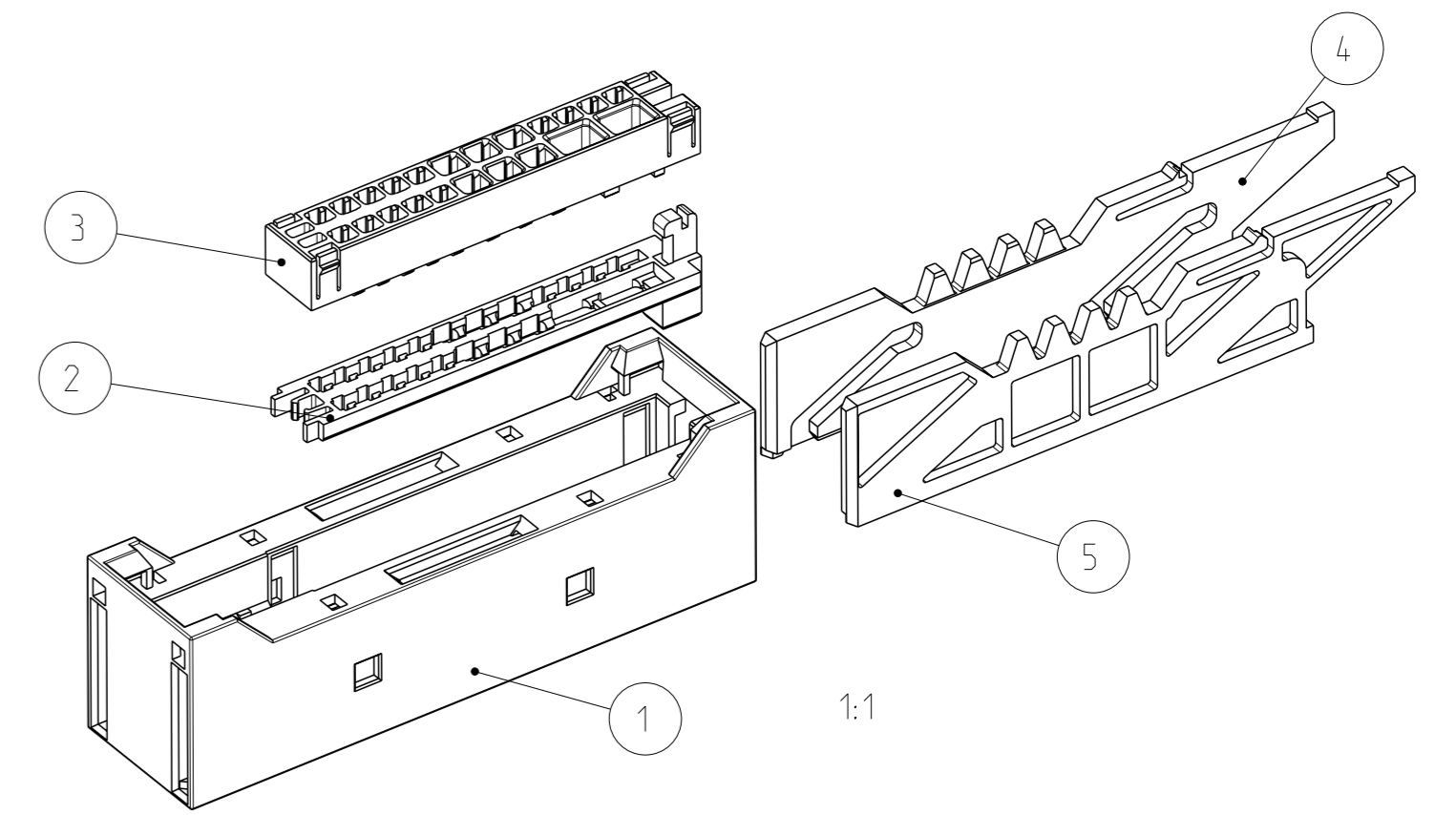
IN CONSEQUENCE OF INCIDENCE / DISTORTION IS PERMITTED IN THIS RANGE  
 Bedingt durch Einfall / Verzug in diesem Bereich zulaessig

REVISIONS				
F	DATE	DESCRIPTION	OWN	APVD
F3	11OCT2010	Drawing update	RD	MZ
F4	29JUL2011	Add new version 2-1534180-1	GB	SZG
F5	13FEB2015	ECR-15-001938	JB,JH	GB
F6	19NOV2015	Add new version 2-1534180-2	JB,JH	GB

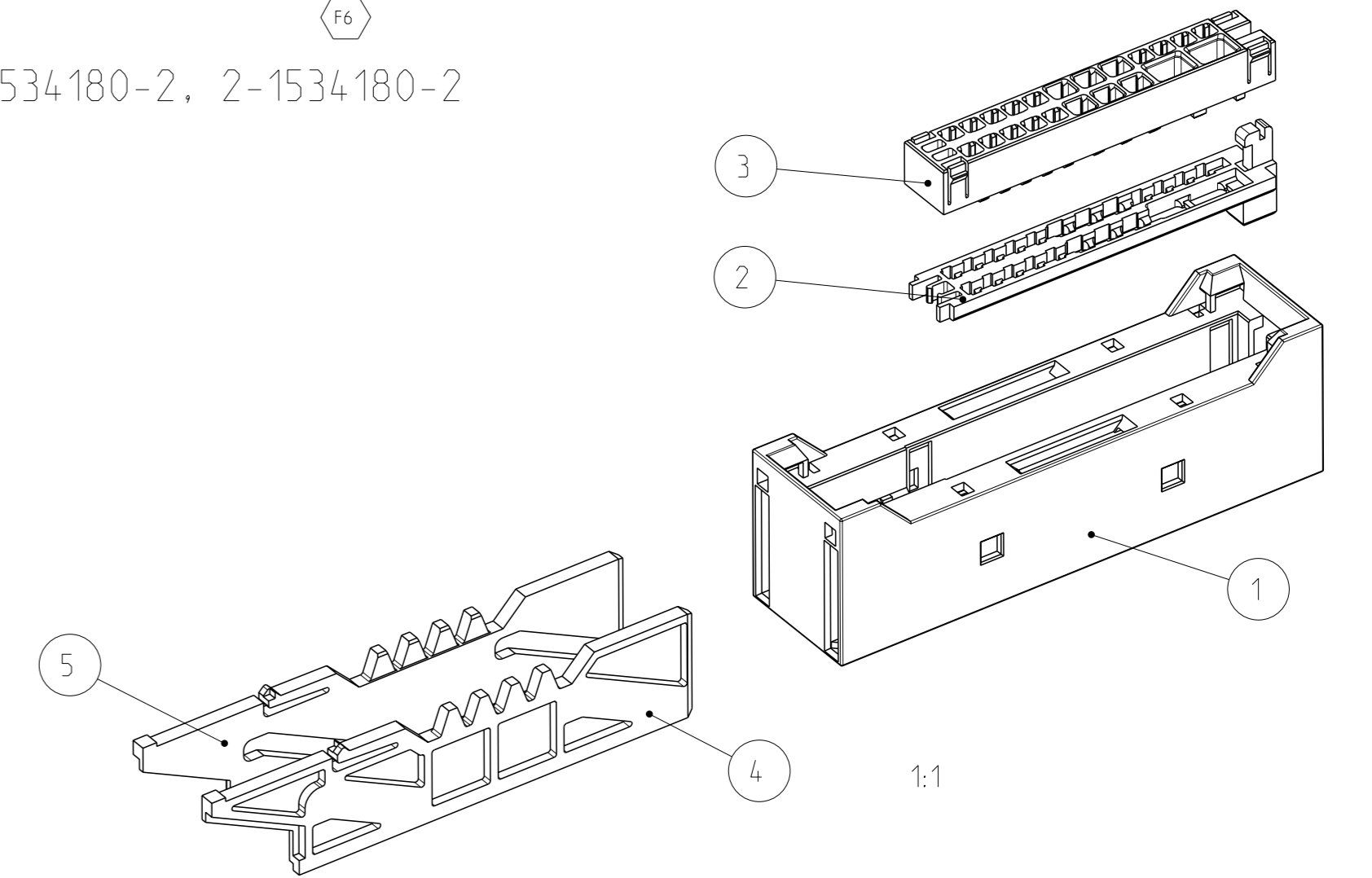
1. PACKAGING: INTERLAYER PACKAGING IN CURRUGATED BOX  
 Verpackung: Lagenweise im Karton



1534180-1, 2-1534180-1



1534180-2, 2-1534180-2



ORDER-NO. Bestell-Nr.	ITEM Nr.	Rev.	Cod.	PART-NO. Teil-Nr.	Material	COLOUR Farbe	DISCRIPTION Benennung	QTY. St.
2-1534180-2	5		A	1534179-1	PA66-GF33	BLACK / schwarz	SLIDE LEFT / Schieber, links	1
	4		A	1534178-1	PA66-GF33	BLACK / schwarz	SLIDE RIGHT / Schieber, rechts	1
	3		A	1534052-1	PA66-GF13	BLACK / schwarz	HOLDER-PLATE / Halteplatte	1
	2		A	1534051-1	PA66-GF30	VIOLET / violett	RETAINER / Halter	1
	1		A	2-1534050-2	PBT+ASA-GF20	WHITE / weiß	CARRIER HSG. / Traeger haeuse	1
2-1534180-1	5		A	1534179-1	PA66-GF33	BLACK / schwarz	SLIDE LEFT / Schieber, links	1
	4		A	1534178-1	PA66-GF33	BLACK / schwarz	SLIDE RIGHT / Schieber, rechts	1
	3		A	1534052-1	PA66-GF13	BLACK / schwarz	HOLDER-PLATE / Halteplatte	1
	2		A	1534051-1	PA66-GF30	VIOLET / violett	RETAINER / Halter	1
	1		A	2-1534050-1	PBT+ASA-GF20	WHITE / weiß	CARRIER HSG. / Traeger haeuse	1
1534180-2	5		B	1534179-1	PA66-GF33	BLACK / schwarz	SLIDE LEFT / Schieber, links	1
	4		B	1534178-1	PA66-GF33	BLACK / schwarz	SLIDE RIGHT / Schieber, rechts	1
	3		B	1534052-1	PA66-GF13	BLACK / schwarz	HOLDER-PLATE / Halteplatte	1
	2		B	1534051-1	PA66-GF30	VIOLET / violett	RETAINER / Halter	1
	1		B	1534050-2	PBT+ASA-GF20	BLACK / schwarz	CARRIER HSG. / Traeger haeuse	1
1534180-1	5		E	1534179-1	PA66-GF33	BLACK / schwarz	SLIDE LEFT / Schieber, links	1
	4		E	1534178-1	PA66-GF33	BLACK / schwarz	SLIDE RIGHT / Schieber, rechts	1
	3		E	1534052-1	PA66-GF13	BLACK / schwarz	HOLDER-PLATE / Halteplatte	1
	2		E	1534051-1	PA66-GF30	VIOLET / violett	RETAINER / Halter	1
	1		E	1534050-1	PBT+ASA-GF20	BLACK / schwarz	CARRIER HSG. / Traeger haeuse	1

PRODUCT CHARACTERISTICS ACC. QMP EMEA\_12  
 BESONDERE MERKMALE NACH QMP EMEA\_12

TOLERANCES UNLESS OTHERWISE SPECIFIED ACC. TO DIN 16901-140. CENTRIC TO NOMINAL DIMENSION. EDITION 1982-11. SHALL APPLY. FREIHALTUNG NACH DIN 16901-140. Es gilt die Ausgabe 1982-11.

THIS DRAWING IS A CONTROLLED DOCUMENT. DIMENSIONING AND TOLERANCING PER GPS (ISO STANDARDS).

OWN: R. Dierkes, 04MAR2004  
 CHK: B. Leonhardt, 09MAR2004

APVD: -

NAME: REC. HOUSING 32POS. MCP. SUB-ASSY.  
 Buchsengehaeuse 32pol. MCP. ZSB

SIZE: A1  
 CAGE CODE: 114-18619-001  
 DRAWING NO: 00779  
 SCALE: 2:1

RESTRICTED TO: -  
 SHEET: 1 OF 1  
 REV: F6

Customer Drawing

# Mouser Electronics

Authorized Distributor

Click to View Pricing, Inventory, Delivery & Lifecycle Information:

[TE Connectivity:](#)

[1534180-2](#)