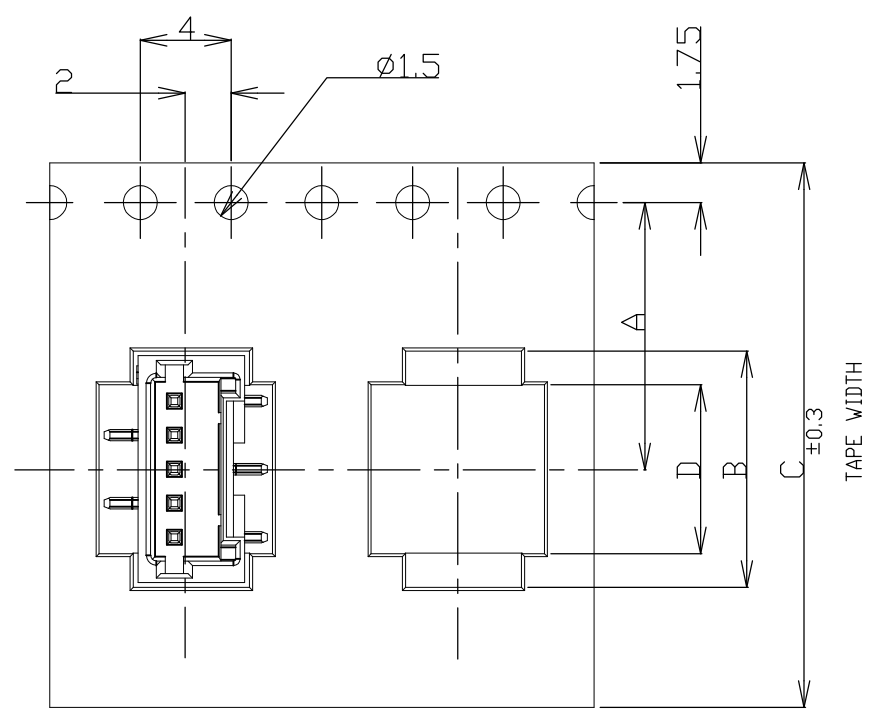
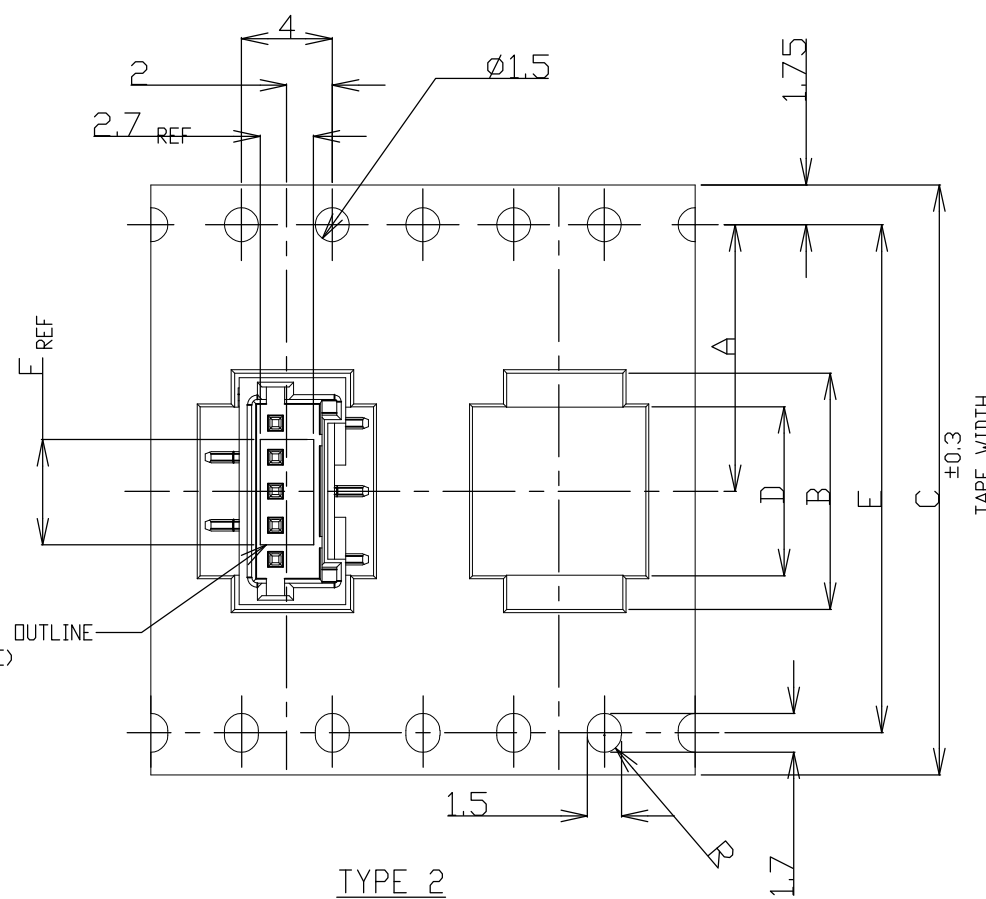


THIS DRAWING IS UNPUBLISHED. RELEASED FOR PUBLICATION  
 © COPYRIGHT - By - ALL RIGHTS RESERVED.

LOC		DIST		REVISIONS					
ES		00		P	LTR	DESCRIPTION	DATE	DWN	APVD
					D1	REVISED PER ECO-11-005033	28MAR11	RK	HMR



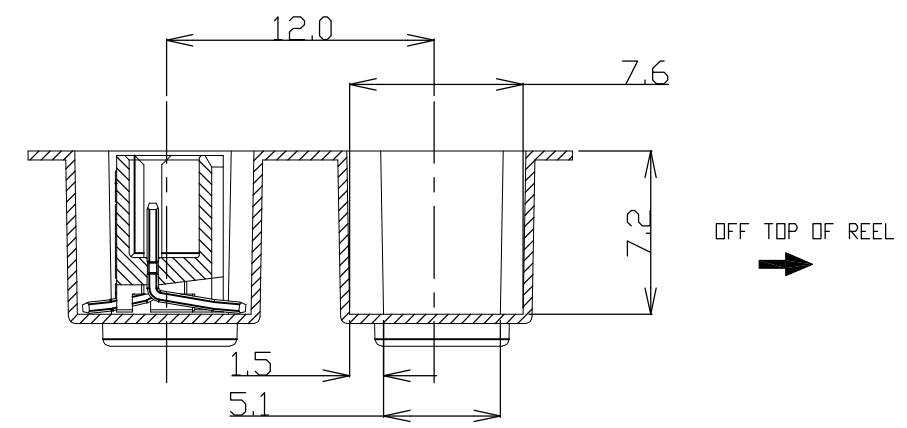
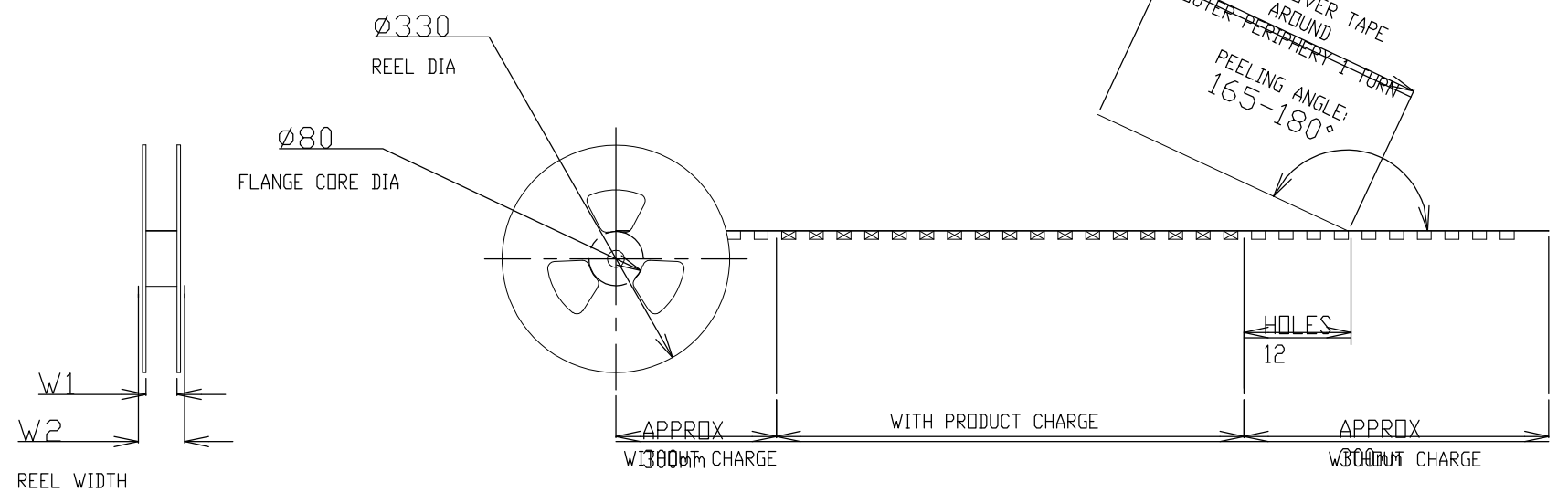
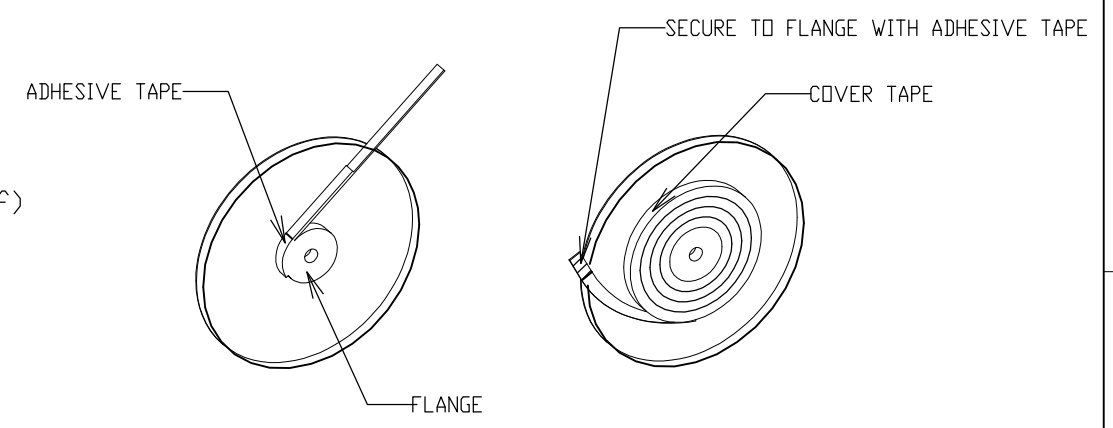
TYPE 1



TYPE 2

TOLERANCES UNLESS OTHERWISE SPECIFIED:  
 10 > : ±0.2  
 30 > \* > 10 : ±0.25  
 100 > \* > 30 : ±0.3  
 ANGLE : ±3°

NOTE:  
 1. PEELING STRENGTH: 0.20-0.69N (20-70gf)  
 PEELING ANGLE: 165-180°  
 PEELING SPEED: 300mm/MINUTE.



THIS DRAWING IS A CONTROLLED DOCUMENT.		DWN	S.XU	31JAN03	<b>STE</b> TE Connectivity
		CHK	S.YAO	31JAN03	
		APVD	T.SASAKI	31JAN03	NAME
		PRODUCT SPEC			AMP MINI COMMON TERMINATED (CT) CONNECTOR
		APPLICATION SPEC			1.5 mm PITCH SINGLE ROW POST HDR ASS'Y (V)
		WEIGHT			SMT TYPE WITHOUT BOSS, EMBOSS TAPE PACKAGED
		CUSTOMER DRAWING			SIZE
		SCALE			CAGE CODE
		SHEET			DRAWING NO
		RESTRICTED TO			REV
		NON			1 OF 4
		D1			


THIS DRAWING IS UNPUBLISHED. RELEASED FOR PUBLICATION  
 © COPYRIGHT - By - ALL RIGHTS RESERVED.

LOC	DIST	REVISIONS					
ES	00	P	LTR	DESCRIPTION	DATE	DWN	APVD
		-		SEE SHEET 1	-	-	-

TYPE	DIMENSIONS								QTY/REEL	POS	COLOR	ON TAPE P/N		
	W2	W1	F	E	D	C	B	A						
TYPE 2	49.5	45.5	6.2	40.4	29.9	44	32.9	20.2±0.15	500	20	BLACK	7-292231-0		
	49.5	45.5	4.7	40.4	28.4	44	31.4		500	19		6-292231-9		
	49.5	45.5	6.2	40.4	26.9	44	29.9		500	18		6-292231-8		
	49.5	45.5	4.7	40.4	25.4	44	28.4		500	17		6-292231-7		
	49.5	45.5	6.2	40.4	23.9	44	26.9		500	16		6-292231-6		
	49.5	45.5	4.7	40.4	22.4	44	25.4		500	15		6-292231-5		
	49.5	45.5	6.2	40.4	20.9	44	23.9		500	14		6-292231-4		
	49.5	45.5	4.7	40.4	19.4	44	22.4		500	13		6-292231-3		
	37.5	33.5	6.2	28.4	17.9	32	20.9		14.2	500		12	6-292231-2	
	37.5	33.5	4.7	28.4	16.4	32	19.4		14.2	500		11	6-292231-1	
TYPE 1	29.5	25.5	6.2	-	11.9	24	14.9	11.5	500	8	5-292231-8			
	29.5	25.5	4.7	-	10.4	24	13.4	11.5	500	7	5-292231-7			
	29.5	25.5	6.2	-	8.9	24	11.9	11.5	500	6	5-292231-6			
	29.5	25.5	4.7	-	7.4	24	10.4	11.5	500	5	5-292231-5			
	21.5	17.5	6.2	-	5.9	16	8.9	7.5	500	4	5-292231-4			
	21.5	17.5	4.7	-	4.4	16	7.4	7.5	500	3	5-292231-3			
	21.5	17.5	2.8	-	2.9	16	5.9	7.5	500	2	-			
TAPE TYPE	W2	W1	F	E	D	C	B	A	DIMENSIONS		QTY/REEL	POS	COLOR	ON TAPE P/N

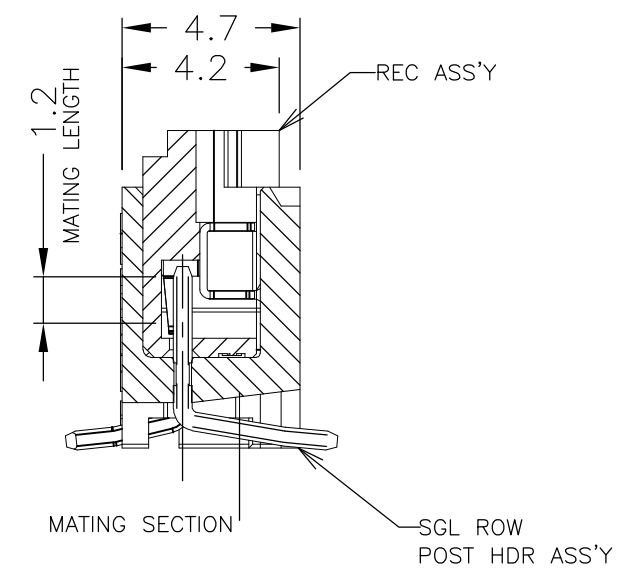
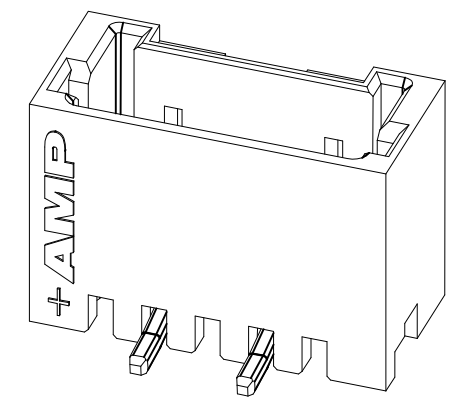
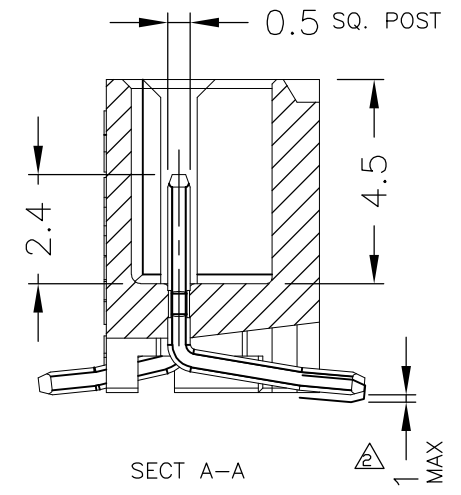
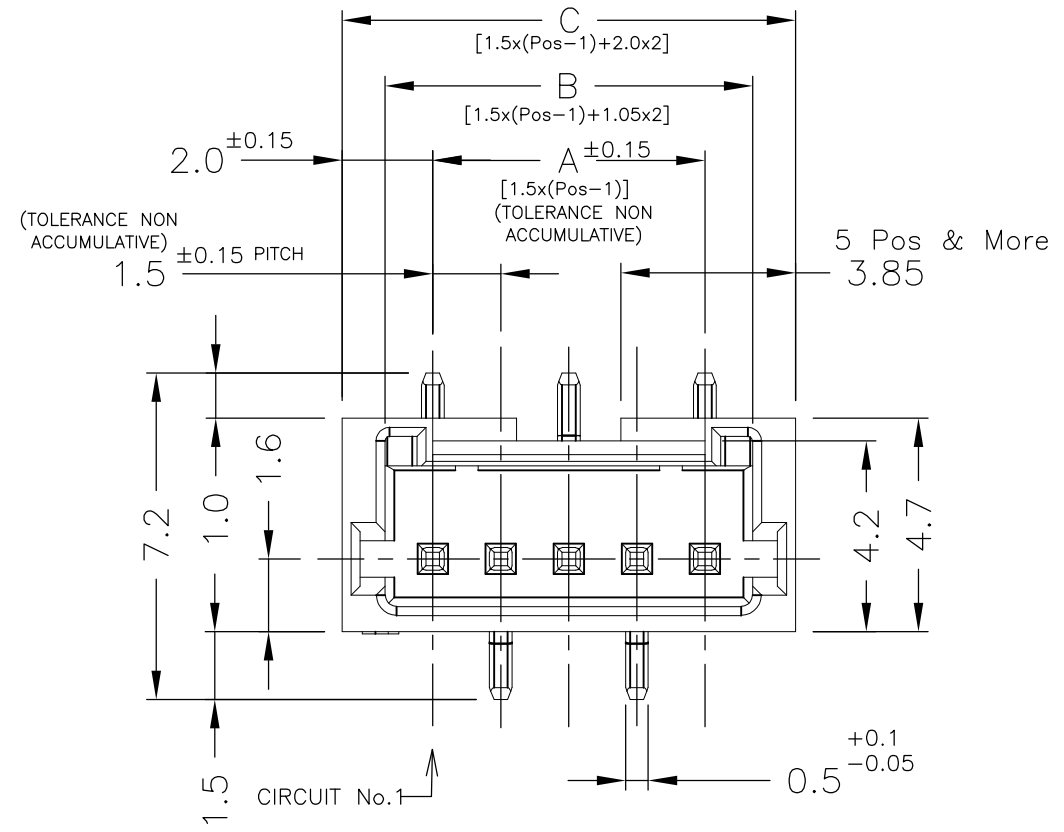
REACTIVATE

TYPE	DIMENSIONS								QTY/REEL	POS	COLOR	ON TAPE P/N		
	W2	W1	F	E	D	C	B	A						
TYPE 2	49.5	45.5	6.2	40.4	29.9	44	32.9	20.2±0.15	500	20	BEIGE	2-292231-0		
	49.5	45.5	4.7	40.4	28.4	44	31.4		500	19		1-292231-9		
	49.5	45.5	6.2	40.4	26.9	44	29.9		500	18		1-292231-8		
	49.5	45.5	4.7	40.4	25.4	44	28.4		500	17		1-292231-7		
	49.5	45.5	6.2	40.4	23.9	44	26.9		500	16		1-292231-6		
	49.5	45.5	4.7	40.4	22.4	44	25.4		500	15		1-292231-5		
	49.5	45.5	6.2	40.4	20.9	44	23.9		500	14		1-292231-4		
	49.5	45.5	4.7	40.4	19.4	44	22.4		500	13		1-292231-3		
	37.5	33.5	6.2	28.4	17.9	32	20.9		14.2	500		12	1-292231-2	
	37.5	33.5	4.7	28.4	16.4	32	19.4		14.2	500		11	1-292231-1	
TYPE 1	29.5	25.5	6.2	-	11.9	24	14.9	11.5	500	8	292231-8			
	29.5	25.5	4.7	-	10.4	24	13.4	11.5	500	7	292231-7			
	29.5	25.5	6.2	-	8.9	24	11.9	11.5	500	6	292231-6			
	29.5	25.5	4.7	-	7.4	24	10.4	11.5	500	5	292231-5			
	21.5	17.5	6.2	-	5.9	16	8.9	7.5	500	4	292231-4			
	21.5	17.5	4.7	-	4.4	16	7.4	7.5	500	3	292231-3			
	21.5	17.5	2.8	-	2.9	16	5.9	7.5	500	2	-			
TAPE TYPE	W2	W1	F	E	D	C	B	A	DIMENSIONS		QTY/REEL	POS	COLOR	ON TAPE P/N

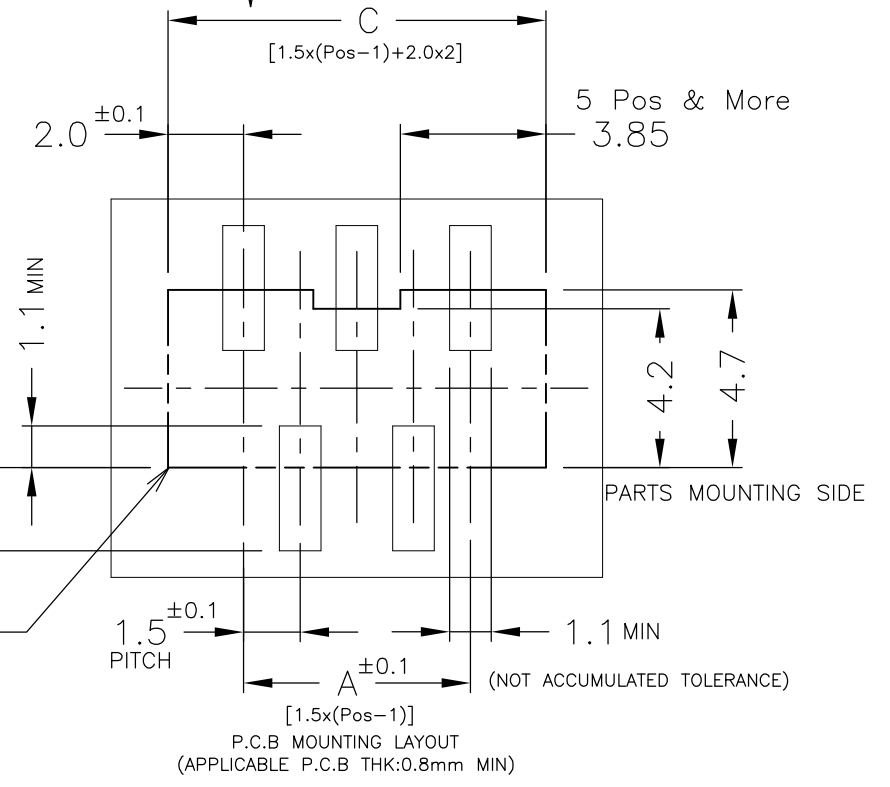
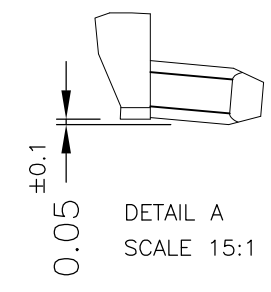
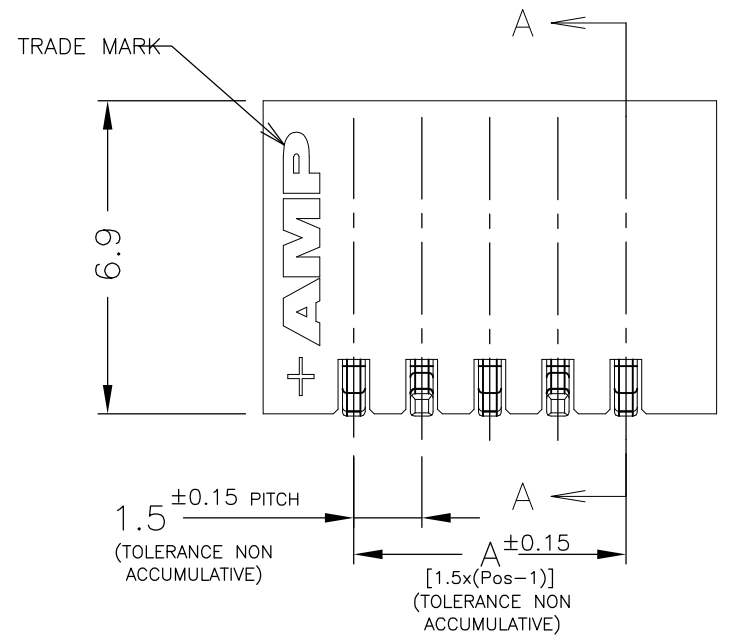
THIS DRAWING IS A CONTROLLED DOCUMENT.		DWN	-	 TE Connectivity	
DIMENSIONS: mm		CHK	-		
TOLERANCES UNLESS OTHERWISE SPECIFIED: 0 PLC ± - 1 PLC ± 0.1 2 PLC ± 0.01 3 PLC ± 0.001 4 PLC ± 0.0001 ANGLES ± -		APVD	-		
MATERIAL		PRODUCT SPEC	SEE SHEET 1 OF 2		
FINISH		APPLICATION SPEC	SEE SHEET 1 OF 2	NAME	
		WEIGHT	-	AMP MINI COMMON TERMINATED (CT) CONNECTOR	
		CUSTOMER DRAWING		SIZE	A3
				CAGE CODE	00779
				DRAWING NO	C-292231
				RESTRICTED TO	-
				SCALE	NON
				SHEET	2 OF 4
				REV	D1

THIS DRAWING IS UNPUBLISHED. RELEASED FOR PUBLICATION  
 © COPYRIGHT - By - ALL RIGHTS RESERVED.

LOC	DIST	REVISIONS					
ES	00	P	LTR	DESCRIPTION	DATE	DWN	APVD
		-		SEE SHEET 1	-	-	-



CIRCUIT No.1




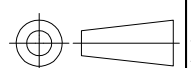
NOTES:  
 MATERIAL:  
 HOUSING: GLASS FILLED, HIGH HEAT RESISTANT NYLON, UL94V-0, COLOR: BEIGE OR BLACK  
 POST:TIN BRASS WIRE  
 TO BE MEASURED WITH CONNECTOR PLACED ON HORIZONTAL DATUM SURFACE, FLOAT OF SOLDER TINE FROM DATUM SURFACE IS 0.1mm MAX.

THIS DRAWING IS A CONTROLLED DOCUMENT.		DWN	J.JIANG	04FEB03	<b>STE</b> TE Connectivity		
DIMENSIONS: mm		CHK	S.YAO	04FEB03			
TOLERANCES UNLESS OTHERWISE SPECIFIED:		APVD	T.SASAKI	04FEB03	NAME		
0 PLC ± -		PRODUCT SPEC		AMP MINI COMMON TERMINATED (CT) CONNECTOR			
1 PLC ± -		108-60018		1.5 mm PITCH SINGLE ROW POST HDR ASS'Y (V)			
2 PLC ± -		APPLICATION SPEC		SMT TYPE WITHOUT BOSS			
3 PLC ± -		114-5223		SIZE	CAGE CODE	DRAWING NO	RESTRICTED TO
4 PLC ± -		WEIGHT SEE TABLE		A3	00779	C-292231	-
ANGLES ± -		MATERIAL SEE NOTE A		CUSTOMER DRAWING			
FINISH SEE NOTE A		SCALE		NON		SHEET	3 OF 4
		REV		D1			

THIS DRAWING IS UNPUBLISHED.      RELEASED FOR PUBLICATION  
 © COPYRIGHT - By -      ALL RIGHTS RESERVED.

LOC	DIST	REVISIONS					
		P	LTR	DESCRIPTION	DATE	DWN	APVD
ES	00		-	SEE SHEET 1	-	-	-

0.98	32.5	30.6	28.5	20	7-292231-0	2-292231-0
0.93	31.0	29.1	27.0	19	6-292231-9	1-292231-9
0.89	29.5	27.6	25.5	18	6-292231-8	1-292231-8
0.84	28.0	26.1	24.0	17	6-292231-7	1-292231-7
0.80	26.5	24.6	22.5	16	6-292231-6	1-292231-6
0.75	25.0	23.1	21.0	15	6-292231-5	1-292231-5
0.71	23.5	21.6	19.5	14	6-292231-4	1-292231-4
0.66	22.0	20.1	18.0	13	6-292231-3	1-292231-3
0.62	20.5	18.6	16.5	12	6-292231-2	1-292231-2
0.57	19.0	17.1	15.0	11	6-292231-1	1-292231-1
0.52	17.5	15.6	13.5	10	6-292231-0	1-292231-0
0.48	16.0	14.1	12.0	9	5-292231-9	292231-9
0.43	14.5	12.6	10.5	8	5-292231-8	292231-8
0.39	13.0	11.1	9.0	7	5-292231-7	292231-7
0.34	11.5	9.6	7.5	6	5-292231-6	292231-6
0.30	10.0	8.1	6.0	5	5-292231-5	292231-5
0.25	8.5	6.6	4.5	4	5-292231-4	292231-4
0.20	7.0	5.1	3.0	3	5-292231-3	292231-3
0.17	5.5	3.6	1.5	2	-	-
WEIGHT (g)	C	B	A	Pos.	BLACK	BEIGE (NAT)
	DIMENSIONS				P/N	

THIS DRAWING IS A CONTROLLED DOCUMENT.		DWN	 TE Connectivity			
DIMENSIONS: mm		CHK				
		APVD				
TOLERANCES UNLESS OTHERWISE SPECIFIED: 0 PLC ± - 1 PLC ± - 2 PLC ± - 3 PLC ± - 4 PLC ± - ANGLES ± -		PRODUCT SPEC				
MATERIAL	FINISH	APPLICATION SPEC	NAME AMP MINI COMMON TERMINATED (CT) CONNECTOR 1.5 mm PITCH SINGLE ROW POST HDR ASS'Y (V) SMT TYPE WITHOUT BOSS			
SEE SHEET 1	SEE SHEET 1	WEIGHT	SIZE	CAGE CODE	DRAWING NO	RESTRICTED TO
		-	A3	00779	C-292231	-
CUSTOMER DRAWING			SCALE	SHEET	REV	
			NON	4 OF 4	D1	

# Mouser Electronics

Authorized Distributor

Click to View Pricing, Inventory, Delivery & Lifecycle Information:

[TE Connectivity:](#)

[292231-4](#)