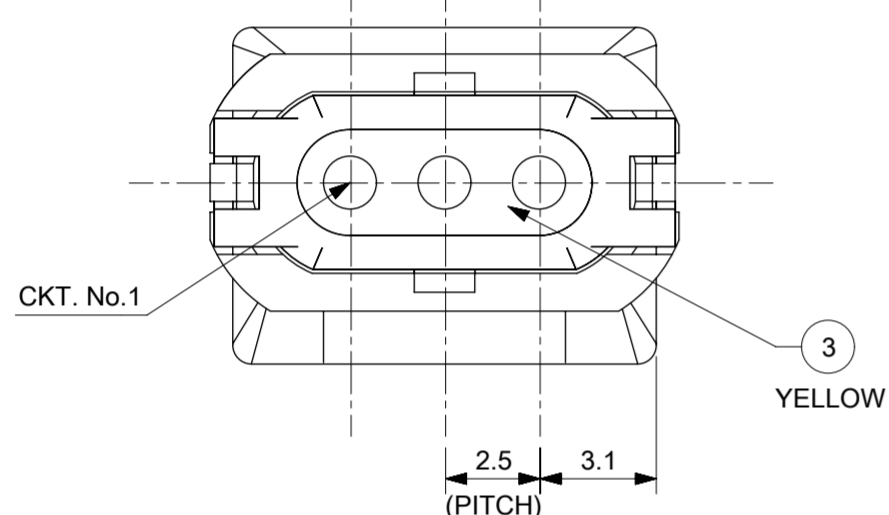
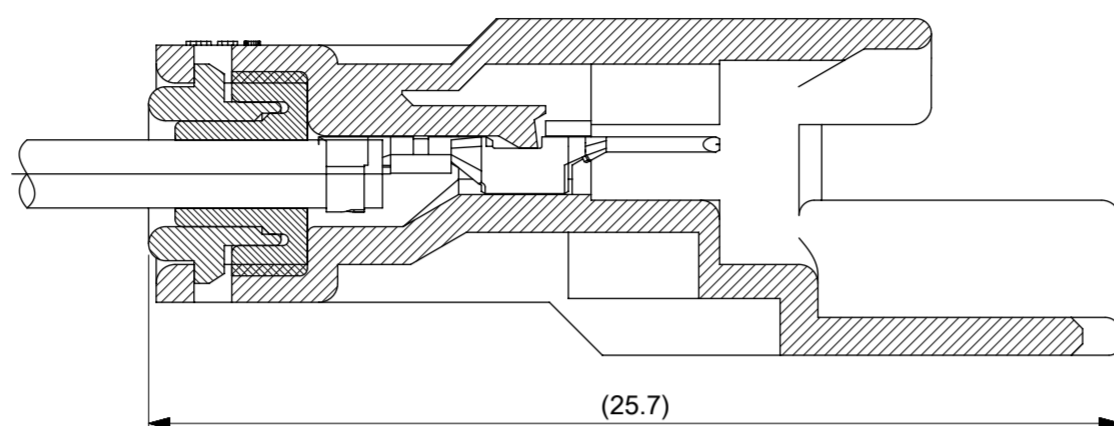


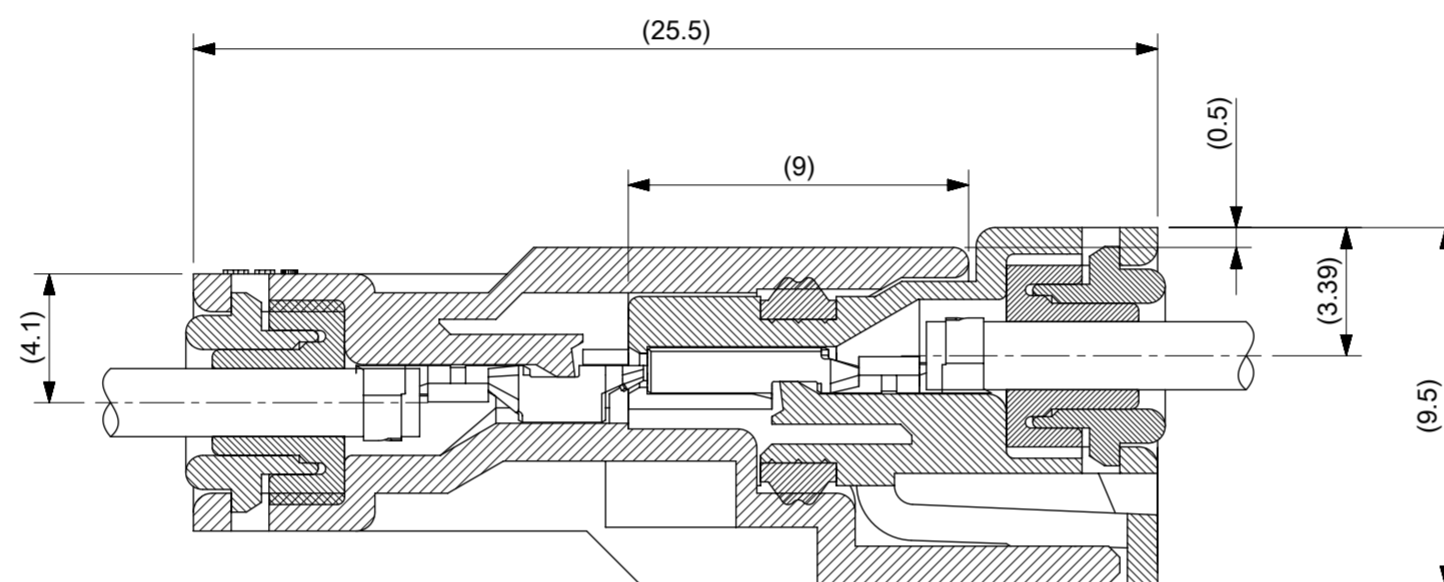
52116-024*



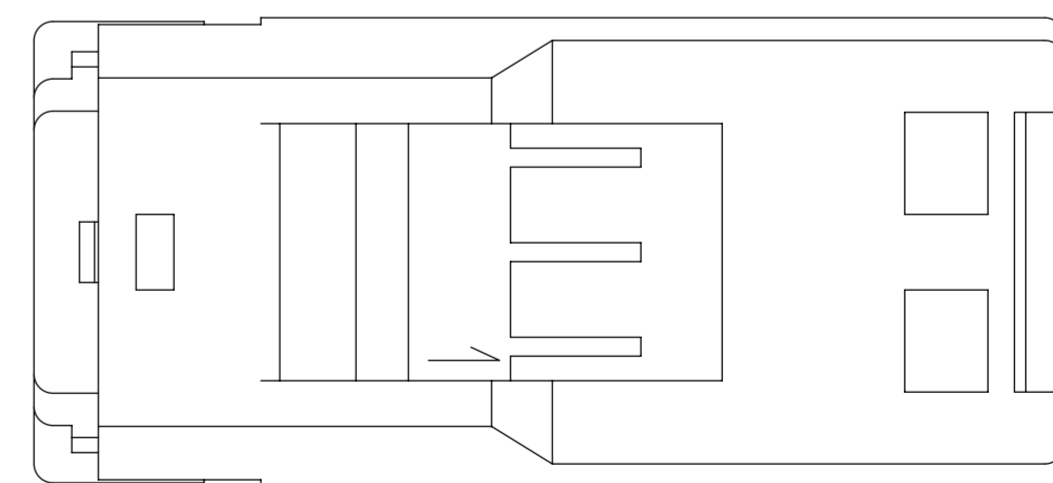
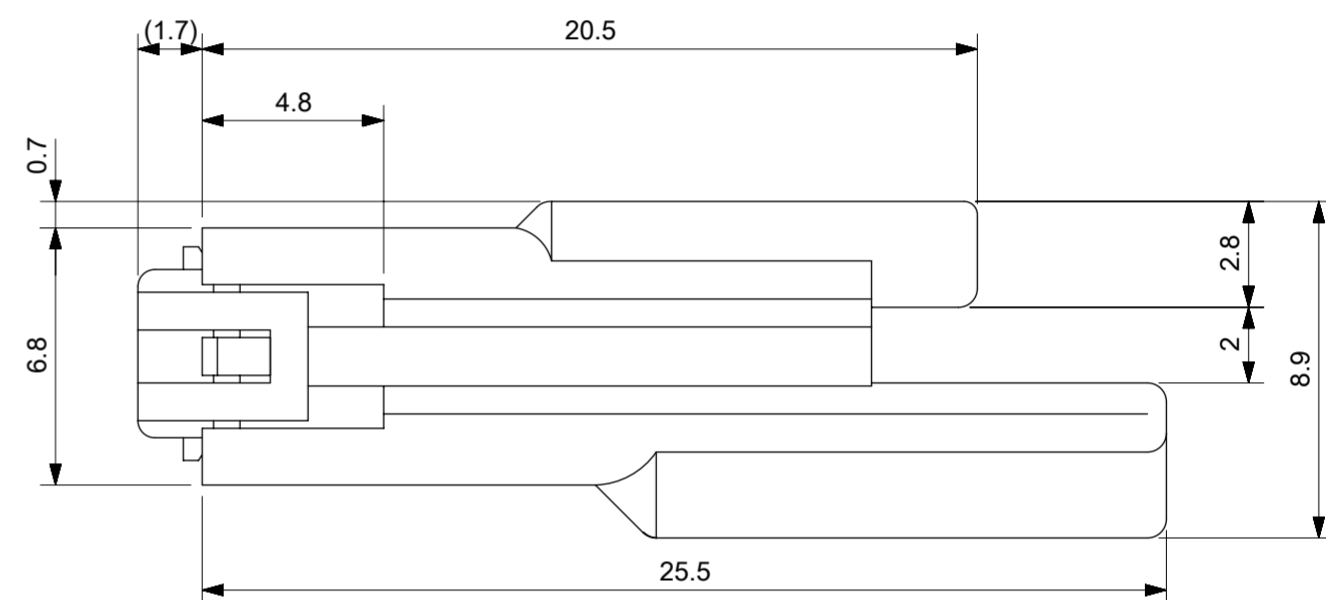
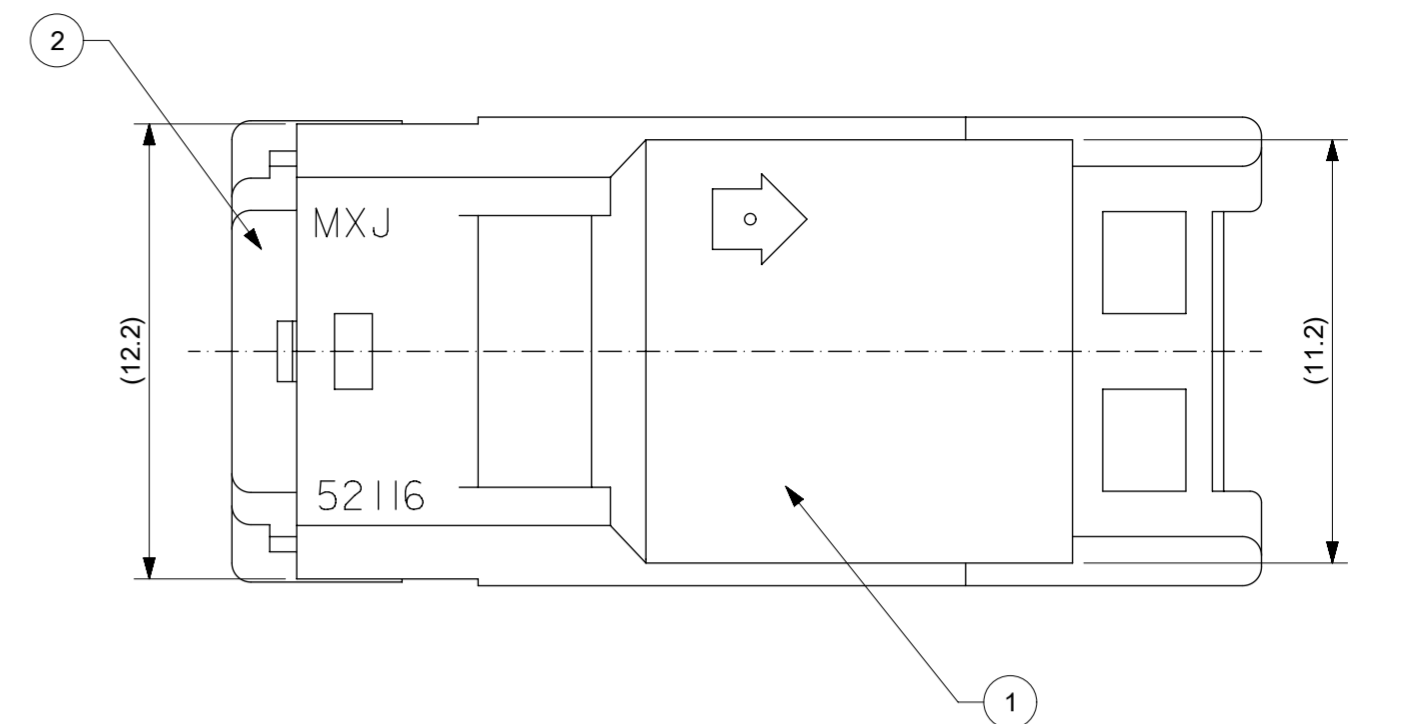
52116-034*



断面A-A (端子装着状態)
SECTION A-A (TEAM.ASSEMBLY DRAWING)



嵌合状態図
FULLY MATED CONDITION



- 注記
NOTE
- 適合端子: 50038-8*00
APPLICABLE TERMINAL:50038-8*00
 - 嵌合相手: 52117-0*4*
MATES WITH:52117-0*4*
 - 製品仕様書: PS-52117-007
PRODUCT SPECIFICATION: PS-52117-007
 - 取扱説明書: AS-52117-001
APPLICATION SPECIFICATION: AS-52117-001
 - ELV及びRoHS適合品
ELV AND RoHS COMPLIANT

THIS DRAWING CONTAINS INFORMATION THAT IS PROPRIETARY TO MOLEX ELECTRONIC TECHNOLOGIES, LLC AND SHOULD NOT BE USED WITHOUT WRITTEN PERMISSION

DIMENSION UNITS	SCALE	CURRENT REV DESC:	
mm	5:1		
GENERAL TOLERANCES (UNLESS SPECIFIED)		EC NO: 174474	
10 UNDER	±0.2	DRWN: RHORI	2018/04/02
10 OVER 30 UNDER	±0.25	CHK'D: HKOMATSU	2018/04/13
30 OVER	±0.3	APPR: TOSADA	2018/04/20
ANGULAR	±3 °	INITIAL REVISION:	
INITIAL REVISION:		DRWN: SINAKA	2011/02/16
DRWN Y.ASHIZAWA 1988/07/08		APPR: MAYAMAMOTO	2012/01/18
CHECK M.SAKANO 1988/07/08		THIRD ANGLE PROJECTION	
APPR M.ENOMOTO 1988/07/08		DRAWING	SERIES
DRAFT WHERE APPLICABLE MUST REMAIN WITHIN DIMENSIONS		A2-SIZE	52116
色 COLOR MATERIAL NO. 極数 CKT		MATERIAL NUMBER	CUSTOMER
		SEE CHART	GENERAL MARKET
		DOCUMENT NUMBER	DOC TYPE DOC PART REVISION
		SD-52116-001	PSD 001 D3
		SHEET NUMBER	
		1 OF 1	

GENERAL TOLERANCES (UNLESS SPECIFIED)	赤 RED	黒 BLACK	白 WHITE	赤 RED	黒 BLACK	白 WHITE	色 COLOR	MATERIAL NO.	極数 CKT
10 UNDER	±0.2	52116-0342	3	52116-0242	2	52116-0241			
10 OVER 30 UNDER	±0.25	52116-0341	3	52116-0240	2	52116-0240			
30 OVER	±0.3	52116-0340	3	52116-0243	2	52116-0240			
ANGULAR ±3 °									

材料 MATERIAL	色 COLOR	名称 TITLE
シリコンゴム SILICONE	図参照 SEE DRAWING	ワイヤーエンドシール WIRE END SEAL ③
ポリエステル(15%G.F.) POLYESTER	表参照 SEE CHART	CAP ②
ポリエステル(15%G.F.) POLYESTER	表参照 SEE CHART	プラグハウジング PLUG HOUSING ①
構成部品 COMPONENTS		
DOCUMENT STATUS	P1	RELEASE DATE 2018/04/20 09:04:05