

PRODUCT NUMBER  
20020316-XXXXXXLF

20020316-□ □ □ □ □ 0 □ L F

PITCH  
G: 5.00 mm  
H: 5.08 mm

POLES  
02: 2 POLES  
03: 3 POLES  
04: 4 POLES  
24: 24 POLES

LF : DENOTED RoHS COMPATIBLE  
1 : STANDARD PRODUCT  
W/ BOX PACKING

SCREW CODE

CODE	SCREW TYPE	AVAILABILITY
A	-/+	ON REQUEST ONLY
B	-	STANDARD

PROPERTY TABLE			
FCI SERIES NAME		21-500	21-508
PITCH (mm)		5.00	5.08
VOLTAGE RATING (VAC)		300	300
CURRENT RATING (A)		16	16
APPLICABLE WIRE RANGE (AWG)	1-WIRE	12~28	12~28
	2-WIRE	18~28	18~28
WIRE CROSS SECTION (mm <sup>2</sup> )	SOLID	1-WIRE	2.5
		2-WIRE	1
	STRANDED	1-WIRE	1.5
		2-WIRE	0.75
OPENING CONTACT HOUSING(mm)		2.1*2.7	2.1*2.7
WIRE STRIP LENGTH(mm)		6~7	6~7
TORQUE +/-10% (N-m/Lb-in)		0.40/3.5	0.40/3.5
SCREW		M3x0.5	M3x0.5
WITHSTANDING VOLTAGE (kV)		1.6	1.6
OPERATING TEMP. (°C)		-40~+115	-40~+115
SOLDERING TEMP. (°C)		250±10 (5 sec.)	250±10 (5 sec.)
POLES AVAILABLE		02~24	02~24
SAFETY CERTIFICATE		PENDING	

HOUSING CODE

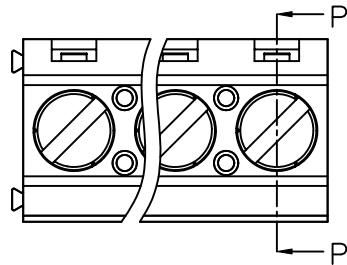
CODE	COLOR	AVAILABILITY
1	GREEN(RAL 6018/T)	STANDARD
2	BLACK	ON REQUEST ONLY
3	GREY(RAL 7004/P)	ON REQUEST ONLY
4	BLUE(RAL 5015/A)	ON REQUEST ONLY

NOTES:

- MATERIALS  
1-1 HOUSING: THERMALPLASTIC RESIN, UL 94V-0 RATED.  
1-2 SCREW: STEEL, ZINC PLATED.  
1-3 CLAMP: COPPER ALLOY, NICKEL PLATED.  
1-4 TERMINAL: COPPER ALLOY, TIN PLATED.  
2. PRODUCTION SPECIFICATION REFER TO FCI GS-12-625.  
3. BOXED PACKAGING.  
DETAILED PRODUCT PACKING SPECIFICATION REFER TO FCI GS-14-1394.  
4. FCI, SAFETY CERTIFICATE LOGO AND SERIES NAME TO BE SHOWN ON PRODUCT SURFACE.  
5. THE PRODUCTS WHERE THE PART NUMBER END IN "LF" MEET THE EUROPEAN UNION DIRECTIVE AND OTHER COUNTRY REGULATIONS AS DESCRIBED IN GS-22-008.  
6. RECOMMENDED SOLDERING PROCESS BY WAVE SOLDER.

mat'l. code		surface ASME Y14.5 ✓		tolerance ASME Y14.5		projection		product family	
		tolerances unless otherwise specified						TERMINAL BLOCK	
ltr	ecn no	dr	date	angles	to 10°	MM [INCH]		title	
D	T10-0042	WL	030310		X.±0.5[.020]			TERMINAL BLOCK	
E	T10-0083	WL	062210		X.X±0.3[.012]			FIXED HORIZONTAL WIRE INLET	
F	T10-0159	WL	100410		X*±1*	scale		dwg no	
G	T10-0187	WL	121410	dr	BEER FU	062509		sheet 1 of 3 size	
H	T-004746	WL	072011	enr	BEER FU	062509		20020316	
				chr	GARY HSIEH	062509		A4	
				appd	JOSEPH HSIA	062509		type	
sheet index		revision	H	H	H			CUSTOMER Drawing	
		sheet	1	2	3				

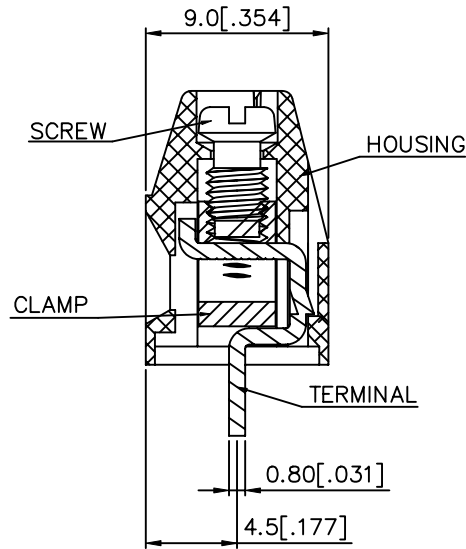
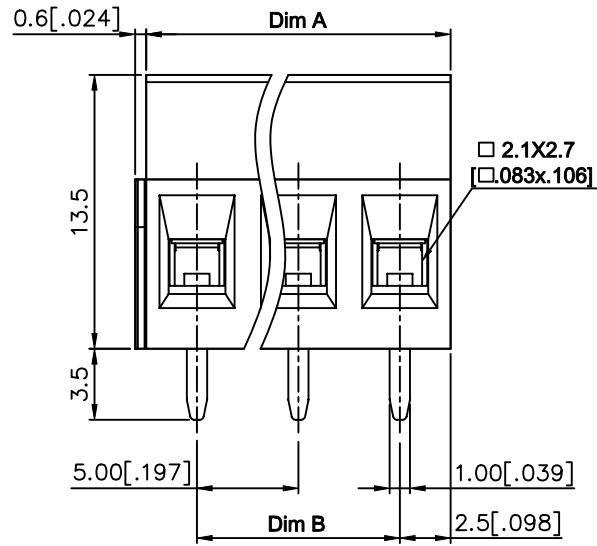
PRODUCT NUMBER	SERIES NAME	PITCH
20020316-GXXXXXXLF	21-500	5.00 mm



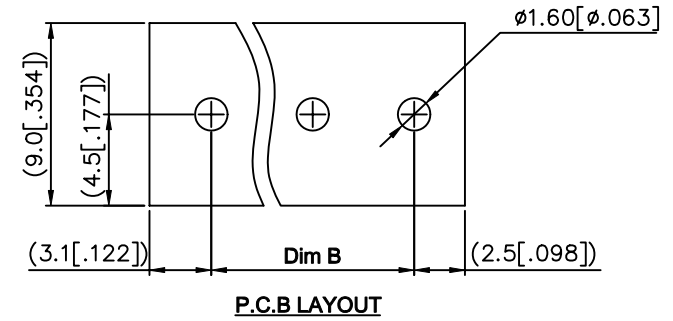
N=NUMBER OF POLES

Dim A	$N * 5.0 [ .197 ]$
Dim B	$(N - 1) * 5.0 [ .197 ]$

POLES	TOLERANCE
2p-6p	$\pm 0.15 [ .006 ]$
7p-12p	$\pm 0.25 [ .010 ]$
13p-16p	$\pm 0.35 [ .014 ]$
17p-24p	$\pm 0.40 [ .016 ]$



SECTION P-P

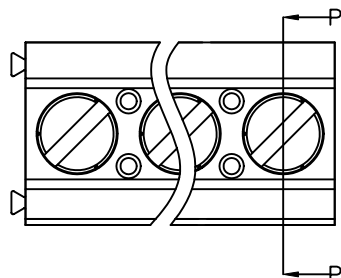


P.C.B LAYOUT

mat'l. code		surface ASME Y14.5	tolerance ASME Y14.5	projection MM INCH	product family TERMINAL BLOCK
ltr	ecn no	dr	date	title	
tolerances unless otherwise specified				TERMINAL BLOCK FIXED HORIZONTAL WIRE INLET	
angles		linear		scale	
X°±1'		X.XX±0.1 [.004]		dwg no 20020316	
dr		BEER FU 062509		sheet 2 of 3 size A4	
enr		BEER FU 062509		type CUSTOMER Drawing	
chr		GARY HSIEH 062509		FCI	
appd		JOSEPH HSIA 062509			
sheet index	revision sheet				



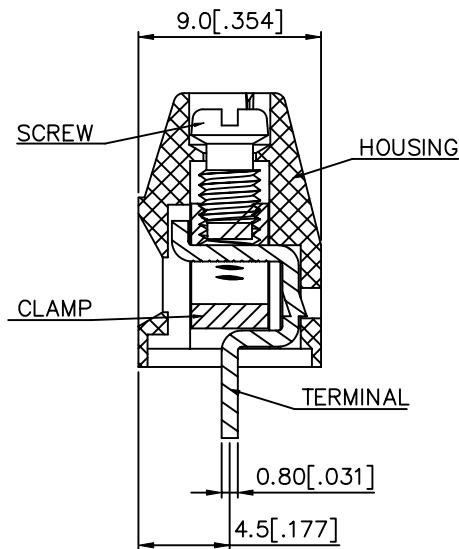
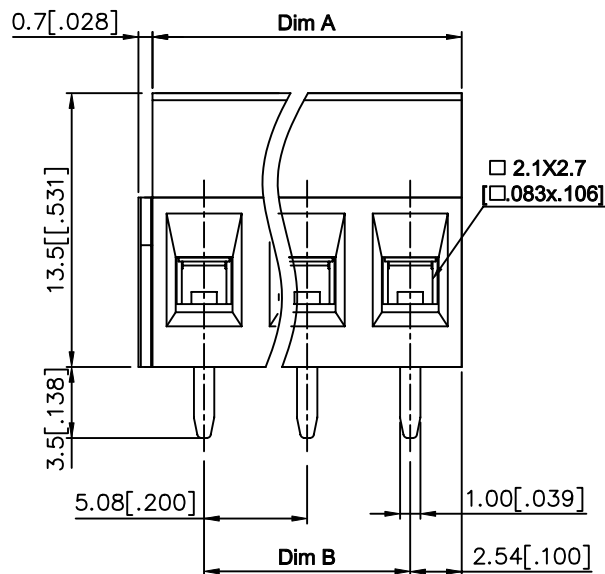
PRODUCT NUMBER	SERIES NAME	PITCH
20020316-HXXXXXXLF	21-508	5.08 mm



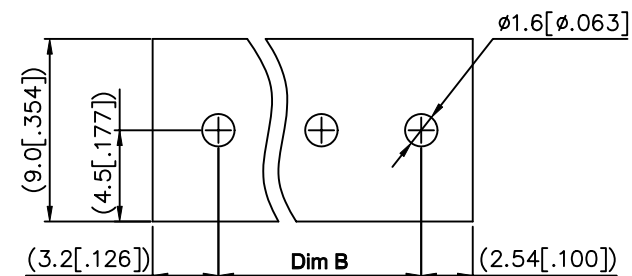
N=NUMBER OF POLES

Dim A	$N * 5.08 [ .200 ]$
Dim B	$(N - 1) * 5.08 [ .200 ]$

POLES	TOLERANCE
2p-6p	$\pm 0.15 [ .006 ]$
7p-12p	$\pm 0.25 [ .010 ]$
13p-16p	$\pm 0.35 [ .014 ]$
17p-24p	$\pm 0.40 [ .016 ]$



SECTION P-P



P.C.B LAYOUT

mat'l. code		surface ASME Y14.5	tolerance ASME Y14.5	projection 	product family TERMINAL BLOCK
ltr	ecn no	dr	date	title TERMINAL BLOCK FIXED HORIZONTAL WIRE INLET	
H				MM [INCH]	
				scale	
		dr	BEER FU	062509	dwg no
		enr	BEER FU	062509	sheet 3 of 3
		chr	GARY HSIEH	062509	20020316
		appd	JOSEPH HSIA	062509	A4
sheet index	revision sheet				type CUSTOMER Drawing



# Mouser Electronics

Authorized Distributor

Click to View Pricing, Inventory, Delivery & Lifecycle Information:

## Amphenol:

[20020316-G041B01LF](#) [20020316-G031A01LF](#) [20020316-G021B01LF](#) [20020316-G031B01LF](#) [20020316-G051B01LF](#) [20020316-G081B01LF](#) [20020316-G061B01LF](#) [20020316-G071B01LF](#) [20020316-H041BF1LF](#) [20020316-H064B01LF](#) [20020316-H032B01LF](#) [20020316-H051BG1LF](#) [20020316-H023B01LF](#) [20020316-G073B01LF](#) [20020316-G063B01LF](#) [20020316-H022B01LF](#) [20020316-G023B01LF](#) [20020316-H034B01LF](#) [20020316-G043B01LF](#) [20020316-G033B01LF](#) [VI0821550000G](#) [VI0221550000G](#) [VI0321550000G](#) [VI1001550000G](#) [VI1101550000G](#) [VI1201550000G](#) [VI1301550000G](#) [VI1401550000G](#) [VI1501550000G](#) [VI1601550000G](#) [VI1701550000G](#) [VI1801550000G](#) [VI1901550000G](#) [VI2001550000G](#) [VI2101550000G](#) [VI2201550000G](#) [VI2301550000G](#) [VI2401550000G](#) [VI1021550000G](#) [VI0621550000G](#) [VI0721550000G](#) [VI0421550000G](#) [VI0921550000G](#)

## FCI / Amphenol:

[20020316-H021B01LF](#) [20020316-H031B01LF](#) [20020316-H041B01LF](#) [20020316-H101B01LF](#) [20020316-H051B01LF](#) [20020316-H151B01LF](#) [20020316-G181B01LF](#) [20020316-G151B01LF](#) [20020316-G111B01LF](#) [20020316-H181B01LF](#) [20020316-G211B01LF](#) [20020316-G191B01LF](#) [20020316-H161B01LF](#) [20020316-G091B01LF](#) [20020316-H091B01LF](#) [20020316-H061B01LF](#) [20020316-H221B01LF](#) [20020316-G121B01LF](#) [20020316-H201B01LF](#) [20020316-G231B01LF](#) [20020316-G101B01LF](#) [20020316-G141B01LF](#) [20020316-H241B01LF](#) [20020316-G171B01LF](#) [20020316-H141B01LF](#) [20020316-G131B01LF](#) [20020316-H111B01LF](#) [20020316-H211B01LF](#) [20020316-G221B01LF](#) [20020316-H231B01LF](#) [20020316-G161B01LF](#) [20020316-H131B01LF](#) [20020316-G241B01LF](#) [20020316-H171B01LF](#) [20020316-H081B01LF](#) [20020316-H191B01LF](#) [20020316-H121B01LF](#) [20020316-H071B01LF](#) [20020316-G201B01LF](#) [20020316-G032B01LF](#)