

PLEASE CHECK WWW.MOLEX.COM FOR LATEST PART INFORMATION

Part Number: [1300350060](#)
Status: **Active**
Overview: [DeviceNet Solutions](#)
Description: DeviceNet Power Monitor Tee, with LED Functionality, Male to Female

Documents:

[Drawing \(PDF\)](#) [RoHS Certificate of Compliance \(PDF\)](#)

Agency Certification

UL E152210

General

Product Family Industrial Tees and Splitters
 Series [130035](#)
 IP Rating IP67
 Overview [DeviceNet Solutions](#)
 Product Name DeviceNet Trunk
 Type Diagnostic Tee
 UPC 78172553618

Physical

Color - Cable Jacket Gray
 Drop Connector Mini-Change
 Drop Gender Female
 Keyway Single
 LED Indicator Blue, Green, Red, Yellow
 Left Trunk Connector Mini-Change
 Left Trunk Gender Male
 Leg 1 Length N/A
 Leg 2 Length N/A
 Material - Cable Jacket N/A
 Material - Connector Body TPE
 Material - Coupling Nut Die-Cast Zinc
 Net Weight 2169.000/g
 Poles 5
 Right Trunk Connector Mini-Change
 Right Trunk Gender Female
 Temperature Range - Operating -20°C to +80°C

Electrical

Current - Maximum per Contact 8.0A
 Voltage - Maximum 30V DC

Solder Process Data

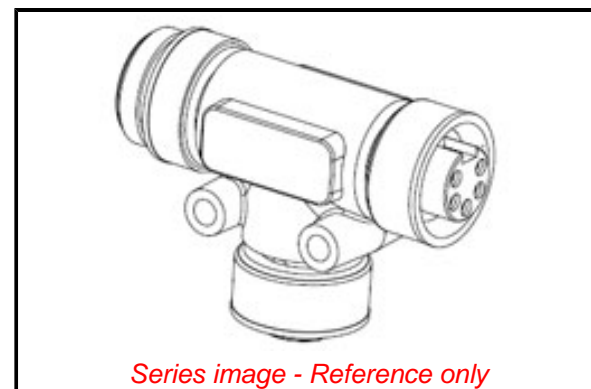
Lead-freeProcess Capability N/A

Material Info

Engineering Number DN3020PM-1

Reference - Drawing Numbers

Sales Drawing SD-130035-005



Series image - Reference only

EU ELV

Not Relevant

EU RoHS

Not Reviewed

REACH SVHC

Not Reviewed

Halogen-Free

Status

Not Reviewed

For more information, please visit [Contact US](#)

China ROHS

Not Reviewed

ELV

Not Relevant

RoHS Phthalates

Not Reviewed

Search Parts in this Series

[130035 Series](#)

Mouser Electronics

Authorized Distributor

Click to View Pricing, Inventory, Delivery & Lifecycle Information:

[Molex:](#)

[130035-0060](#)