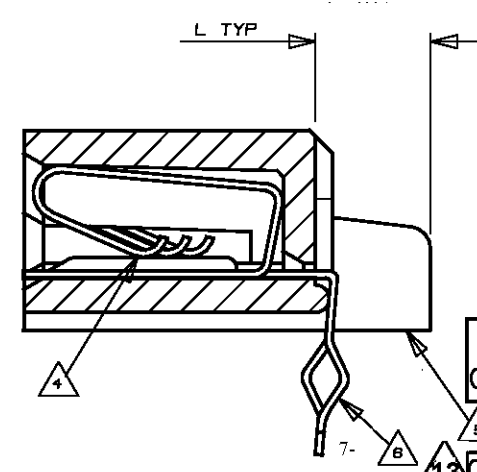
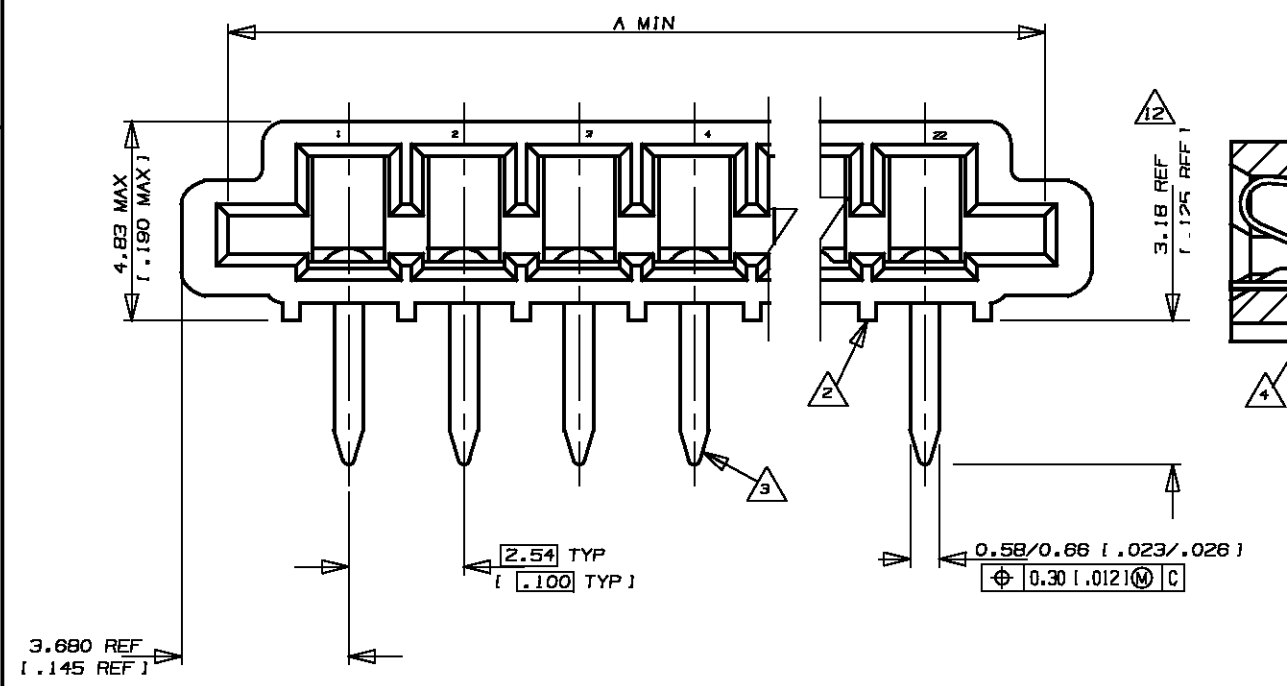
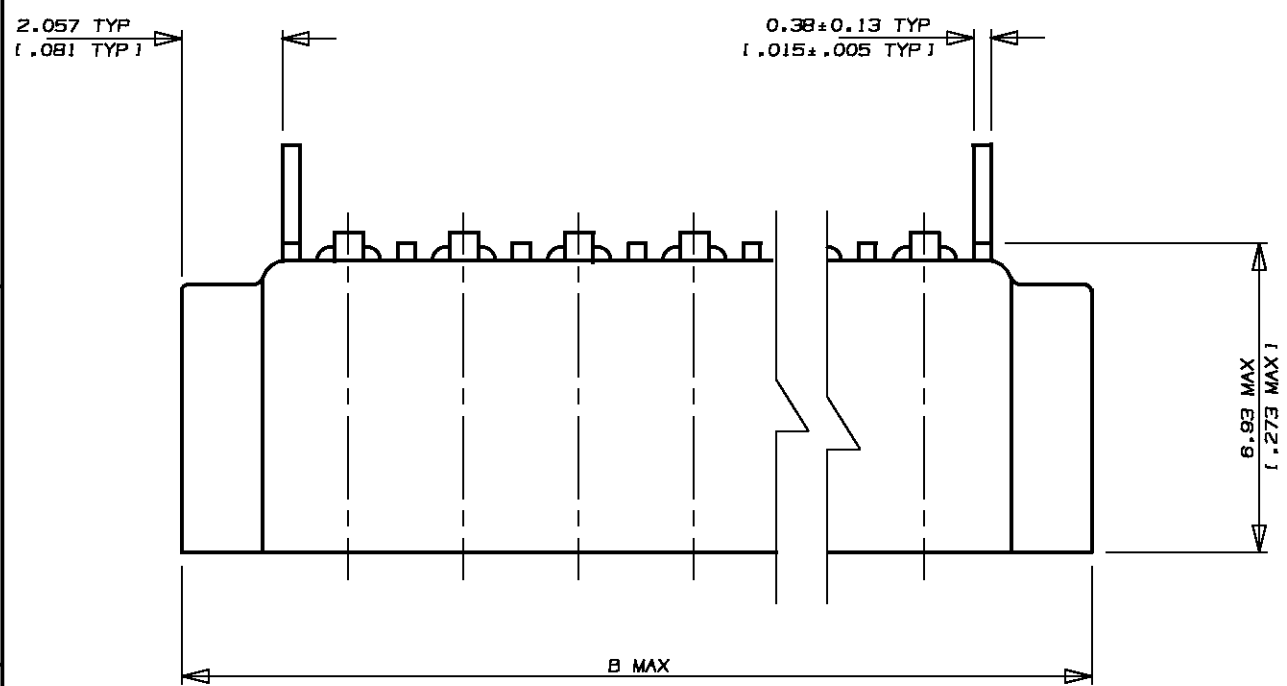


487508  
METRIC

DIMENSIONS IN MM (INCHES). DO NOT SCALE PRINT

PRINT DIST



- NOTES
- CONNECTOR WILL ACCEPT FLEXIBLE PRINTED CIRCUIT OR FLAT FLEXIBLE CABLE ON 2.54 (.100) CENTERS IN A THICKNESS RANGE OF 0.127 TO 0.38 (.005 TO .015) IN CONTACT AREA
  - STAND-OFFS PREVENT SOLVENT ENTRAPMENT
  - LEAD-IN ON PINS FOR EASE OF INSERTION INTO BOARD
  - SEQUENTIAL CONTACTS REDUCE CABLE INSERTION FORCE
  - STABILIZING WING MAY BE REMOVED BY CUSTOMER IF NECESSARY
  - ALTERNATING CONTACT FORM RETAINS CONNECTOR IN P.C. BOARD DURING SOLDER OPERATION
  - ACCEPTS CABLE OR CIRCUITRY WITH EXPOSED CONDUCTORS FACING TOWARD OR AWAY FROM THE BOARD SURFACE
  - REFER TO APPLICATION SPEC 114-2062
  - MATERIAL  
HOUSING : GLASS REINFORCED POLYESTER  
THERMOPLASTIC UL 94 VO RATED, BLACK  
CONTACT : PHOS BRONZE
  - CONNECTOR IS HIGH NORMAL PROCE
  - MATTE TIN, 0.005 (.0002) MIN THK OVER COPPER 0.003 (.00015) MIN THK ON ENTIRE CONTACT
  - AREA INDICATED SHALL MEET SOLDERABILITY SPEC 109-11-1
  - OBsolete PARTS: OBsolete CIS STREAMLINING PER D.RENAUD/D.SINISI

	LEAD FREE				SUPERSEDED	
<del>487508-8</del>	1.067 (.042)	25.22 (.993)	23.01 (.906)	8	2-487508-8	
<del>487508-1</del>		80.78 (2.393)	58.57 (2.306)	22	2-487508-1	
<del>487508-0</del>		58.24 (2.293)	56.03 (2.206)	21	2-487508-0	
<del>487508-9</del>		55.70 (2.193)	53.49 (2.106)	20	1-487508-9	
6-487508-8		53.16 (2.093)	50.95 (2.006)	19	1-487508-8	
<del>487508-7</del>		50.62 (1.993)	48.41 (1.906)	18	1-487508-7	
<del>487508-6</del>		48.08 (1.893)	45.87 (1.806)	17	1-487508-6	
6-487508-5		45.54 (1.793)	43.33 (1.706)	16	1-487508-5	
<del>487508-4</del>		43.00 (1.693)	40.79 (1.606)	15	1-487508-4	
6-487508-3		40.46 (1.593)	38.25 (1.506)	14	1-487508-3	
6-487508-2		37.92 (1.493)	35.71 (1.406)	13	1-487508-2	
<del>487508-1</del>		35.38 (1.393)	33.17 (1.306)	12	1-487508-1	
6-487508-0		32.84 (1.293)	30.63 (1.206)	11	1-487508-0	
<del>487508-9</del>		30.30 (1.193)	28.09 (1.106)	10	487508-9	
5-487508-8		27.76 (1.093)	25.55 (1.006)	9	487508-8	
5-487508-7		25.22 (.993)	23.01 (.906)	8	487508-7	
5-487508-6		22.68 (.893)	20.47 (.806)	7	487508-6	
5-487508-5		20.14 (.793)	17.93 (.706)	6	487508-5	
5-487508-4		17.60 (.693)	15.39 (.606)	5	487508-4	
5-487508-3		15.06 (.593)	12.85 (.506)	4	487508-3	
<del>487508-2</del>		12.52 (.493)	10.31 (.406)	3	487508-2	
<del>487508-1</del>	2.540 (.100)	9.98 (.393)	7.77 (.306)	2	487508-1	

		PART NO		L	B	A	POS	PART NO
E3	ECR-10-022530	KK	HMR	07FEB11				
E2	REVISED PER ECO-09-026346	KK	AEG	27NOV09				
E1	REVISED AS PER ECR-06-04332	PM	KS	21FEB06				
E	REVISED FR00-0011-04	SD	PCH	19FEB04				
D	REVISED FP00-0120-98	LWY	TLP	31MAR98				
C	REDRAWN DY/EC/07B4	LWY	SL	30.7.93				
LTR	(REVISION RECORD)	DR	CHK	DATE				

Copyright ©1993		Copyright ©1993		TE Connectivity	
		TE MANUFACTURING (SINGAPORE) PTE. LTD.		ALL RIGHTS RESERVED.	
(WIRE RANGE)	(INSULATION DIA.)	(NAME)			
mm <sup>2</sup> (AWG - )	mm	TRIOMATE HORIZONTAL CABLE ENTRY			
(MATERIAL)	(FINISH)	FOR 1.57(.062) THK P.C. BOARD			
		(GENERAL TOLERANCE)	SIZE	LOC	(No.)
		± 0.38	A3	DY	487508
		[ ± .015 ]	(SCALE)	REV.	SHEET
			6:1	E3	1 OF 1

(CUSTOMER DRAWING)

# Mouser Electronics

Authorized Distributor

Click to View Pricing, Inventory, Delivery & Lifecycle Information:

[TE Connectivity:](#)

[5-487508-6](#)