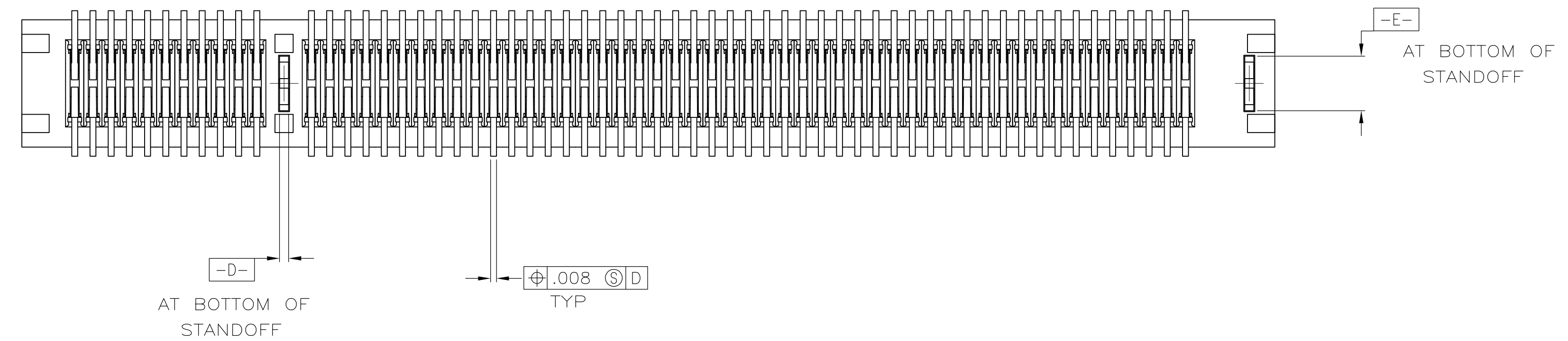
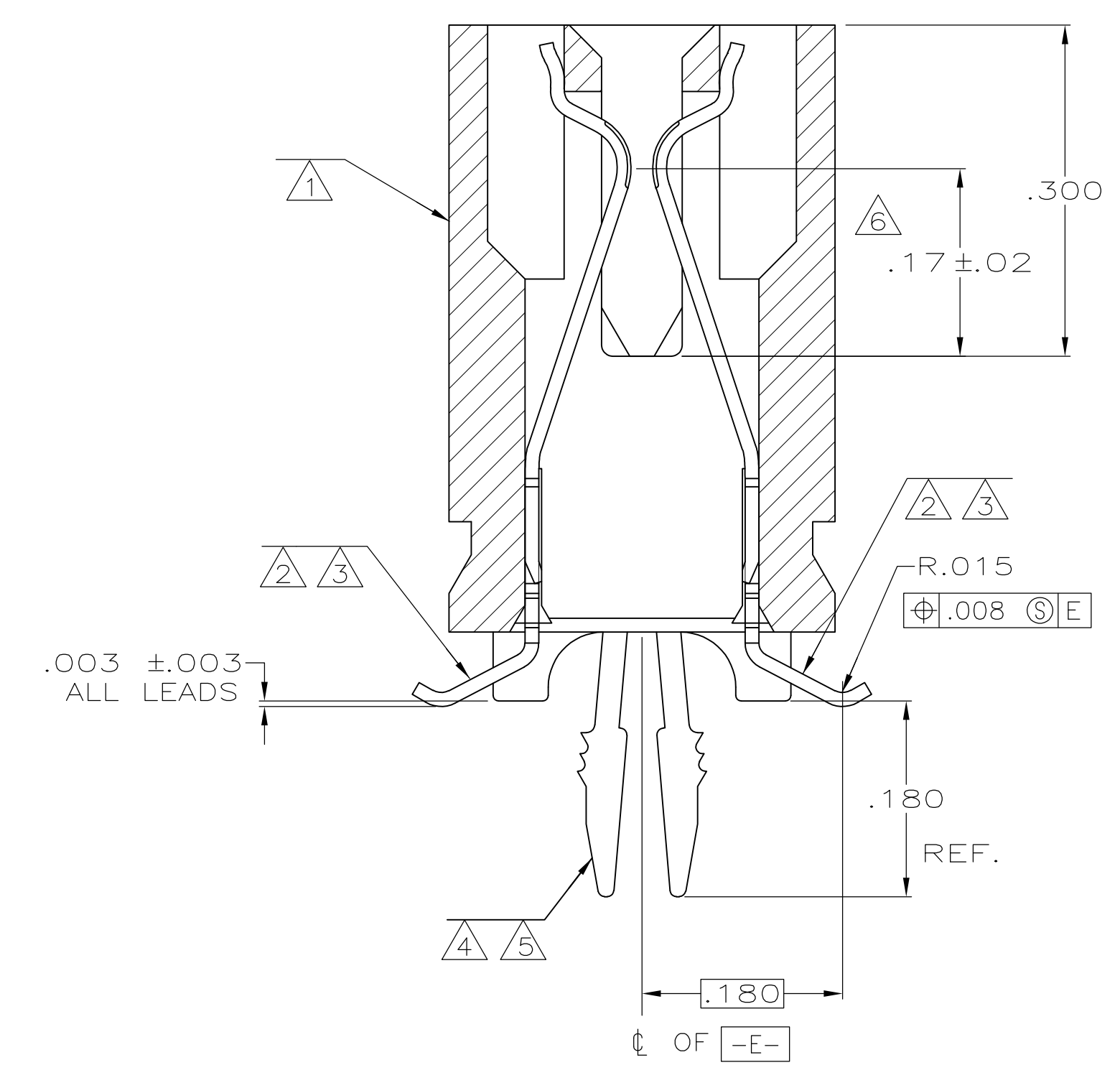
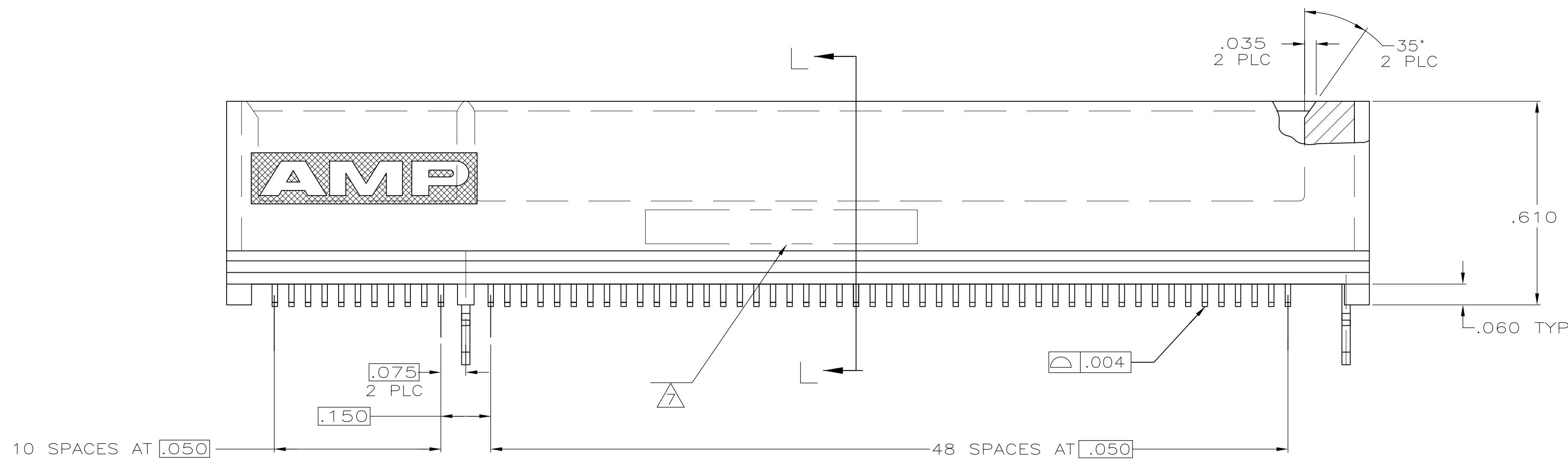


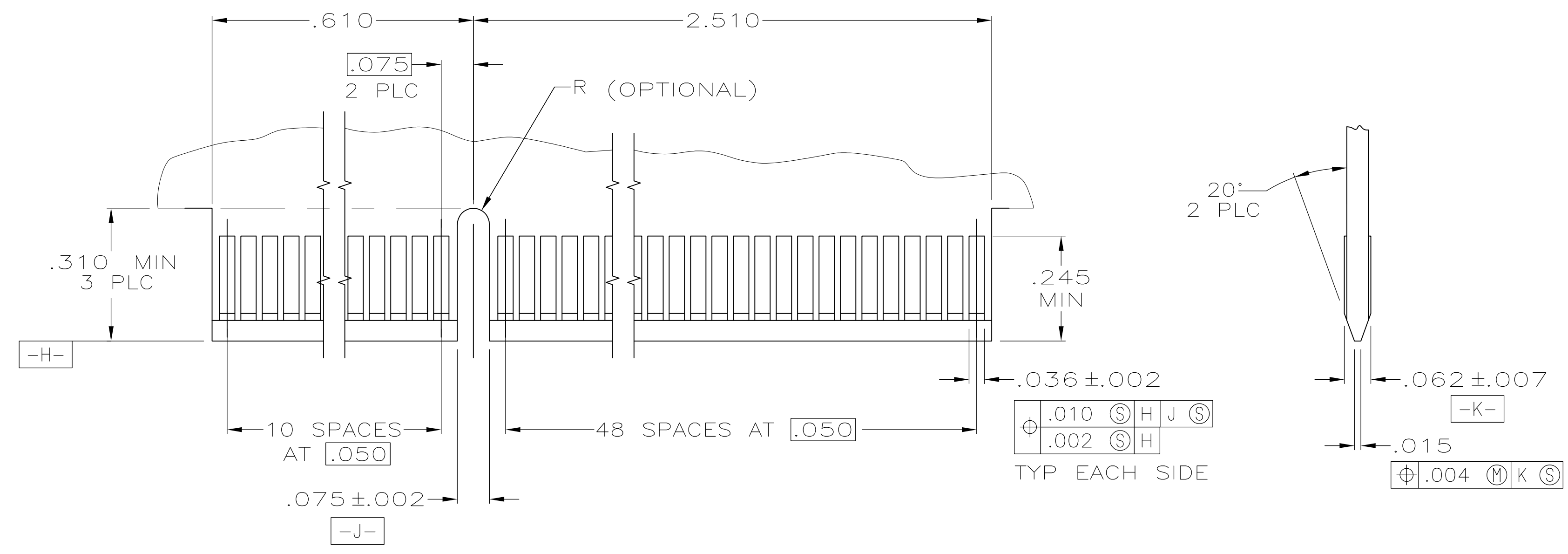
- ① HOUSING: HIGH TEMPERATURE THERMOPLASTIC.
- ② CONTACT: PHOSPHOR BRONZE.
- ③ CONTACT FINISH: .000100 MIN NICKEL ALL OVER, .000030 MIN GOLD OVER NICKEL IN CONTACT AREA, .000100 MIN MATTE TIN OVER NICKEL ON SOLDER TAILS.
- ④ METAL HOLD DOWN: BRASS
- ⑤ METAL HOLD DOWN FINISH: .000050 MIN NICKEL ALL OVER, .000150 MIN MATTE TIN ALL OVER.
- ⑥ DISTANCE FROM CONTACT POINT TO BOTTOM OF CARD SLOT.
- ⑦ AMP PART NUMBER, DATE CODE AND CSA LOGO MARKED IN APPROXIMATE AREA SHOWN.



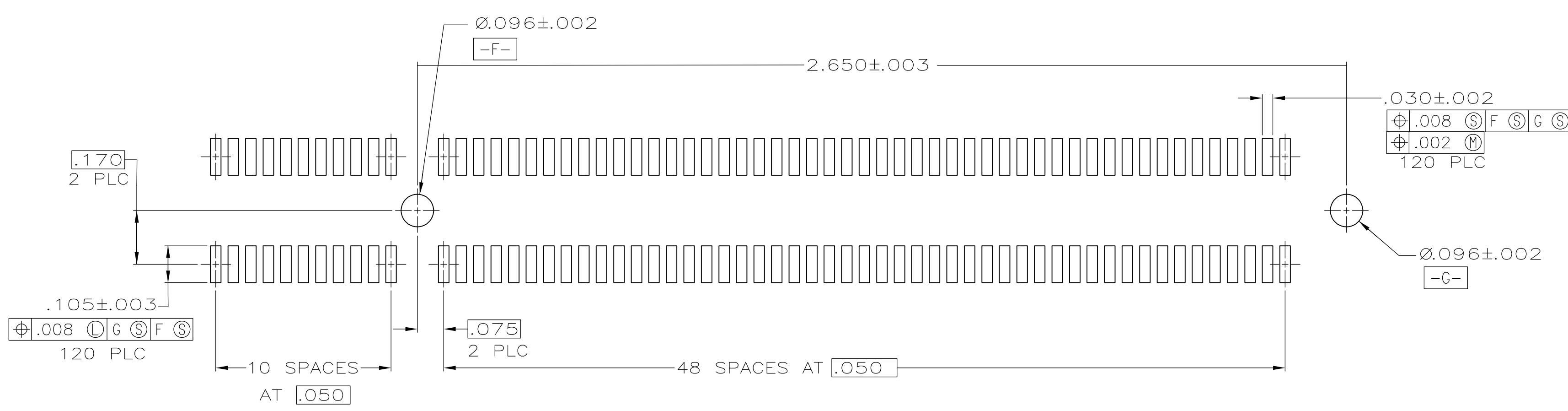
SECTION L-L
SCALE 8:1

145098-1 AS SHOWN

THIS DRAWING IS A CONTROLLED DOCUMENT.		DN: AL FRANTUM 09 JUN 05	TE Connectivity
		CHK: AL FRANTUM 09 JUN 05	
DIMENSIONS: INCHES	TOLERANCES UNLESS OTHERWISE SPECIFIED:	APVD: AL FRANTUM	NAME: CONNECTOR ASSEMBLY, 60 DUAL POSITION, .050 SERIES, STANDARD EDGE, SURFACE MOUNT
	0 PLC ± -	PRODUCT SPEC: 108-14034	SIZE: A1
	1 PLC ± -	APPLICATION SPEC: 114-13148	CAGE CODE: 5145098
	2 PLC ± -	WEIGHT: -	RESTRICTED TO: -
	3 PLC ± .005	CUSTOMER DRAWING	SCALE: 4:1 SHEET: 1 OF 2 REV: R
	4 PLC ± -		
	ANGLES ± -		



RECOMMENDED MATING BOARD EDGE CONFIGURATION



RECOMMENDED PC BOARD PATTERN
(CONNECTOR SIDE SHOWN)

THIS DRAWING IS A CONTROLLED DOCUMENT.		DWN AL FRANTUM 09 JUN 05	
DIMENSIONS: INCHES		CHK AL FRANTUM 09 JUN 05	
TOLERANCES UNLESS OTHERWISE SPECIFIED:		NAME	CONNECTOR ASSEMBLY, 60 DUAL POSITION, .050 SERIES, STANDARD EDGE, SURFACE MOUNT
0 PLC ± -		PRODUCT SPEC	108-14034
1 PLC ± -		APPLICATION SPEC	114-13148
2 PLC ± -		SIZE	A1
3 PLC ± .005		CAGE CODE	00779
4 PLC ± -		DRAWING NO	5145098
ANGLES ± °		RESTRICTED TO	-
FINISH		WEIGHT	-
MATERIAL SEE SHEET 1		CUSTOMER DRAWING	SCALE 4:1 SHEET 2 OF 2 REV R

Mouser Electronics

Authorized Distributor

Click to View Pricing, Inventory, Delivery & Lifecycle Information:

[TE Connectivity:](#)

[5145098-1](#)