

**PLEASE CHECK WWW.MOLEX.COM FOR LATEST PART INFORMATION**

**Part Number:** **5034730200**  
**Status:** **Active**  
**Description:** Flexi-Mate 3.70mm Pitch Wire-to-Board Plug Housing, Right Angle, 3.00mm Stacking Height, 2 Circuits

**Documents:**

<a href="#">3D Model</a>	<a href="#">Application Specification AS-503471-001-061 (PDF)</a>
<a href="#">Drawing (PDF)</a>	<a href="#">Packaging Specification SPK-503473-001-001 (PDF)</a>
<a href="#">Product Specification 5034710000-000 (PDF)</a>	<a href="#">RoHS Certificate of Compliance (PDF)</a>
<a href="#">Product Specification PS-503471-001-001 (PDF)</a>	

**Agency Certification**

UL E29179

**General**

Product Family	Crimp Housings
Series	503473
Application	Signal, Wire-to-Board
Product Name	Flexi-Mate
UPC	883906918675

**Physical**

Circuits (maximum)	2
Color - Resin	White
Flammability	94HB
Gender	Plug
Glow-Wire Capable	No
Keying to Mating Part	Yes
Lock to Mating Part	Yes
Net Weight	165.000/mg
Number of Rows	1
Packaging Type	Bag
Panel Mount	No
Pitch - Mating Interface	3.70mm
Polarized to Mating Part	Yes
Stackable	No
Temperature Range - Operating	-40°C to +85°C

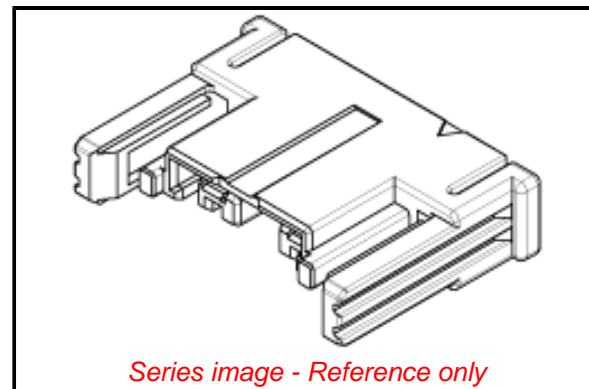
**Electrical**

Current - Maximum per Contact 2.0A

**Material Info**

**Reference - Drawing Numbers**

Application Specification	AS-503471-001-061
Packaging Specification	SPK-503473-001-001
Product Specification	5034710000-000, PS-503471-001-001
Sales Drawing	SD-503473-001



Series image - Reference only

**EU ELV**

**Not Relevant**

**EU RoHS**

**Compliant**

**REACH SVHC**

Not Contained Per  
-ED/01/2018 (15  
January 2018)

**Halogen-Free**

**Status**

**Not Low-Halogen**

**Need more information on product environmental compliance?**

Email [productcompliance@molex.com](mailto:productcompliance@molex.com)  
Please visit the [Contact Us](#) section for any non-product compliance questions.

China ROHS	Green Image
ELV	Not Relevant
RoHS Phthalates	Not Contained

**Search Parts in this Series**

[503473](#) Series

**Mates With**

[503471](#) PCB Receptacle

**Use With**

[503485](#) Crimp Terminal

# Mouser Electronics

Authorized Distributor

Click to View Pricing, Inventory, Delivery & Lifecycle Information:

[Molex:](#)

[503473-0200](#)