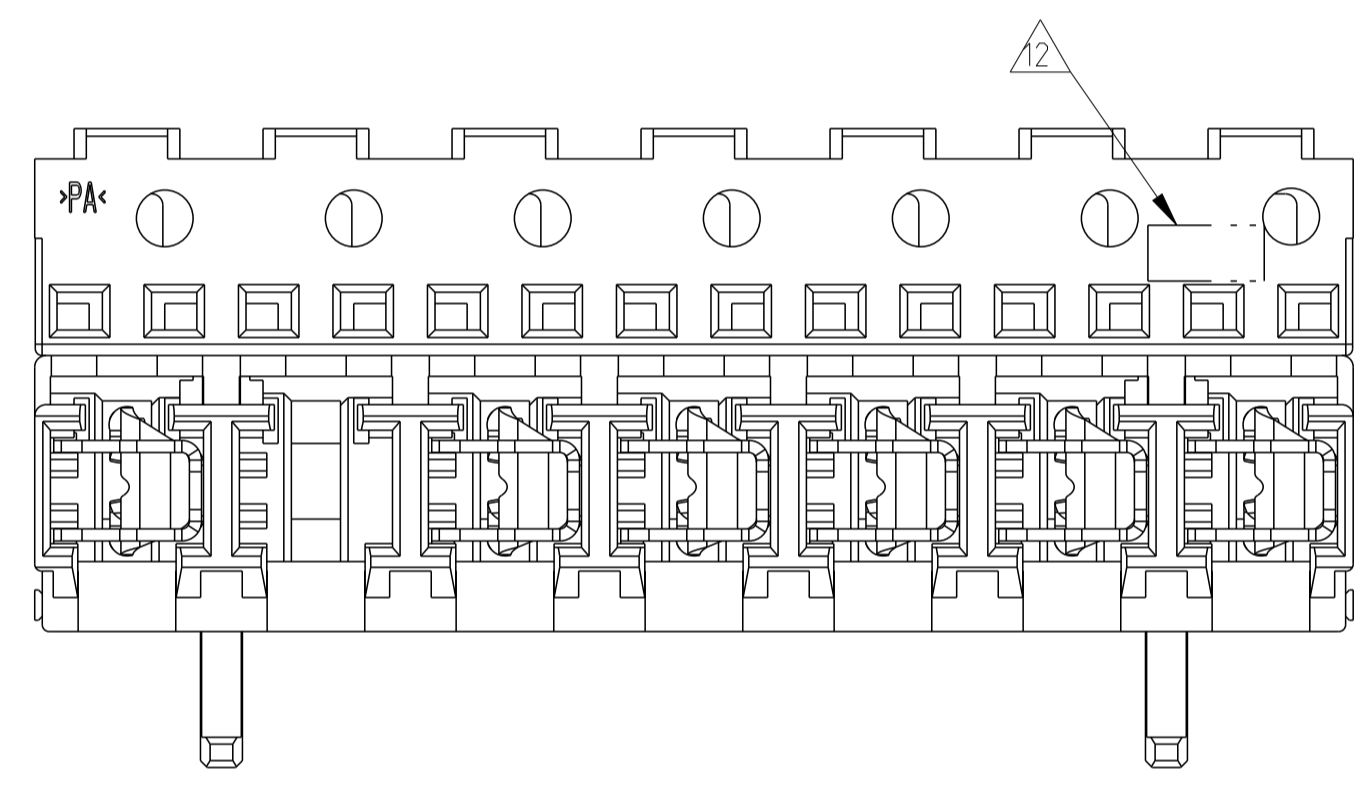
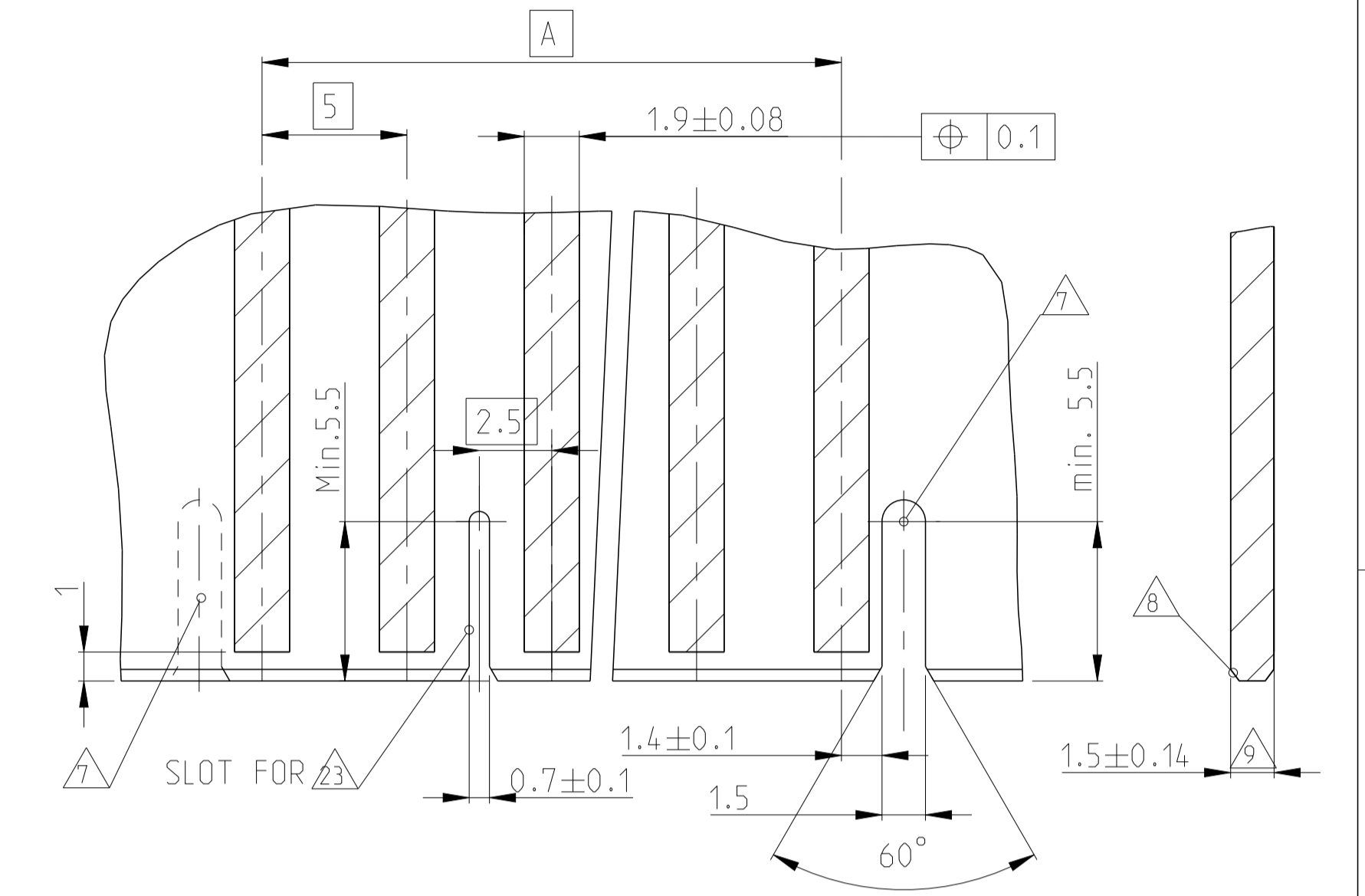
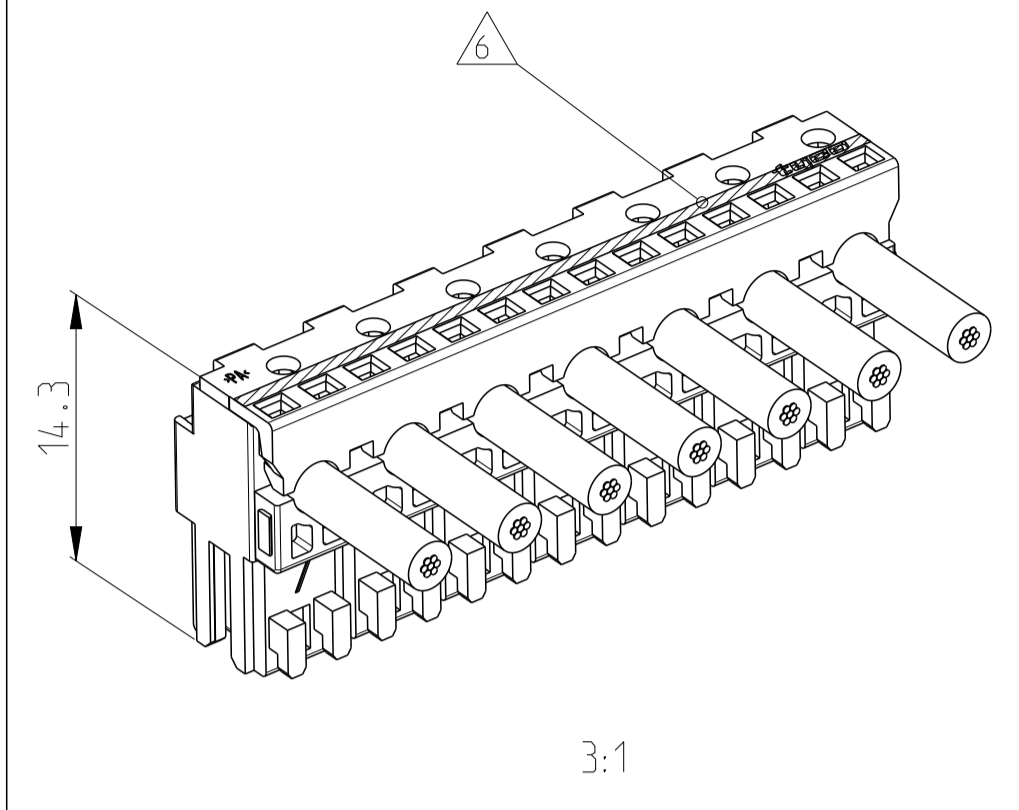
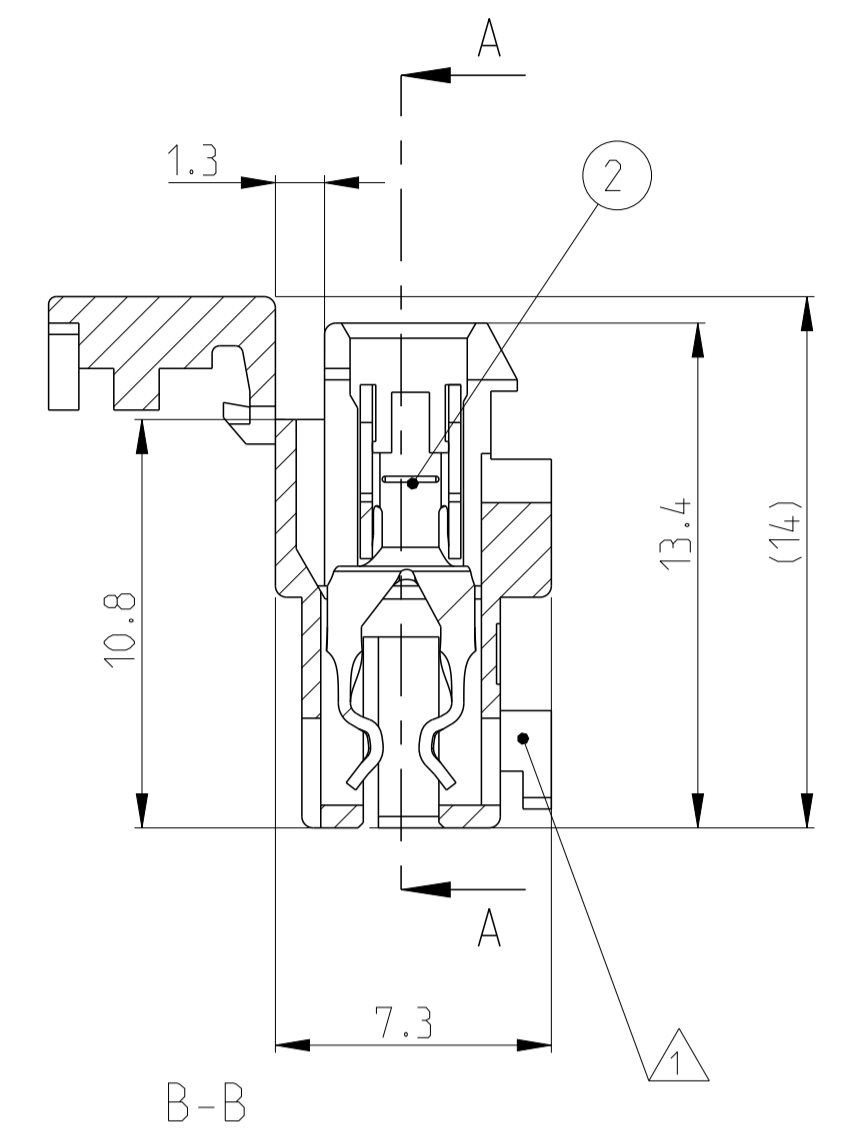
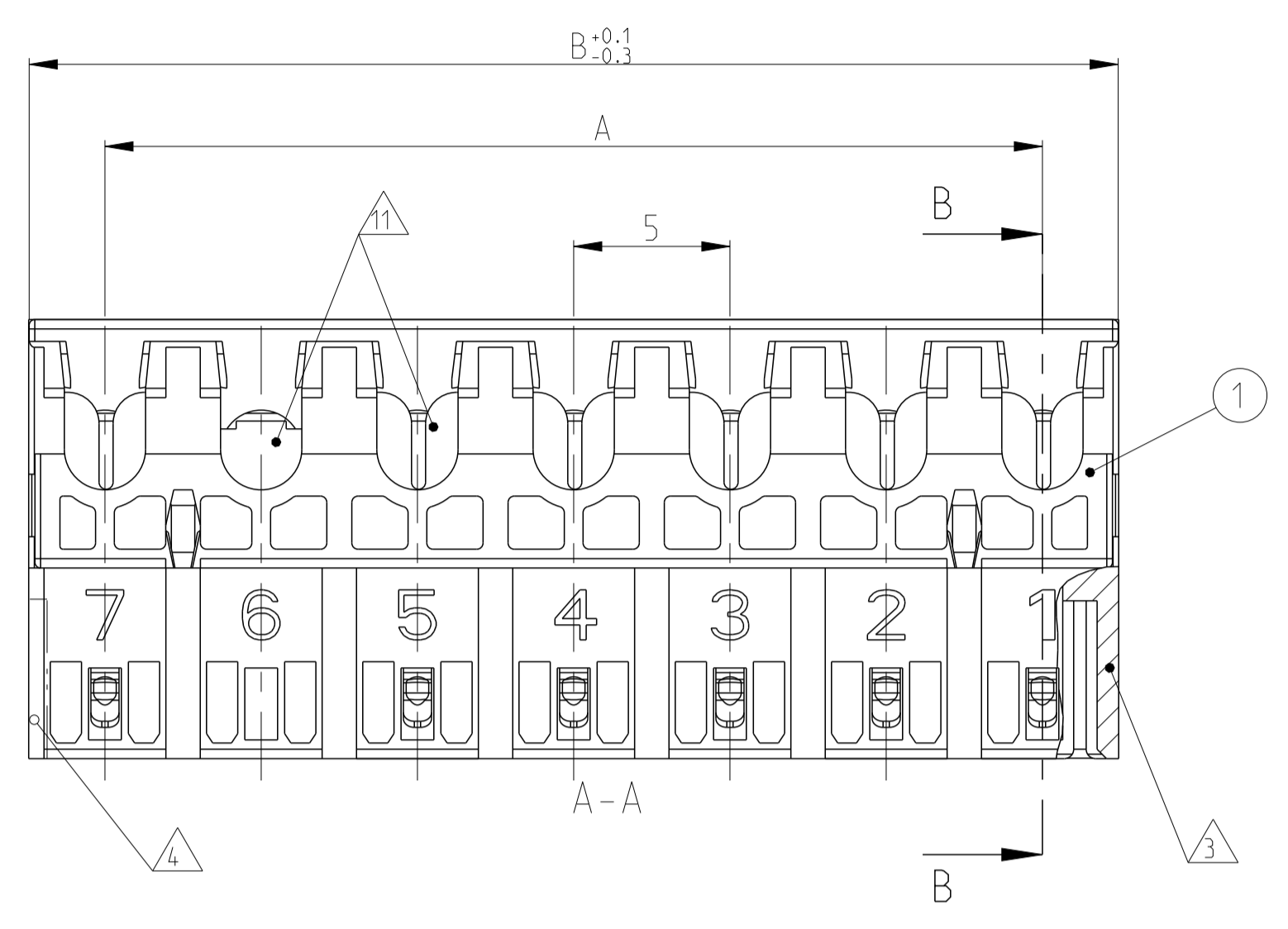
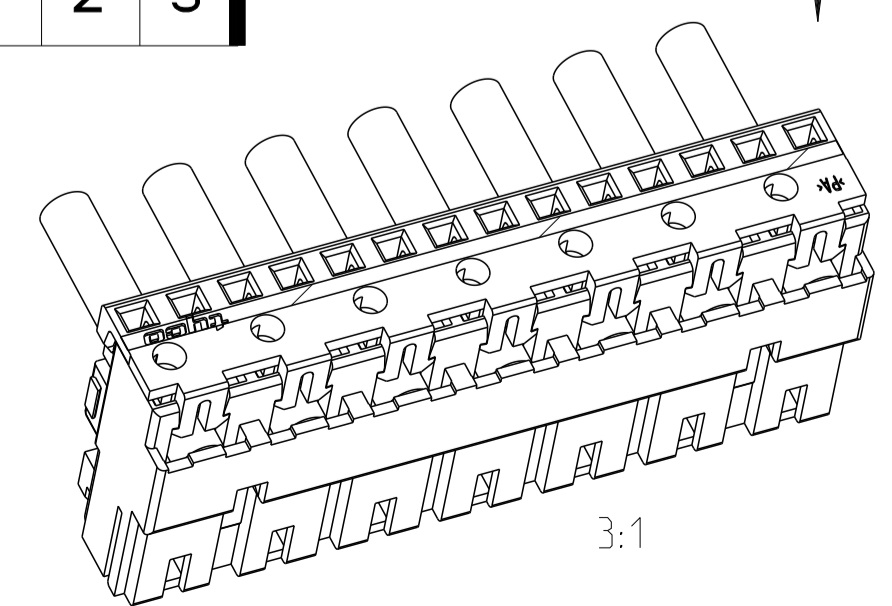
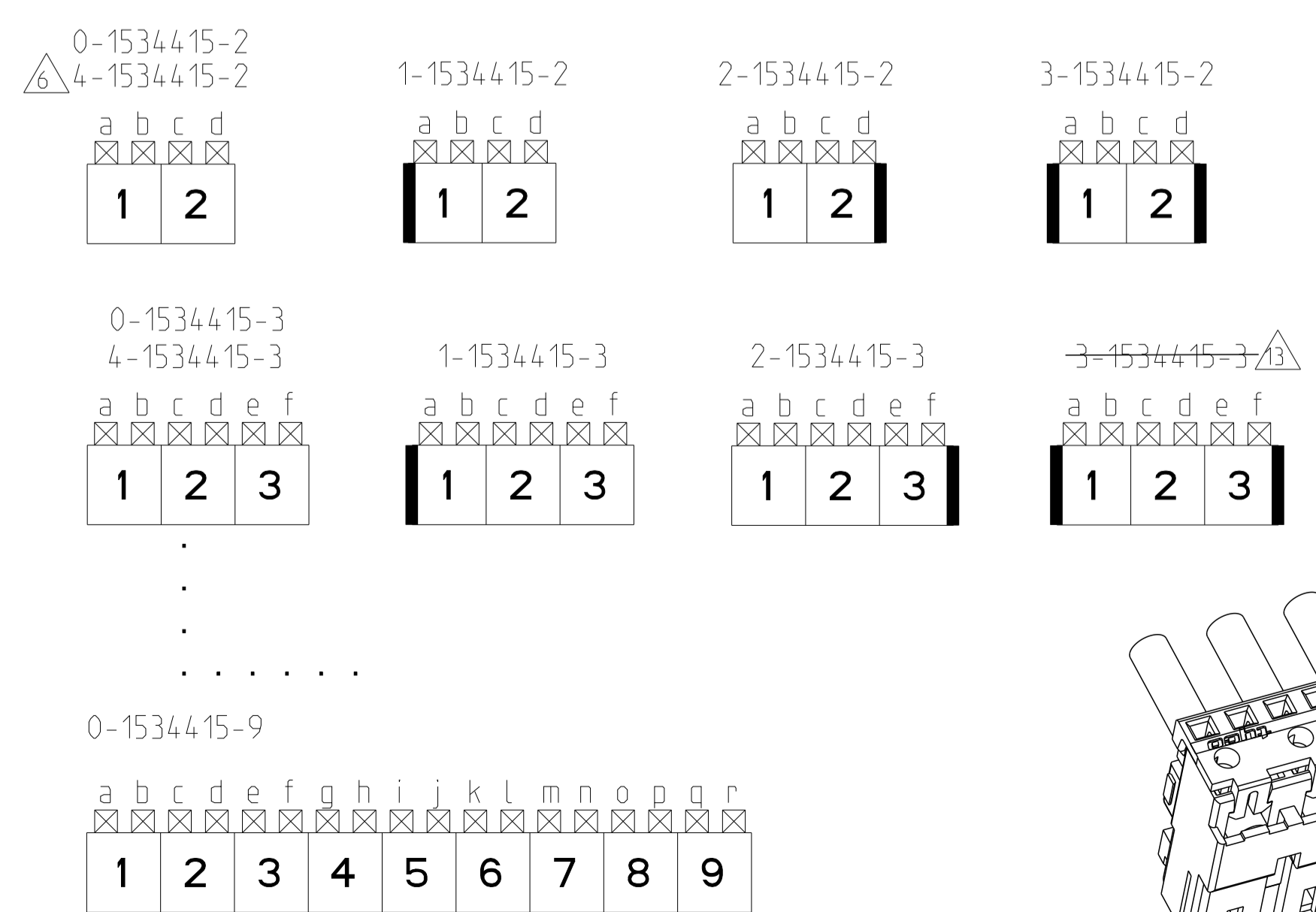


LOC	DIST	REV	DATE	BY	APPV
A1	-	D14	13DEC2018	KD	FL
		D15	20DEC2018	KD	FL
		D16	02SEP2019	KD	FL
		D17	30SEP2019	MP	FL

PCB LAYOUT KEYED / CONNECTED ONLY WITH ADDITIONAL FRAME
 Leiterplattenanschluss kodiert / nur in Verbindung mit zusätzlichem Rahmen



KEYING PLAN (VIEW Z)
 Kodierschema (Ansicht Z)



- 16 KEYING BETWEEN POSITIONS
- 15 UL94 V0 AND GLOW WIRE TEST 750 °C WITHOUT FLAME
- 14 PRELIMINARY PART NOT RELEASED FOR PRODUCTION
- 13 OBSOLETE
- 12 TE LOGO

- 11 X...CAVITY LOADED WITH CONTACT
 O...CAVITY WITHOUT CONTACT
 X...Kammer mit Kontakt
 O...Kammer ohne Kontakt
- 10 GLOW WIRE TEST 750 °C WITHOUT FLAME
 Gluehdrahtfest 750°C ohne Flamme
- 9 INCLUSIVE COPPER CLADDING:
 Inclusive Kupferkaschierung:
- 8 PCB PREFERABLY CHAMFERED.
 Leiterplatte vorzugsweise angefast.
- 7 SLOT FOR SIDE KEYING.
 Schlitz fuer Seitenkodierung. .
- 6 COLOUR MARKING ON TOP OF HOUSING OPTIONAL ON TERMINATION MACHINE
 Farbmarkierung auf Gehäuseoberseite optional an Verarbeitungsmaschine
- MATING PART: PCB (WITH FRAMES ACC. RAST 2.5 E.G. PN 964 575/576)
 TABHEADER PN 1 534 787/788
 5 Passender Gegenstecker: Leiterplatten (mit Rahmen nach RAST 2.5 z.B. Tabwannen Nr. 1 534 787/788
- 4 SIDE KEYING, ON LAST CAVITY
 Seitenkodierung, an letzter Kammer
- 3 SIDE KEYING, ON CAVITY 1
 Seitenkodierung, an Kammer 1
- 2 WIRE RANGE: 0.35-0.75 mm²
 Drahtgrößenbereich: 0.35-0.75 mm²
- 1 KEYING RIBS; CUTTING WITH TERMINATION MACHINE POSSIBLE
 Kodierrippe; Schneiden auf der Verarbeitungsmaschine möglich

2	SEE TABLE siehe Tabelle	KONTAKT	CuNiSi	TINNED
1		Federleistengehäuse	PA 6	NATUR/Natur
POS.	PN Bestell-Nr.	DESCRIPTION Beschreibung	MATERIAL	COLOUR/FINISH Farbe/Oberflaeche

THIS DRAWING IS A CONTROLLED DOCUMENT.		OWN: H. Karabiyik 13OCT2016		TE Connectivity
DIMENSIONS: mm		CHK: B. Schnaubelt 24JAN2002		NAME: AMP DUOPLUG POWER FEMALE CONNECTOR (Standard Version)
TOLERANCES UNLESS OTHERWISE SPECIFIED:		APVD: T. Klenner 24JAN2002	SIZE: A1	CAGE CODE: 00779
0 PLC ±0.2		PRODUCT SPEC: 108-18780	DRAWING NO: C=1534415	RESTRICTED TO: -
1 PLC ±0.2		APPLICATION SPEC: 114-18458	SCALE: 5:1	SHEET: 1 OF 2
2 PLC ±0.2		WEIGHT: -	REVISION: 17	
3 PLC ±0.2		CUSTOMER DRAWING		
4 PLC ±0.2				
ANGLES				

LOC		DIST		REVISIONS			
P	LTN	DESCRIPTION		DATE	DNW	APVD	
-		SEE SHEET 1		-	-	-	

△ PART NUMBERS WITH VO + GWT VERSION

X	X	X	X	X	X	X	X	X	X	NATURE	9	40	44.9	-	-	-	-
		0	0	X	X	X	X	X	X	NATURE	7	30	34.9	-	-	-	1-2328644-7
		X	X	X	X	X	X	X	X	NATURE	7	30	34.9	-	-	-	2328644-7
				X	X	X	X	X	X	NATURE	5	20	24.9	-	-	-	-
						X	X	X	X	NATURE	3	10	14.9	-	-	X	2328644-3
							X	X	X	NATURE	2	5	9.9	-	-	-	-
9	8	7	6	5	4	3	2	1									
CAVITY LOADED △11										COLOR △6	POS.	DIM A	DIM B	KEYING △16	KEYING △4	KEYING △3	TE P/N △14
2	SEE TABLE siehe Tabelle		CONTACT		CuNiSi		TINNED										
1			Federleistengehaeuse		PA 6		NATUR/Natur										
POS.	TE P/N		DESCRIPTION		MATERIAL		COLOUR/FINISH										

X	X	X	X	X	X	X	X	X	X	X	NATURE	10	45	49.9	3/4	-	-	2-1534415-0 △14
X	X	X	X	X	X	X	X	X	X	X	NATURE	10	45	49.9		-	-	1-1534415-0 △14
		X	X	X	X	X	X	X	X	X	NATURE	9	40	44.9		-	-	0-1534415-9
			X	X	X	X	X	X	X	X	NATURE	8	35	39.9		-	-	0-1534415-8
				X	X	X	X	X	X	X	NATURE	7	30	34.9		-	-	0-1534415-7
					X	X	X	X	X	X	NATURE	6	25	29.9		-	-	0-1534415-6
						X	X	X	X	X	NATURE	5	20	24.9		-	-	0-1534415-5
							X	X	X	X	NATURE	4	15	19.9		-	X	3-1534415-4
								X	X	X	NATURE	4	15	19.9	3/4	X	X	2-1534415-4
									X	X	NATURE	4	15	19.9	2/3	X	X	1-1534415-4
									X	X	NATURE	4	15	19.9		-	-	0-1534415-4
										X	NATURE	3	10	14.9	1/2		X	6-1534415-3
										X	NATURE	3	10	14.9		X	-	5-1534415-3 △15
									X	0	NATURE	3	10	14.9		-	-	4-1534415-3
									X	X	X	3	10	14.9		X	X	3-1534415-3 △13
									X	X	NATURE	3	10	14.9		X	-	2-1534415-3
									X	X	NATURE	3	10	14.9		-	X	1-1534415-3
									X	X	NATURE	3	10	14.9		-	-	0-1534415-3
										X	BROWN	2	5	9.9		-	-	4-1534415-2 △6
										X	NATURE	2	5	9.9		X	X	3-1534415-2
										X	NATURE	2	5	9.9		X	-	2-1534415-2
										X	NATURE	2	5	9.9		-	X	1-1534415-2
										X	NATURE	2	5	9.9		-	-	0-1534415-2
10	9	8	7	6	5	4	3	2	1									
CAVITY LOADED △11										COLOR △6	POS. Polzahl	DIM A	DIM B	KEYING △16	KEYING △4	KEYING △3	PN Bestell-Nr.	

PART NUMBERS WITH SILVERED CONTACTS

X	X	X	X	X	X	X	X	X	X	NATURE	9	40	44.9	-	-	-	2319602-9
			X	X	X	X	X	X	X	NATURE	7	30	34.9	-	-	-	2319602-7
				X	X	X	X	X	X	NATURE	5	20	24.9	-	-	-	2319602-5
								X	X	NATURE	2	5	9.9	-	-	-	2319602-2
9	8	7	6	5	4	3	2	1									
CAVITY LOADED △11										COLOR △6	POS.	DIM A	DIM B	KEYING △4	KEYING △3	TE P/N △14	
2	SEE TABLE siehe Tabelle		CONTACT		CuNiSi		SILVERED										
1			Federleistengehaeuse		PA 6		NATUR										
POS.	TE P/N		DESCRIPTION		MATERIAL		COLOUR/FINISH										

THIS DRAWING IS A CONTROLLED DOCUMENT.		DNW H. Karabiyik 13OCT2016	STE TE Connectivity
DIMENSIONS: mm		CHK B. Schnaubelt 24JAN2002	
TOLERANCES UNLESS OTHERWISE SPECIFIED:		APVD T. Klenner 24JAN2002	NAME AMP DUOPLUG POWER FEMALE CONNECTOR (Standard Version)
0 PLC ±0.2		PRODUCT SPEC	
1 PLC ±0.2		108-18780	SIZE CAGE CODE DRAWING NO RESTRICTED TO
2 PLC ±0.2		APPLICATION SPEC	
3 PLC ±		116-18458	A 1 00779 ©=1534415
4 PLC ±		WEIGHT	
ANGLES ±°		CUSTOMER DRAWING	SCALE 5:1 SHEET 2 OF 2 REV 17