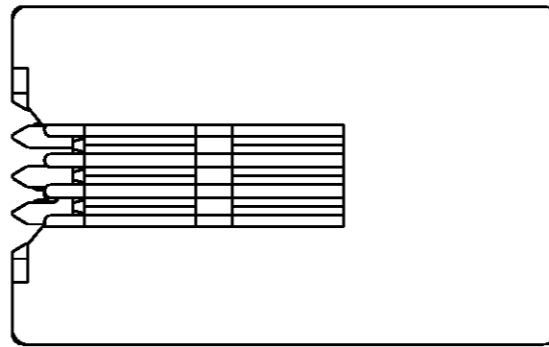


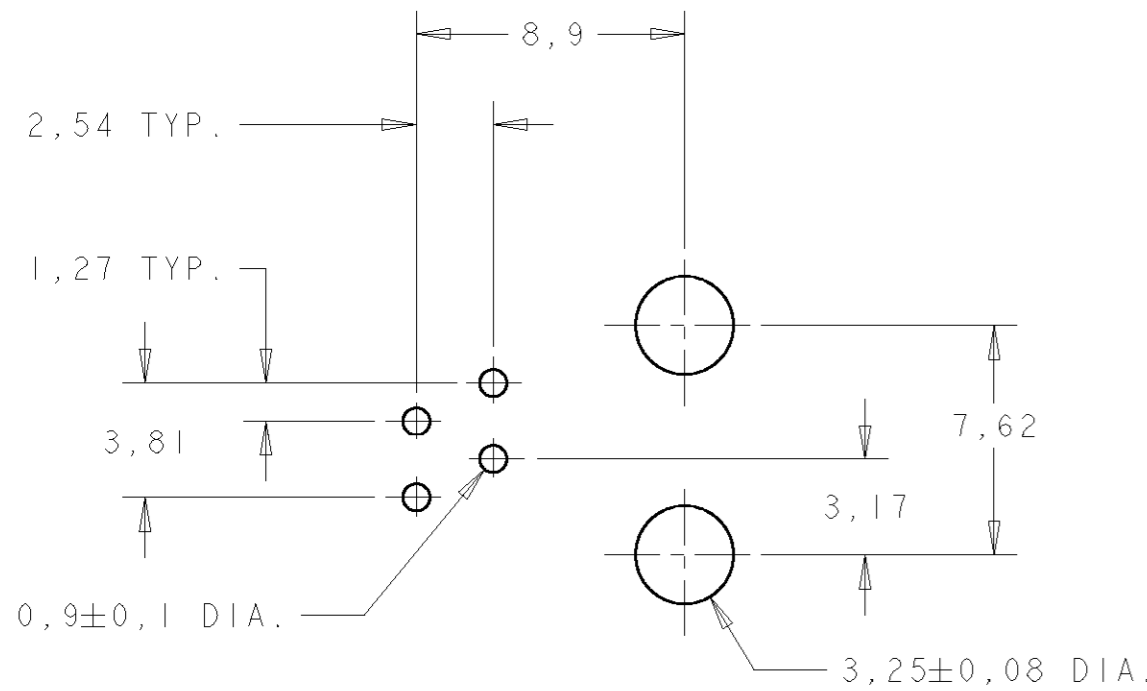
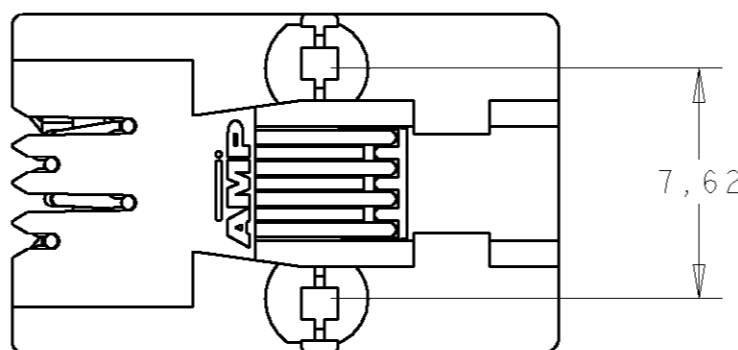
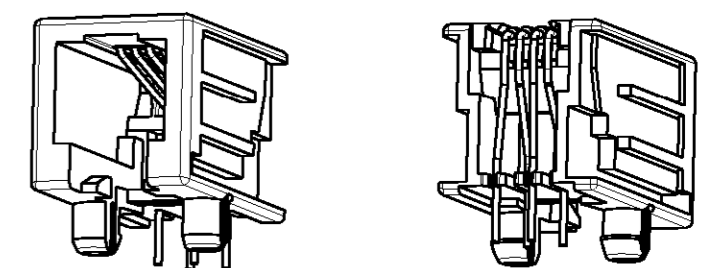
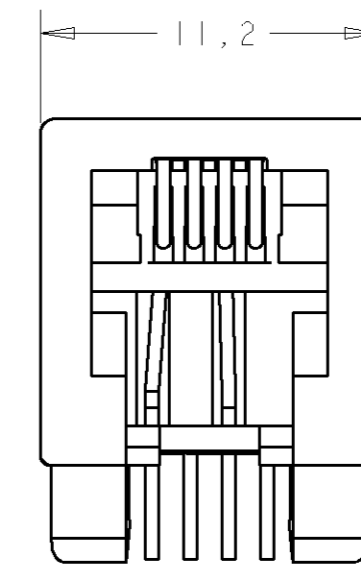
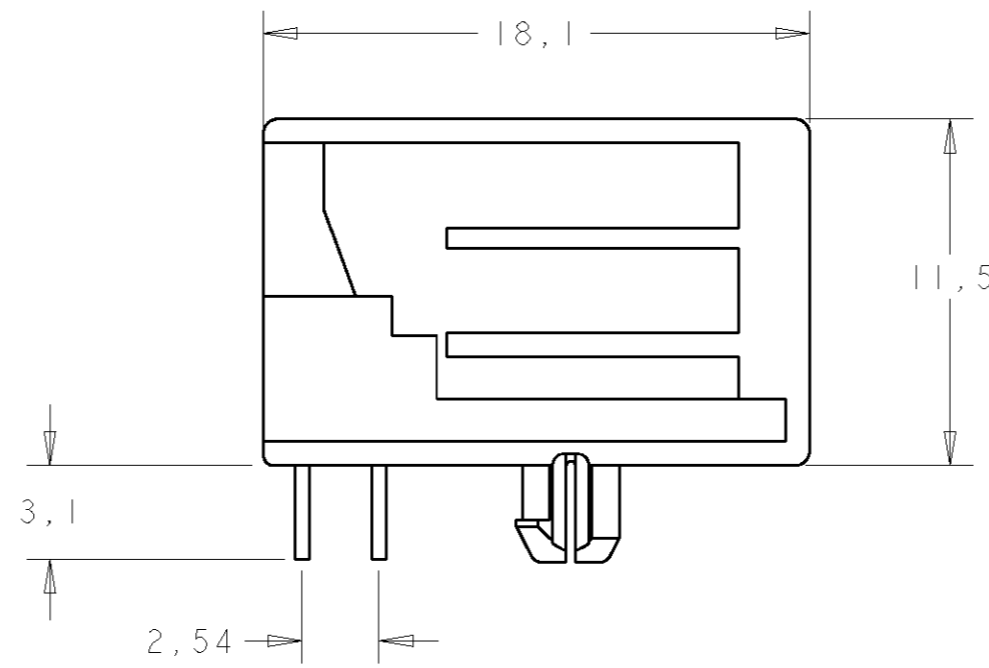
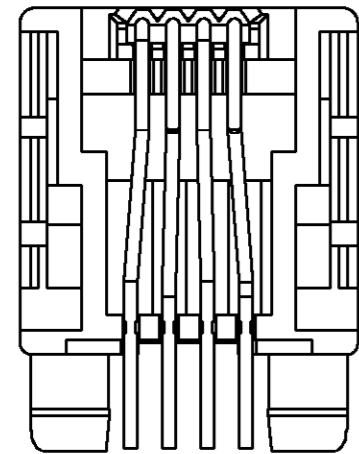
THIS DRAWING IS UNPUBLISHED. RELEASED FOR PUBLICATION DATE: -
 © COPYRIGHT 97 By Tyco Electronics Nederland B.V. ALL RIGHTS RESERVED.

LOC	DIST	REVISIONS			
		LTR	DESCRIPTION	DATE	APVD
H	-	A	EHI0-0183-05	10 FEB 05	JvdH
-	-	-	-	-	-
-	-	-	-	-	-



NOTE:

1 TOLERANCE UNLESS OTHERWISE SPECIFIED: ±0,15mm.



PRINTED CIRCUIT BOARD LAYOUT

(VIEW SHOWN IS CIRCUIT (NONCOMPONENT) SIDE OF BOARD.)
 PRINTED CIRCUIT BOARD THICKNESS: 1,6 mm NOMINAL.
 TOLERANCE UNLESS OTHERWISE SPECIFIED: ±0,05.

IN CONTACT AREA: 0,15µm SEL. GOLDFLASH. OVER 1,2µm MIN. NICKEL. SOLDER TINES: 2,5µm MIN. TIN OVER 1,2µm MIN. NICKEL.	HOUSING, COLOR BLACK: PBT 20% GF, UL 94V-0 CONTACT INSERT: PBT, UL 94V-0 CONTACTS: PH, BRONZE	290 PCS IN A TRAY TAPE MOUNTED 1000pcs./reel	1-1705949-1 1705949-1
FINISH	MATERIAL	PACKAGING	PARTNUMBER

THIS DRAWING IS A CONTROLLED DOCUMENT FOR Tyco Electronics Nederland B.V. IT IS SUBJECT TO CHANGE AND THE CONTROLLING ENGINEERING ORGANIZATION SHOULD BE CONTACTED FOR THE LATEST REVISION.		DWN J.V.D.HEIJDEN
DIMENSIONS: mm		CHK P.WILLEMS
TOLERANCES UNLESS OTHERWISE SPECIFIED: 0 PLC ± - 1 PLC ± - 2 PLC ± - 3 PLC ± - 4 PLC ± - ANGLES ± 0,2°		APVD J.BROEKSTEEG
MATERIAL	FINISH	PRODUCT SPEC -
		APPLICATION SPEC 114-19019
		WEIGHT -

AMP Tyco Electronics Nederland B.V. 3-HERTOGENBOSCH, THE NETHERLANDS		
NAME MODULAR JACK SIDE ENTRY 4/4 FOR PRINTED CIRCUIT BOARD.		
SIZE A2	CAGE CODE 00779	DRAWING NO. 1705949
SCALE 4:1 SHEET 1 OF 1 REV A		

Mouser Electronics

Authorized Distributor

Click to View Pricing, Inventory, Delivery & Lifecycle Information:

[TE Connectivity:](#)

[1-1705949-1](#)