

4

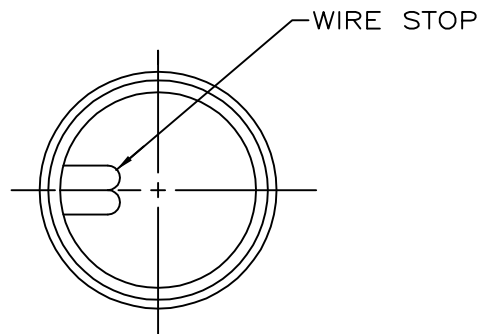
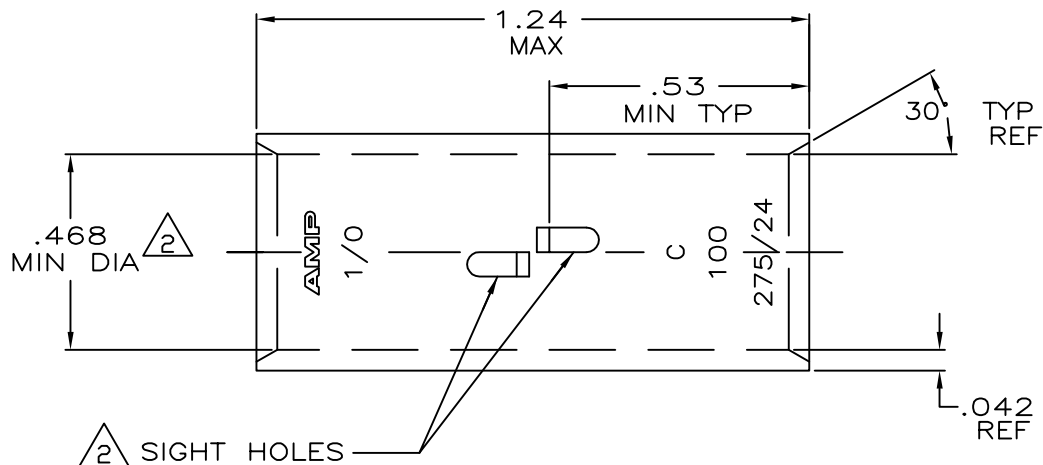
3

2

1

THIS DRAWING IS UNPUBLISHED. RELEASED FOR PUBLICATION
© COPYRIGHT - By - ALL RIGHTS RESERVED.

LOC	DIST	REVISIONS					
G	86	P	LTR	DESCRIPTION	DATE	DWN	APVD
		N		ECR-13-000998	08FEB2013	PK	HS



1 TIN PL .000150 MIN THK MIL-T-10727

2 .045 MAX BURR ALLOWED INSIDE THE WIRE BARREL ID IN AREA OF SIGHT HOLE.

CLEANED	83,700-119,500 CM	COPPER ASTM-B-75 ANNEALED	1-324458-0
FINISH	WIRE RANGE	MATERIAL	PART No

THIS DRAWING IS A CONTROLLED DOCUMENT.		DWN DK SCHRUM 4/24/89				
DIMENSIONS: INCHES		CHK MS FEHER 4/24/89				
TOLERANCES UNLESS OTHERWISE SPECIFIED:		APVD WJ VOCKROTH 11/8/89				
		NAME				
MATERIAL SEE TABLE		FINISH SEE TABLE	PRODUCT SPEC	SPLICE, BUTT, AMPPOWER WIRE SIZE: 1/0 AWG		
		APPLICATION SPEC	SIZE	CAGE CODE	DRAWING NO	RESTRICTED TO
		WEIGHT .027 LB.	A3	00779	C=324458	
		CUSTOMER DRAWING	SCALE	SHEET	REV	
			4:1	1 OF 1	N	

Mouser Electronics

Authorized Distributor

Click to View Pricing, Inventory, Delivery & Lifecycle Information:

[TE Connectivity:](#)

[324458](#)