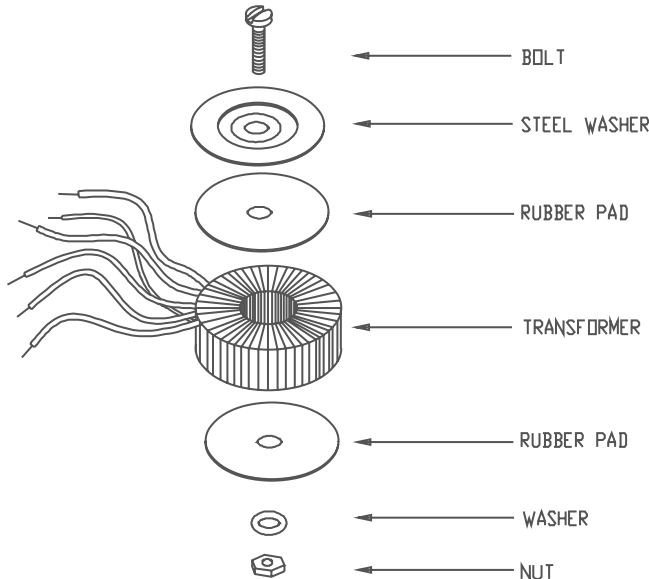


**HAMMOND
MANUFACTURING®**

**POWER - TOROID
GLOBAL USE
1182 SERIES**



Key Features

- Low profile, lightweight, cool running / high efficiency & low stray magnetic flux leakage.
- Dual 117/234 VAC primary, 50/60 Hz. operation.
- Units are designed to have all windings engaged (either series or parallel connected) or connected as an autotransformer.
- Supplied with two rubber insulating pads, one metal centering washer and all mounting hardware (up to and including 1,000 VA).
- Mounting hardware varies with VA size - see web site for details.
- Minimum 8" long flexible leads.
- Manufactured using Class B (130 degree C) materials.
- Hi-Pot test of 4,000 VAC RMS between primary & secondary.
- UL recognized to UL506 (XPTQ.Guide) UL file #E207860
- CSA certified to C22.2 #66 - CSA file #209651
- CE compliant to IEC 61558-2-4

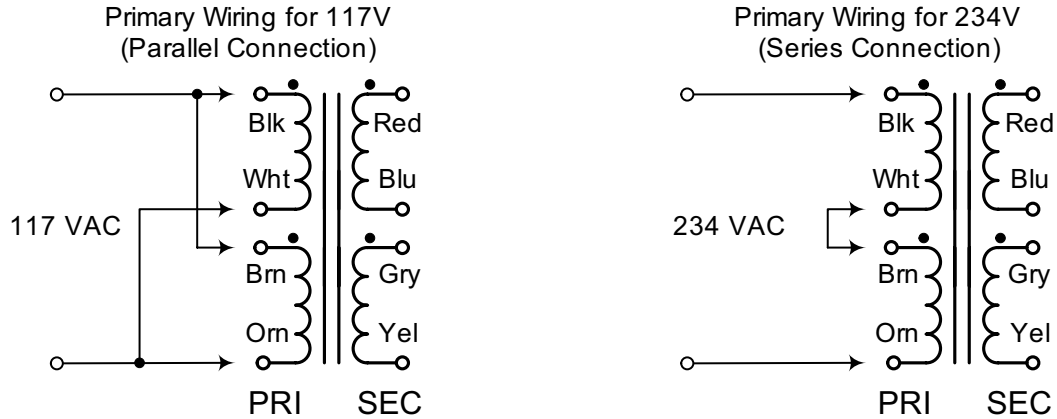
For more information on this series visit: <http://www.hammondmfg.com/1182.htm>

www.hammondmfg.com

Connection Information

“1182” - Toroid Power Transformers

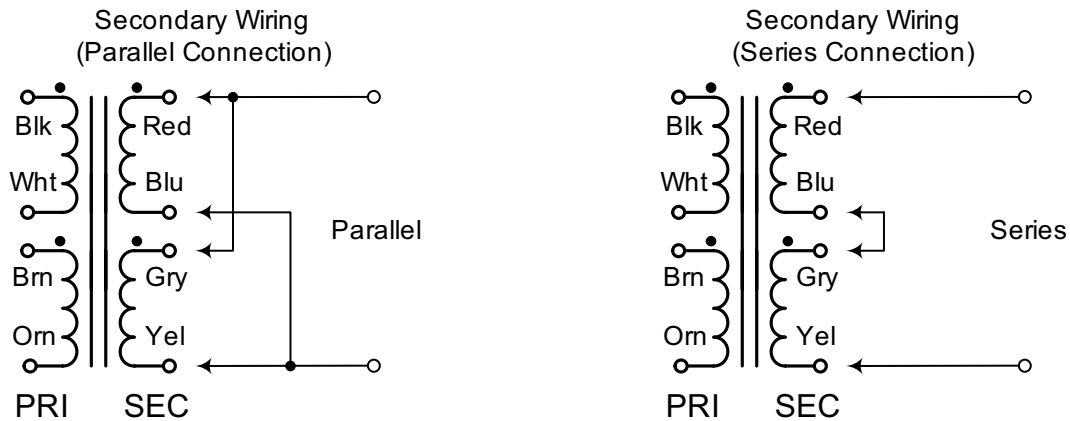
Primary Connections



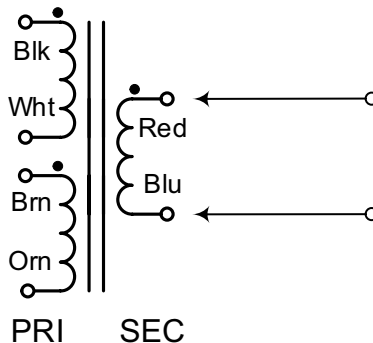
Note about Inrush Current:

Due to the superior magnetic properties of Toroidal transformers they will be susceptible to high magnetizing current when initially energized, only limited by the low DC resistance of the primary winding. Depending on where you are in the AC cycle when the transformer is energized dictates the chances of overloading the supply circuit. This is why the transformer may sometimes energize without a problem and other times it will blow the fuse or trip the circuit breaker. The duration of this overload is rarely longer than a half of a cycle. Therefore, you should consider using a slow-blow fuse, time delayed circuit breaker or other form of soft start circuitry for the supply line when using these high efficient Toroidal transformers.

Secondary Connections



Secondary Wiring
(Only Single Secondary Models)



Mouser Electronics

Authorized Distributor

Click to View Pricing, Inventory, Delivery & Lifecycle Information:

[Hammond:](#)

[1182KIT120](#)