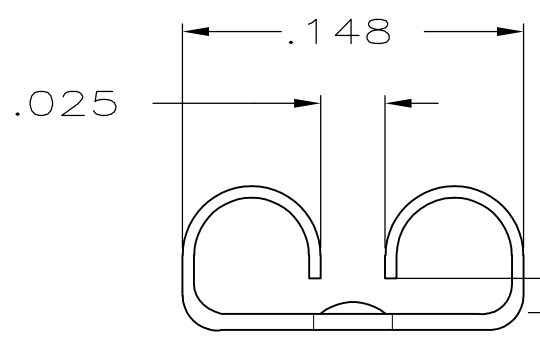
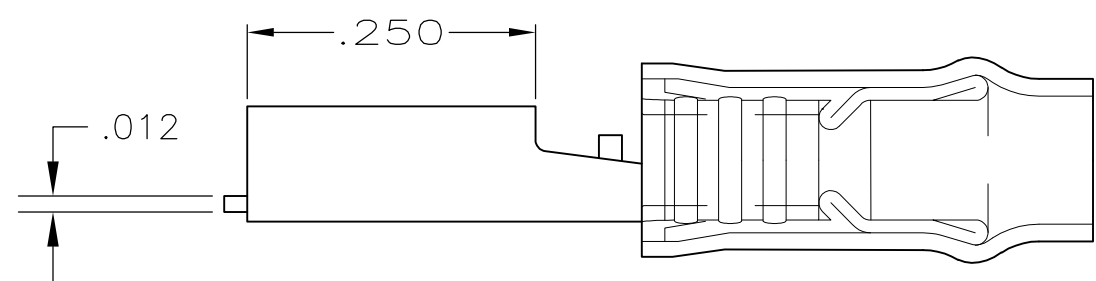
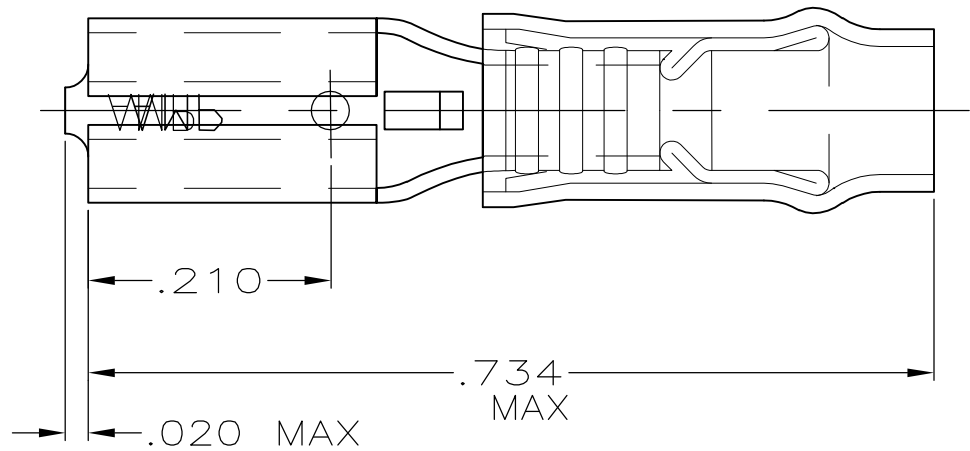


THIS DRAWING IS UNPUBLISHED. RELEASED FOR PUBLICATION
 © COPYRIGHT - By - ALL RIGHTS RESERVED.

LOC	DIST	REVISIONS			
P	LTR	DESCRIPTION	DATE	DWN	APVD
G	14	N2	REVISED PER ECO-11-004917	11MAR11	RK HMR

AMP
WIRE RANGE

22-18 AWG
STRANDED



FITS "110" SERIES FASTON TAB

- 1. WIRE INSULATION DIA .100 MAX
- 2. FITS TAB THK .020±.001
- 3. SUPERSEDED BY 61060-1
- 4. SUPERSEDED BY 8-61060-1
- 5. MATERIAL & FINISH:
 BODY - BRASS - PRE TIN PLATE
 SLEEVE - NYLON, COLOR-SEE TABLE

4	TRANSPARENT	50	LOOSE PIECE, BAG	8-61060-5
4	TRANSPARENT	5	LOOSE PIECE, BLS	8-61060-4
	TRANSPARENT	100	LOOSE PIECE, BOX	8-61060-1
3	BLACK	-	LOOSE PIECE	61060-3
	TRANSPARENT	5000	ON TAPE	61060-2
	TRANSPARENT	1000	LOOSE PIECE	61060-1
	INSULATION COLOR	QTY	PACKAGE TYPE	PART NO

AMP INCORPORATED CUSTOMER SERVICE SYSTEMS		MAX RECOMMENDED OPERATING TEMPERATURE: 105°C [221°F]	THIS DRAWING IS A CONTROLLED DOCUMENT.		DWN L OLMEDA 13NOV95 CHK M ELLIS 13NOV95 APVD B BARE 13NOV95	TE Connectivity				
FOR ADDITIONAL PRODUCT INFORMATION OR COPIES OF DRAWINGS AND TECHNICAL DOCUMENTS PRODUCT INFORMATION CENTER 1-800-522-6752	FOR APPLICATION TOOLING ASSISTANCE CENTER TOOLING INFORMATION 1-800-722-1111	VOLTAGE RATING: 300V MAX	DIMENSIONS: INCHES	TOLERANCES UNLESS OTHERWISE SPECIFIED: 0 PLC ± - 1 PLC ± - 2 PLC ± .015 3 PLC ± - 4 PLC ± - ANGLES ± - FINISH	NAME RECEPTACLE, 110 SERIES, FASTON , PIDG , WIRE SIZE: 22-18	SIZE A3	CAGE CODE 00779	DRAWING NO C-61060	RESTRICTED TO -	
FOR ORDER ENTRY 1-800-526-5142	THIS DRAWING IS A CONTROLLED DOCUMENT FOR AMP INCORPORATED. IT IS SUBJECT TO CHANGE AND THE CONTROLLING ENGINEERING ORGANIZATION SHOULD BE CONTACTED FOR THE LATEST REVISION.		MATERIAL 5	FINISH 5	WEIGHT -	CUSTOMER DRAWING		SCALE 1:1	SHEET 1 OF 1	REV N2

Mouser Electronics

Authorized Distributor

Click to View Pricing, Inventory, Delivery & Lifecycle Information:

[TE Connectivity:](#)

[8-61060-1](#) [61060-2](#) [61060-2 \(Loose Piece\)](#)