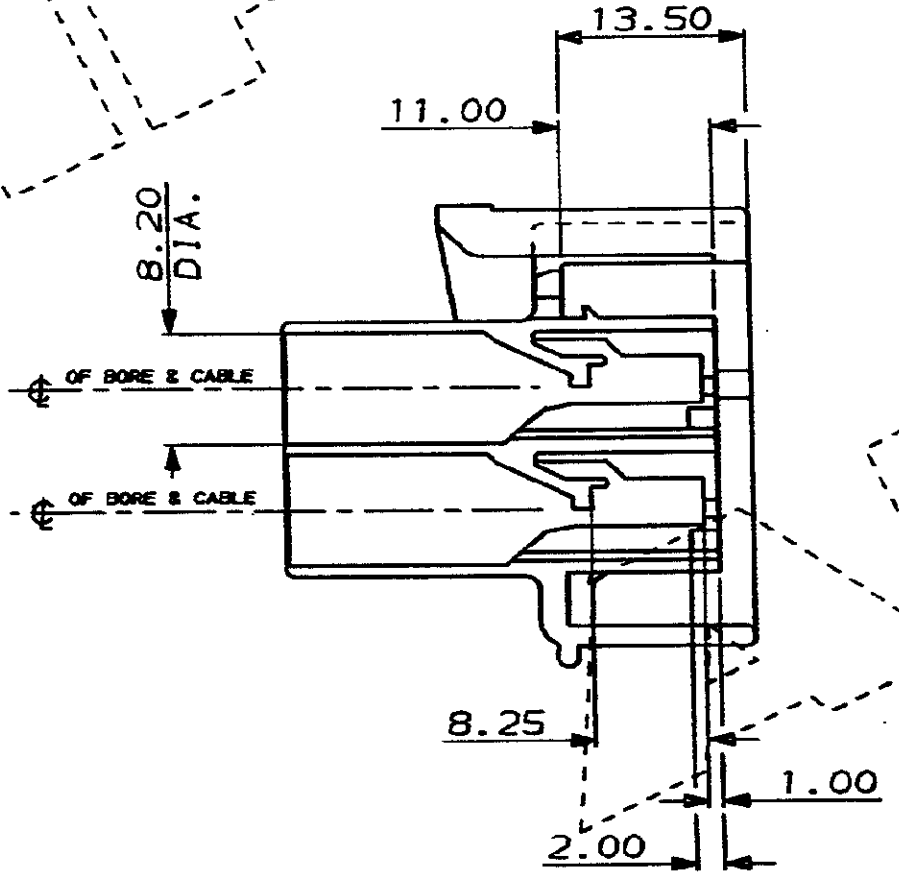
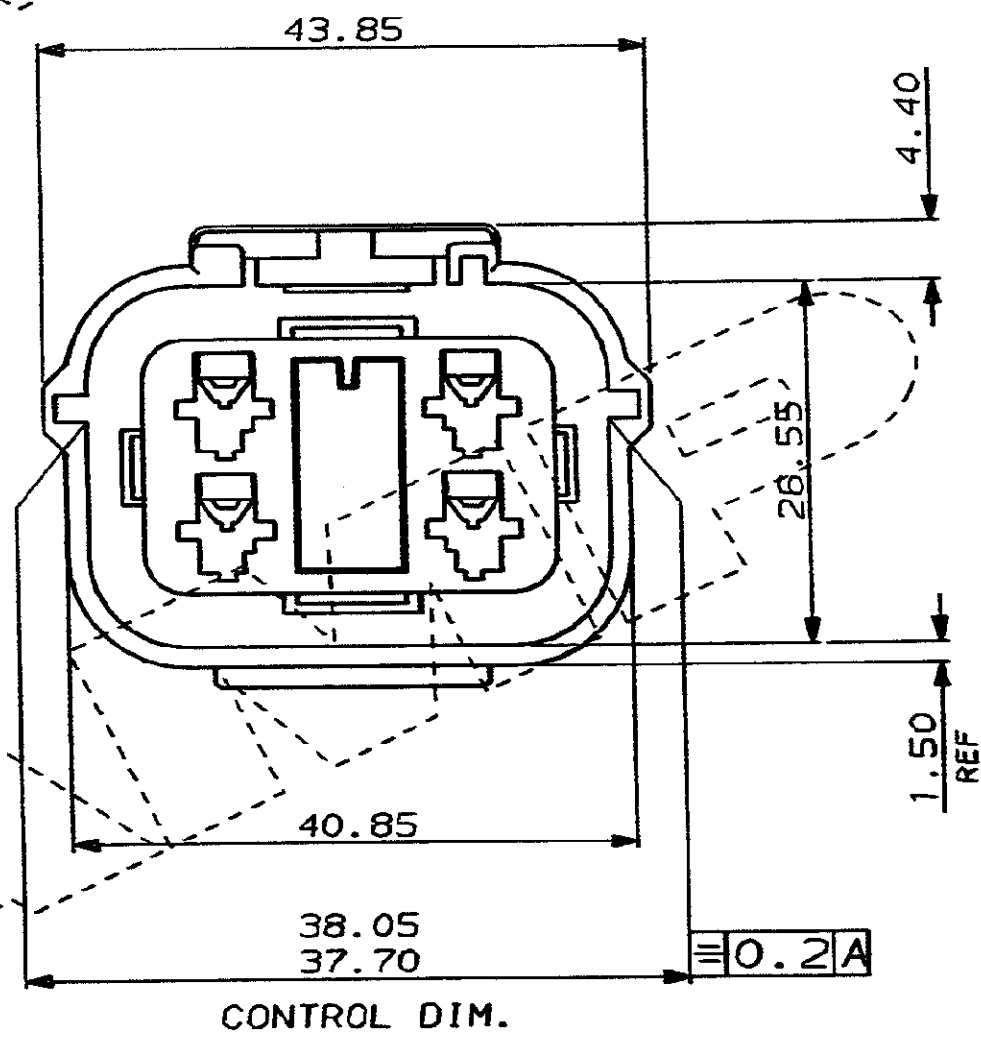
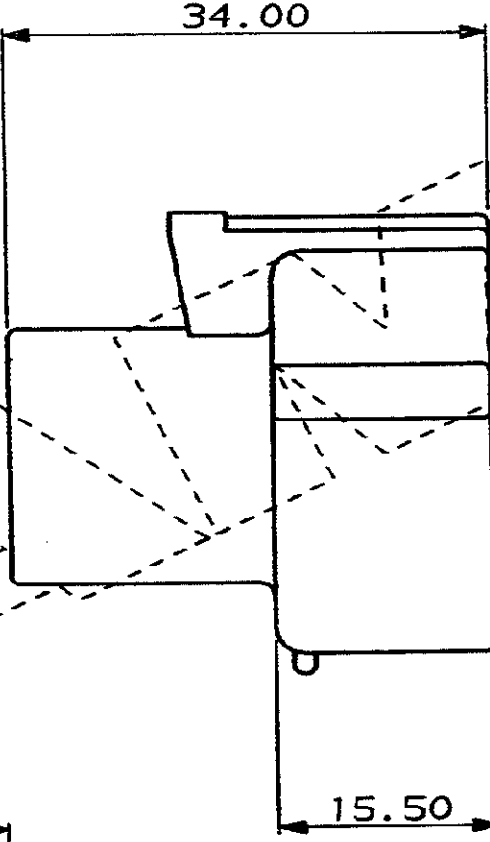
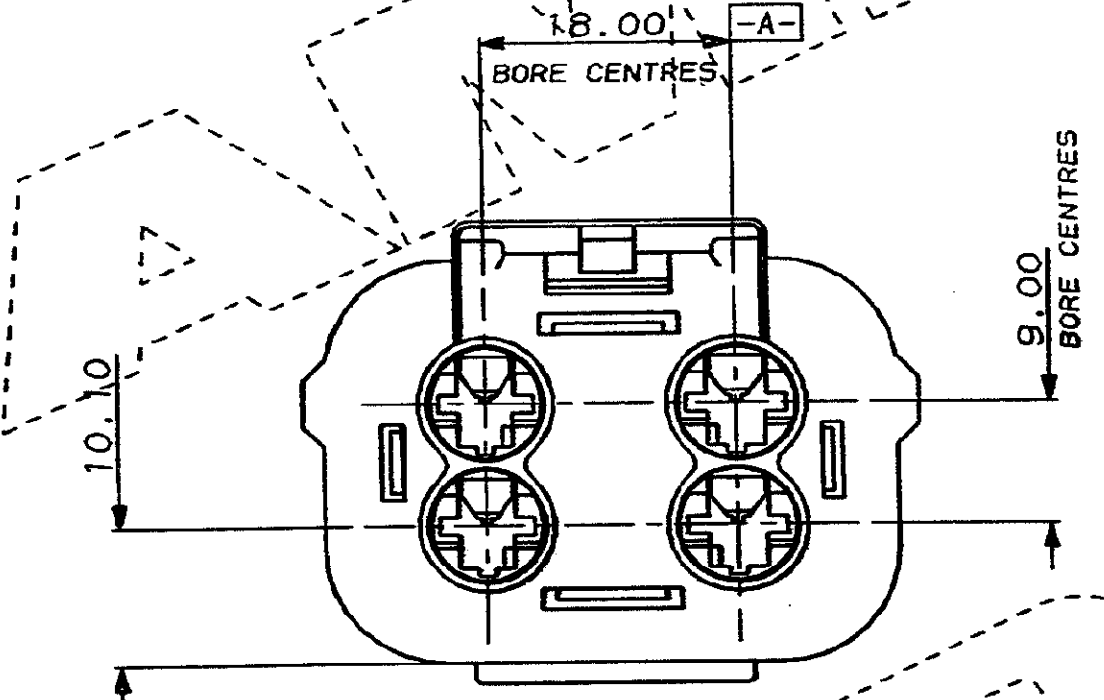
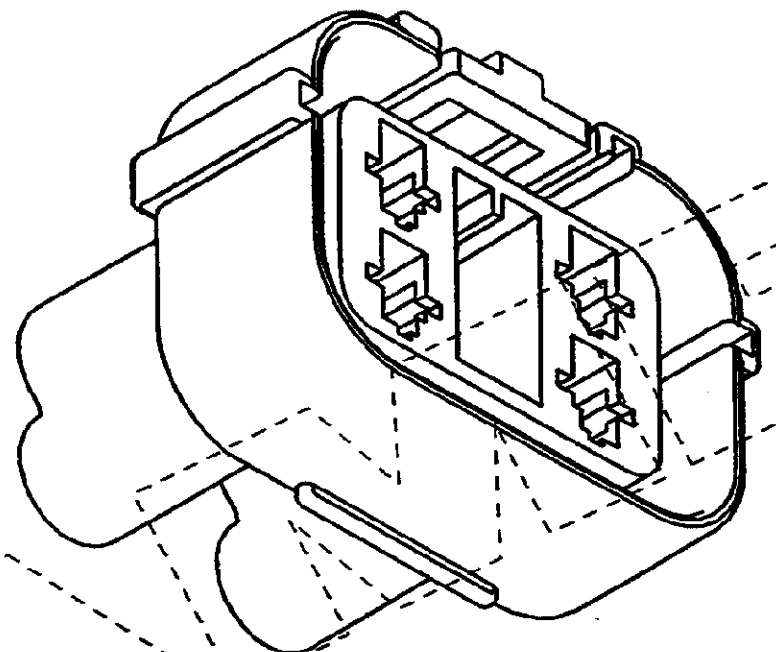
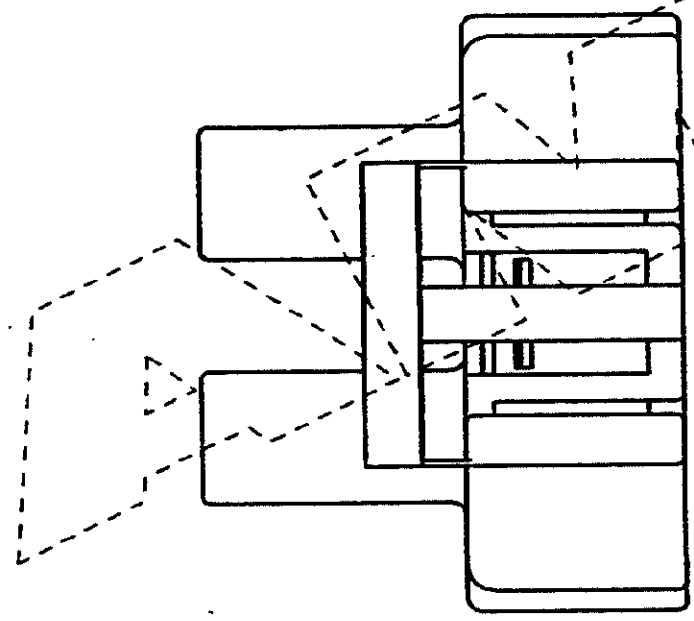
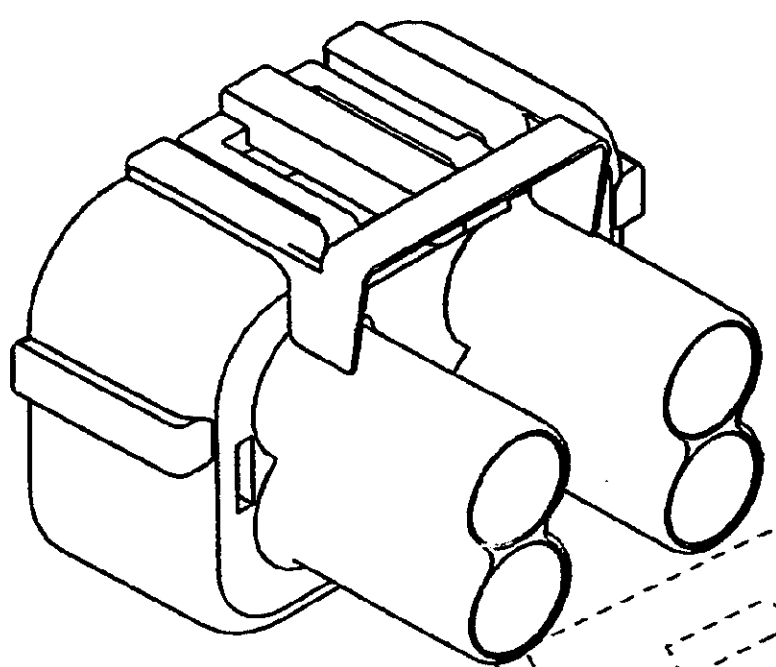
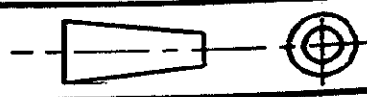


8 7 6 5 4 3 2 1

DO NOT SCALE

DIMENSIONS IN MM.



WHITE	NYLON 66	344077-4
BLUE	NYLON 66	344077-3
RED	NYLON 66	344077-2
BLACK	NYLON 66	344077-1
FINISH	MATERIAL	PART NUMBER

CUSTOMER DWG
FOR REFERENCE ONLY

© COPYRIGHT 1987 BY AMP OF GREAT BRITAIN LTD.
ALL INTERNATIONAL RIGHTS RESERVED. ALL PRODUCTS
MAY BE COVERED BY BRITISH AND FOREIGN PATENTS AND/OR PATENTS PENDING.

RELEASED FOR PUBLICATION
22/06/87

TOLERANCES UNLESS OTHERWISE STATED DEC ± 0.5 ANGLES ± 1°	DR. I. J.	22/06/87
	CH. R. J. S.	APP. B. J.



TERMINAL HOUSE
STANNORE
MIDD.

C	AMSD -2, -3 & -4	CS888	4.12.81	NAME	4 WAY RECEPTACLE HSG ECONOSEAL 3 HIGH CURRENT	SCALE	LOC	SIZE	DWG. No.	REV	SHEET
B	UPDATED	CS244	12.6.80								
A	UPDATED	CS688	20.7.80								
D	REL. FOR PUBL.	C4726	24.2.80								
REV	APPROVED	ECM	DATE								

C344077

REV C SHEET 1/1

8 7 6 5 4 3 2 1

Mouser Electronics

Authorized Distributor

Click to View Pricing, Inventory, Delivery & Lifecycle Information:

[TE Connectivity:](#)

[344077-1](#)