

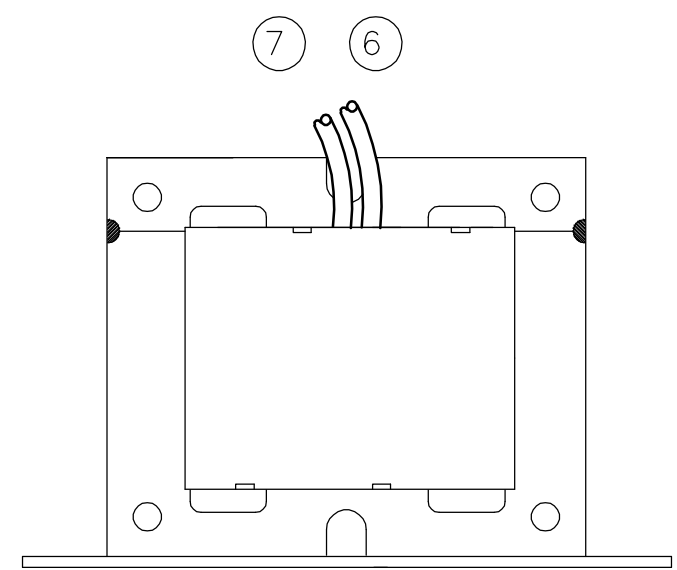
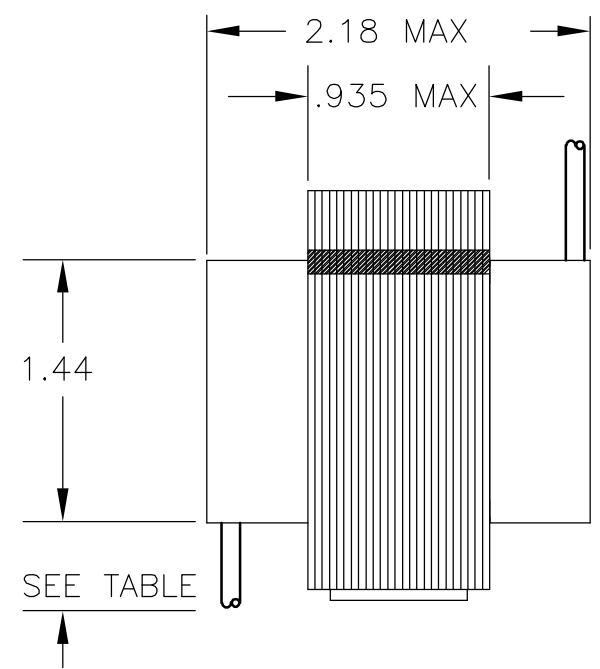
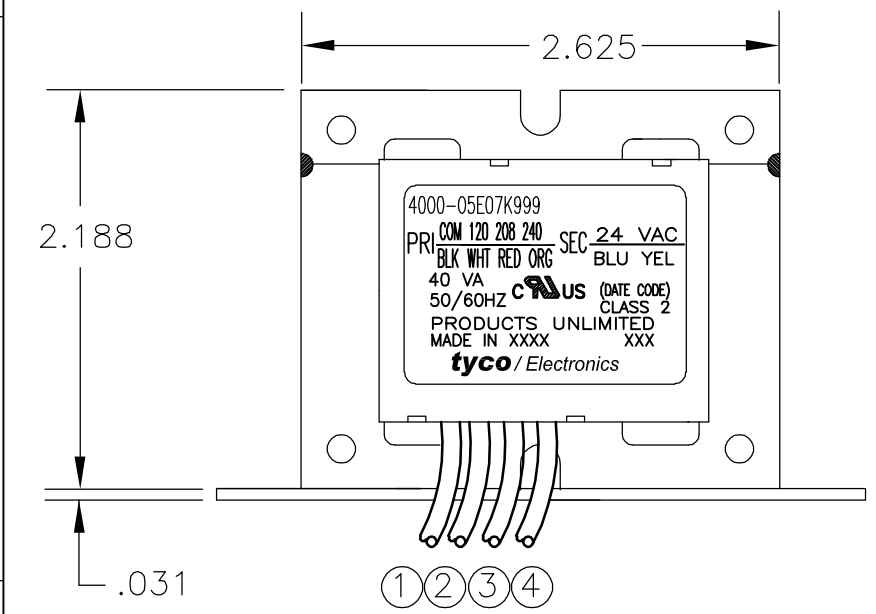
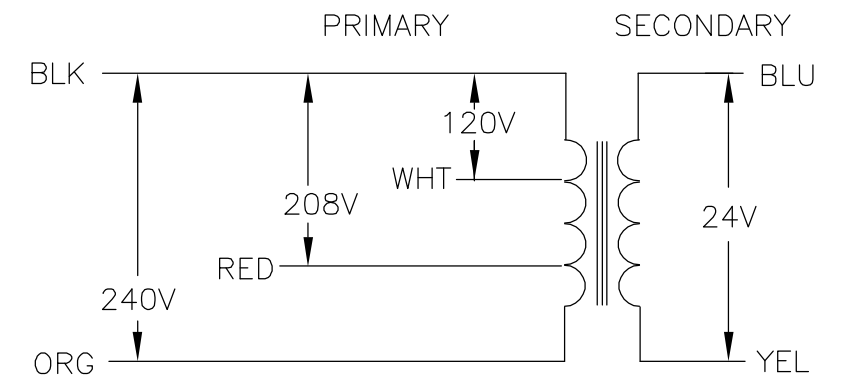
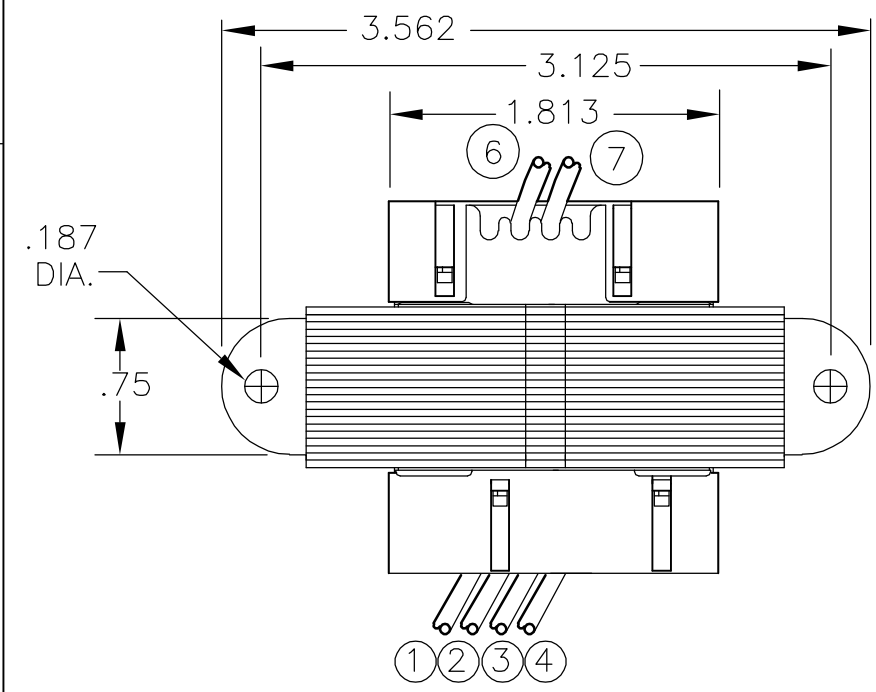
THIS DRAWING IS UNPUBLISHED. RELEASED FOR PUBLICATION
 © COPYRIGHT BY TYCO ELECTRONICS CORPORATION. ALL RIGHTS RESERVED.

LOC	DIST	REVISIONS					
GZ	00	P	LTR	DESCRIPTION	DATE	DWN	APVD
		B		0611-0155-03	16MAY2003	TCS	KH

PRIMARY					SECONDARY				
LEAD NO.	1	2	3	4	5	6	7	8	9
VOLTAGE	COM	120	208	240		24	VAC		
COLOR	BLK	WHT	RED	ORG		BLU	YEL		
LENGTH	12.0	12.0	12.0	12.0		12.0	12.0		
STRIP LENGTH	.50	.50	.50	.50		.50	.50		

NOTES
 1. DIMENSIONS FOR REFERENCE ONLY.
 2. WINDING PROTECTION—INHERENTLY LIMITING

CERTIFICATION:UL,CUL FILE NO. E87824



SCHEMATIC

TYCO PART NUMBER
8-1611454-0

THIS DRAWING IS A CONTROLLED DOCUMENT.		DWN	11FEB1997	
		CHK	K.H.	
		APVD	-	
		PRODUCT SPEC	-	
		APPLICATION SPEC	-	
		WEIGHT	-	
		CUSTOMER DRAWING		
		SCALE	NTS	
		SHEET	1 OF 1	
		REV	B	

DIMENSIONS:	TOLERANCES UNLESS OTHERWISE SPECIFIED:
INCHES	
	0 PLC ± -
	1 PLC ± -
	2 PLC ± -
	3 PLC ± -
	4 PLC ± -
	ANGLES ± -
MATERIAL	FINISH
-	-

Tyco Electronics Corporation Harrisburg, PA 17105-3608	
NAME	
TRANSFORMER OUTLINE P.U. STOCK	
SIZE	A3
CAGE CODE	00779
DRAWING NO	4000-05E07K999
RESTRICTED TO	-

Mouser Electronics

Authorized Distributor

Click to View Pricing, Inventory, Delivery & Lifecycle Information:

[TE Connectivity:](#)

[4000-05E07K999](#)