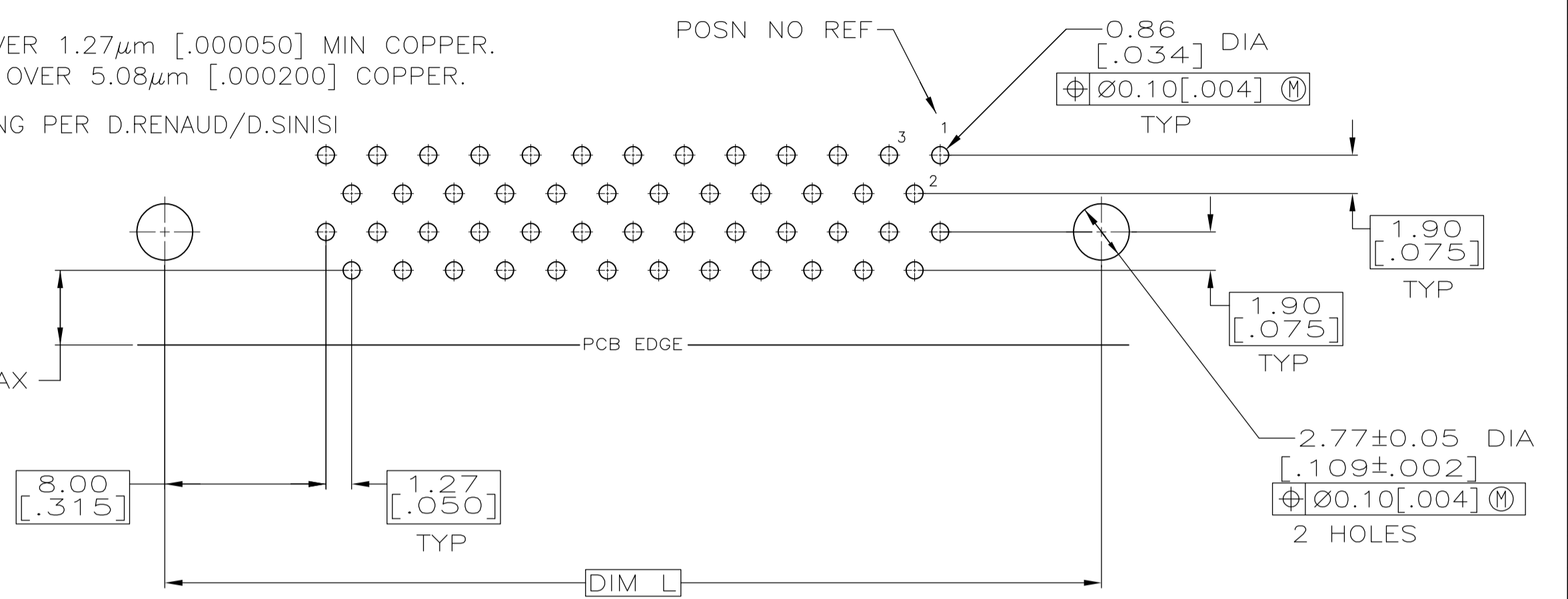
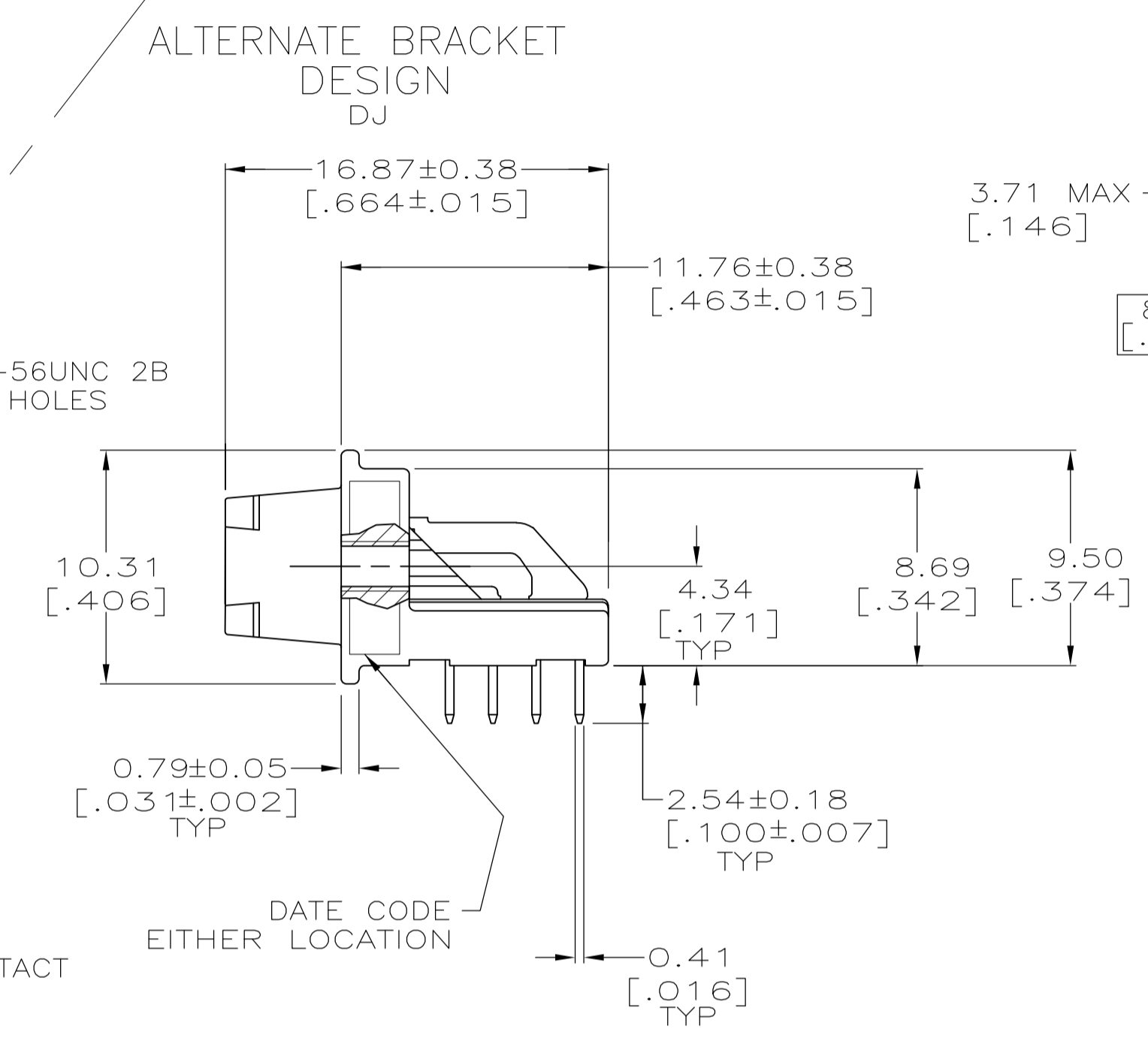
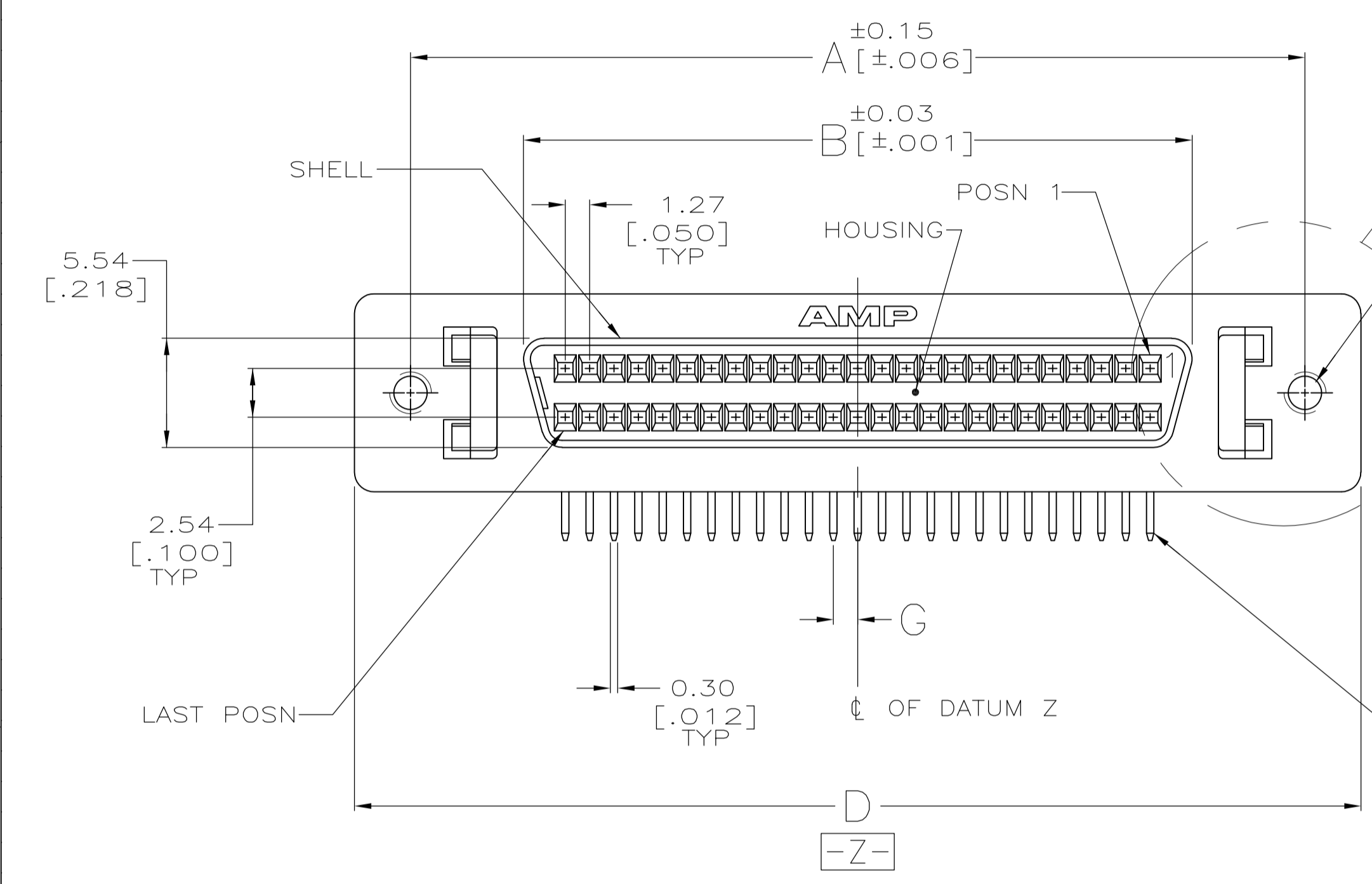
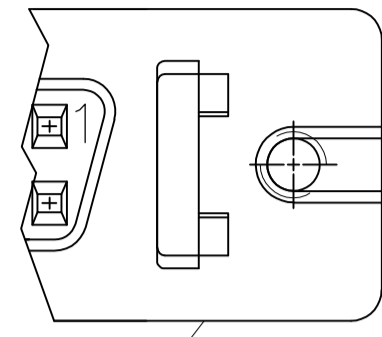
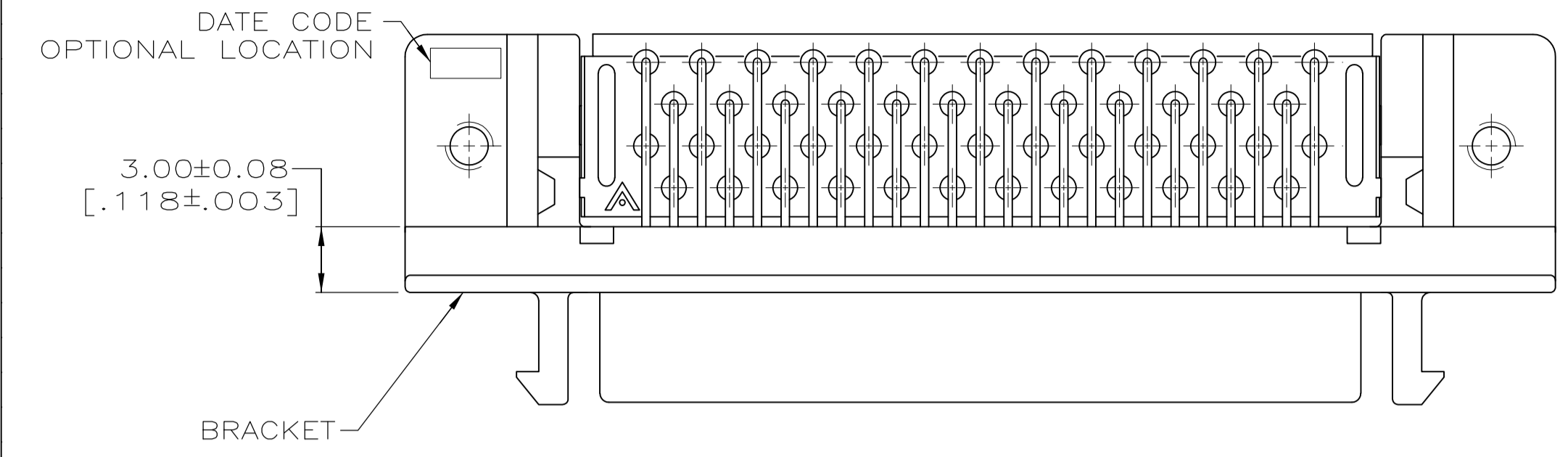


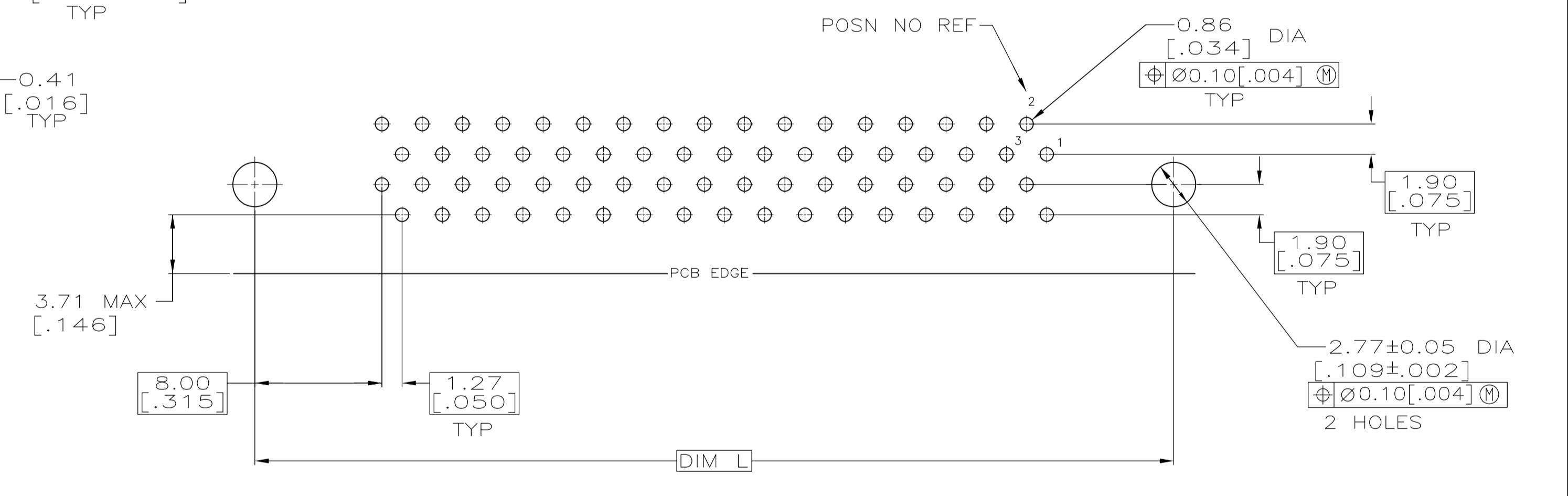
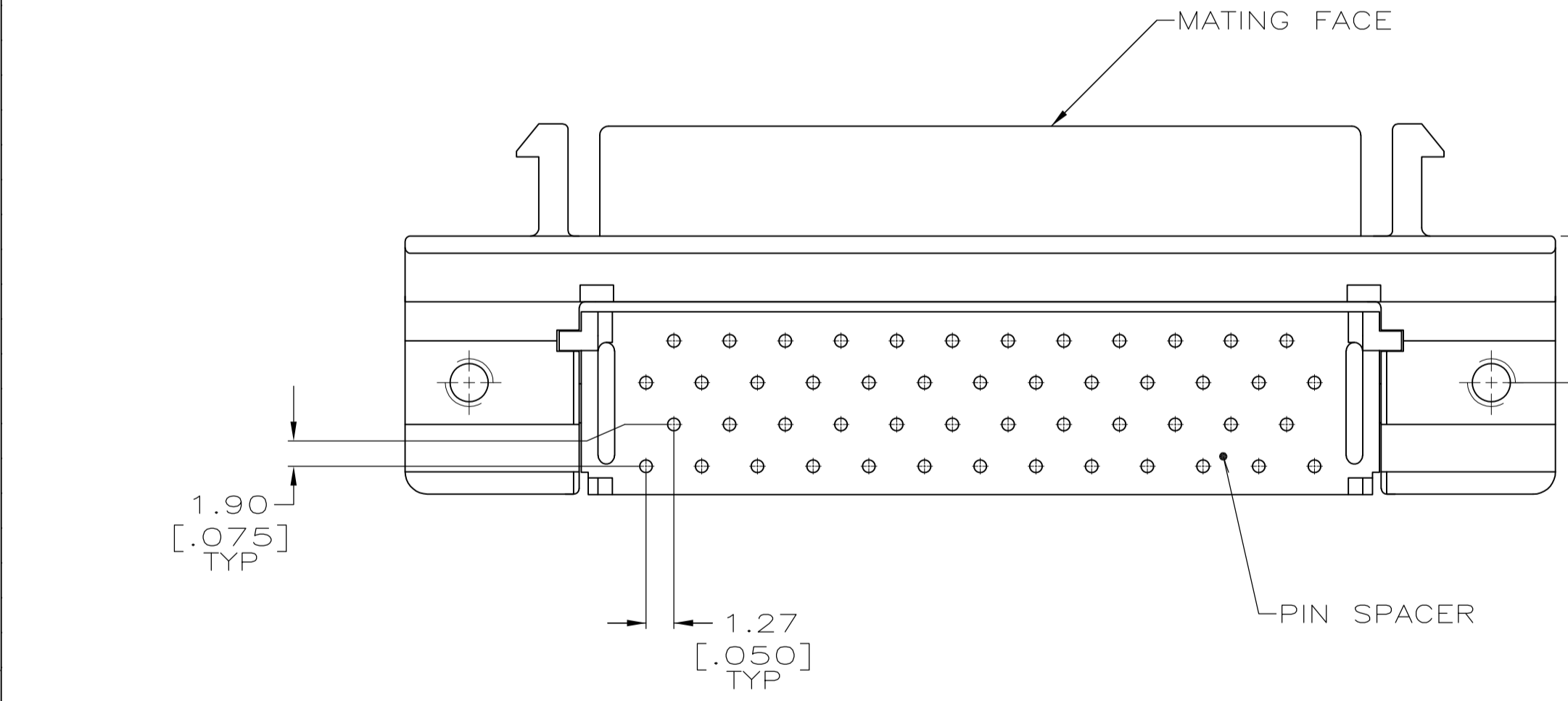
CONTACTS: PHOSPHOR BRONZE
 HOUSING & PIN SPACER: UL 94V-0 RATED, THERMOPLASTIC, BLACK
 BRACKET: ZINC
 SHELL: CARBON STEEL

CONTACTS: EITHER 0.76µm [.000030] MIN GOLD PLATE FOR A LENGTH OF 0.64 [.025] MAX, 0.13 [.005] MIN FROM MATING END OR GOLD FLASH OVER PALLADIUM NICKEL PLATE, 0.76µm [.000030] MIN TOTAL FOR A LENGTH OF 0.64 [.025] MAX, 0.13 [.005] MIN FROM MATING END. 3.81µm [.000150] MIN TIN ON OPPOSITE END FOR A LENGTH OF 2.72 [.107] MIN, BOTH OVER 1.27µm [.000050] MIN NICKEL.
 SHELL: 5.08µm [.000200] MIN NICKEL OVER 1.27µm [.000050] MIN COPPER.
 BRACKET: 2.54µm [.000100] MIN NICKEL OVER 5.08µm [.000200] COPPER.

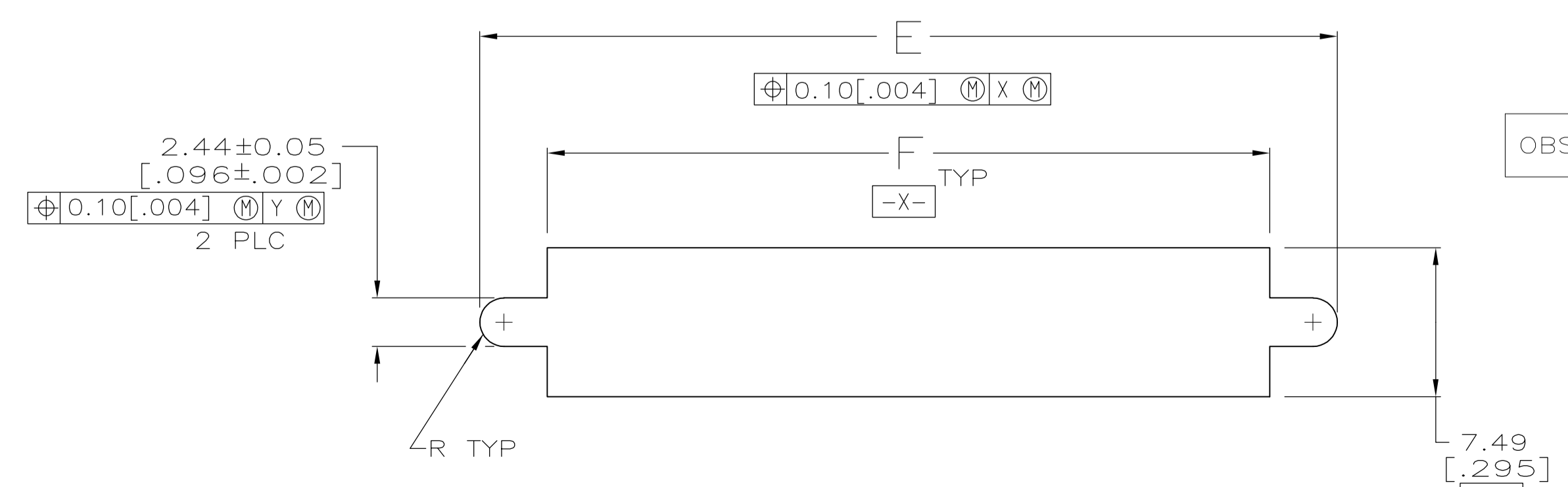
OBsolete PARTS: OBsolete CIS STREAMLINING PER D.RENAUD/D.SINISI



P.C. BOARD MOUNTING DIMENSIONS
 CONNECTOR SIDE
 P.C. BOARD THICKNESS 1.57±0.20 [.062±.008]
 PC BOARD PATTERN S



P.C. BOARD MOUNTING DIMENSIONS
 CONNECTOR SIDE
 P.C. BOARD THICKNESS 1.57±0.20 [.062±.008]
 PC BOARD PATTERN T



RECOMMENDED PANEL CUTOUT

3	OBsolete	T	78.23 [3.080]	0.64 [.025]	74.55 [2.935]	80.67 [3.176]	84.20 [3.315]	66.45 [2.616]	78.23 [3.080]	100	5787394-9
		T	65.53 [2.580]	0.64 [.025]	61.85 [2.435]	67.97 [2.676]	71.50 [2.815]	53.75 [2.116]	65.53 [2.580]	80	5787394-8
		T	57.91 [2.280]	0.64 [.025]	54.23 [2.135]	60.35 [2.376]	63.88 [2.515]	46.13 [1.816]	57.91 [2.280]	68	5787394-7
		S	46.48 [1.830]	1.27 [.050]	42.80 [1.685]	48.92 [1.926]	52.45 [2.065]	34.70 [1.366]	46.48 [1.830]	50	5787394-5
	OBsolete	T	32.51 [1.280]	0.64 [.025]	28.83 [1.135]	34.95 [1.376]	38.48 [1.515]	20.73 [.816]	32.51 [1.280]	28	5787394-3
		S	31.24 [1.230]	1.27 [.050]	27.56 [1.085]	33.68 [1.326]	37.21 [1.465]	19.46 [.766]	31.24 [1.230]	26	5787394-2
	PC BOARD PATTERN	L	G	F	E	D	B	A	NO OF POSN	PART NUMBER	

THIS DRAWING IS A CONTROLLED DOCUMENT.

DIMENSIONS: mm [INCHES]	TOLERANCES UNLESS OTHERWISE SPECIFIED:	DIN J. REITZEL 20DEC2004	STE
0 PLC ± -	1 PLC ± -	20DEC2004	TE Connectivity
2 PLC ± ± 0.13[.005]	3 PLC ± -	APVD S. SHUEY	RECEPTACLE ASSEMBLY, SHIELDED, TM
4 PLC ± -	ANGLES ± -	APVD M. WALMSLEY 20DEC2004	108-1228
MATERIAL	FINISH	APPLICATION SPEC 114-40029	RIGHT ANGLE, .050 SERIES AMPLITUDE
		WEIGHT	SIZE A1
		CUSTOMER DRAWING	SCALE 4:1 SHEET 1 of 1 REV D2

Mouser Electronics

Authorized Distributor

Click to View Pricing, Inventory, Delivery & Lifecycle Information:

[TE Connectivity:](#)

[5787394-2](#)