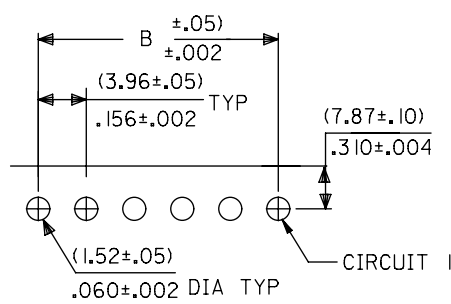
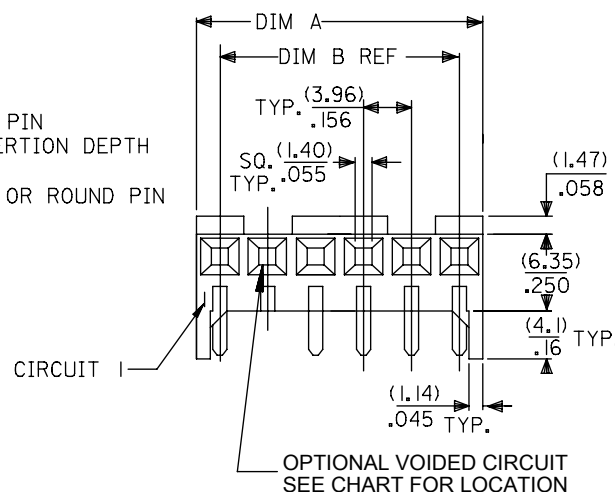
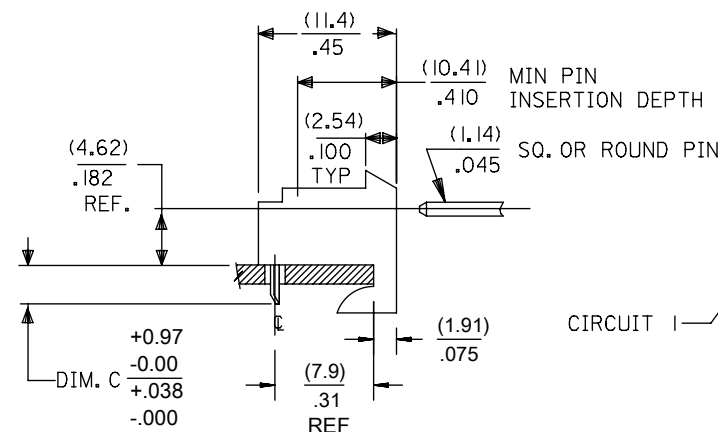


### RIGHT ANGLE

HOUSING: 41815-N-AN-\*\*\* (WITH RAMP)  
 HOUSING: 41815-N-DN-\*\*\* (WITHOUT RAMP)

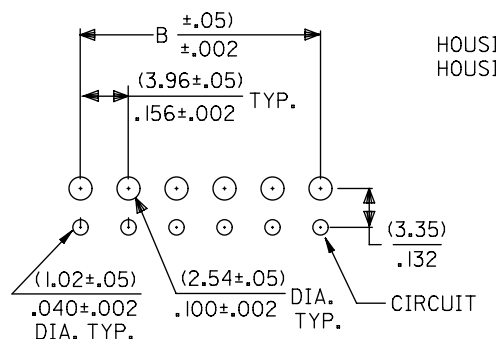


PCB LAYOUT: COMPONENT SIDE (1.57/.18)  
 RECOMMENDED PCB THICKNESS: .062/.007

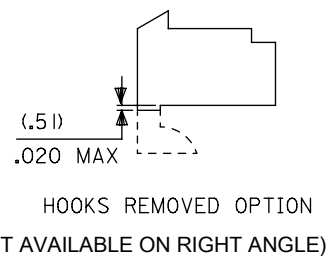
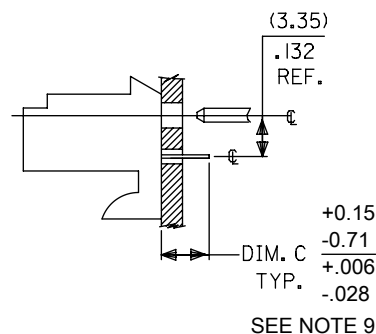


### BOTTOM ENTRY

HOUSING: 41815-N-AN-\*\*\* (WITH RAMP)  
 HOUSING: 41815-N-DN-\*\*\* (WITHOUT RAMP)

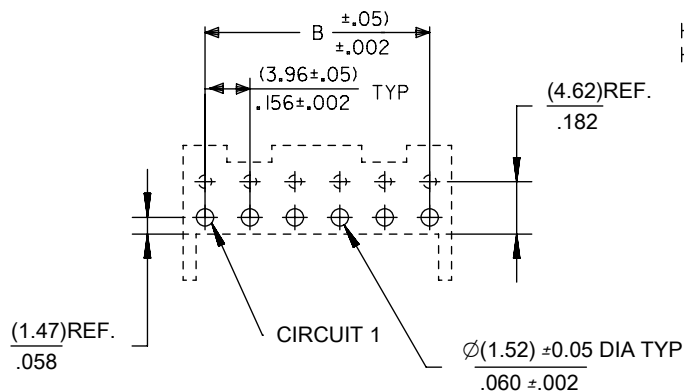


PCB LAYOUT: COMPONENT SIDE (1.57/.18)  
 RECOMMENDED PCB THICKNESS: .062/.007

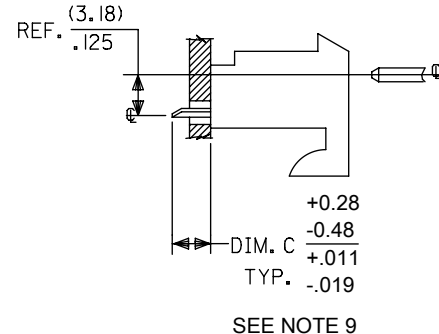


### TOP ENTRY

HOUSING: 41815-N-AN-\*\*\* (WITH RAMP)  
 HOUSING: 41815-N-DN-\*\*\* (WITHOUT RAMP)



PCB LAYOUT: COMPONENT SIDE (1.57/.18)  
 RECOMMENDED PCB THICKNESS: .062/.007



DIM. B	DIM. A	NO. OF CKTS
(3.96) .156	(7.82±.25) .308±.010	2
(7.92) .312	(11.79±.25) .464±.010	3
(11.89) .468	(15.75±.25) .620±.010	4
(15.85) .624	(19.71±.25) .776±.010	5
(19.81) .780	(23.67±.25) .932±.010	6
(23.77) .936	(27.64±.30) 1.088±.012	7
(27.74) 1.092	(31.60±.25) 1.244±.012	8
(31.70) 1.248	(35.56±.30) 1.400±.012	9
(35.66) 1.404	(39.52±.30) 1.556±.012	10
(39.62) 1.560	(43.48±.30) 1.712±.012	11
(43.59) 1.716	(47.45±.30) 1.868±.012	12
(47.55) 1.872	(51.41±.30) 2.024±.012	13
(51.51) 2.028	(55.37±.36) 2.180±.014	14
(55.47) 2.184	(59.33±.36) 2.336±.014	15

#### NOTES:

- MATERIAL: HOUSING: POLYESTER, RATED UL 94V-0, COLOR: NATURAL (WHITE)
- FINISH:
  - (197) = OVERALL REFLOWED MATTE TIN: 0.00152/.000060 MIN OVER 0.00127/.000050 MIN NICKEL.
  - (208) = SELECT GOLD: 0.00038/.000015 MIN, SELECT TIN: 0.00254/.000100 MIN, OVERALL NICKEL UNDERPLATE: 0.00127/.000050 MIN.
  - (228) = SELECT GOLD: 0.00076/.000030 MIN, SELECT TIN: 0.00254/.000100 MIN, OVERALL NICKEL UNDERPLATE: 0.00127/.000050 MIN.
  - (909) = OVERALL TIN: 0.00254/.000100 MIN.
- PRODUCT SPECIFICATION: PS-08-50
- PACKAGING: SEE CHARTS
- FOR TOP ENTRY AND RIGHT ANGLE ASSEMBLIES WITH LOWER INSERTION FORCE USE SINGLE BEAM CONTACT. (TERMINAL NO. 4244)
- SOLDERABILITY: WHEN PARTS ARE SOLDERED AT A TEMPERATURE OF 230°C (446°F) FOR 5 SECONDS EACH SOLDERED SURFACE SHALL BE A MINIMUM OF 95% COVERED WITH A SMOOTH CONTINUOUS ADHERENT COATING. FOR ADDITIONAL INFORMATION SEE SMES-152.
- PARTS ARE STACKABLE END TO END ON (3.96)/.156 CENTERLINE.
- THIS PART CONFORMS TO CLASS B REQUIREMENTS OF COSMETIC SPEC PS-45499-002.
- DIMENSION 'C' MEASURED WITH TERMINAL PUSHED IN AGAINST THE STOP.

THIS DRAWING CONTAINS INFORMATION THAT IS PROPRIETARY TO MOLEX ELECTRONIC TECHNOLOGIES, LLC AND SHOULD NOT BE USED WITHOUT WRITTEN PERMISSION										
QUALITY SYMBOLS	DIM C TOLERANCE	EC NO: 107740	DRWN: MKIPPER	CHK'D: JBELL	APPR: FSMITH	GENERAL TOLERANCES (UNLESS SPECIFIED)		DIMENSION UNITS	SCALE	
						MM	INCH	MM/IN	NTS	
▽ = 0		2016/08/22	2016/08/24	2016/08/26		4 PLACES	±	±	DRWN BY	DATE
▽ = 0						3 PLACES	±	± 0.01	SAMIEC	1987/01/28
▽ = 0						2 PLACES	± 0.25	± 0.015	CHK'D BY	DATE
▽ = 0						1 PLACES	± 0.38	±	SAMIEC	1987/01/28
▽ = 0						0 PLACES	±	±	APPR BY	DATE
▽ = 0						ANGULAR TOL ± 0.5		DRAWING SIZE	THIRD ANGLE PROJECTION	
▽ = 0						DRAFT WHERE APPLICABLE MUST REMAIN WITHIN DIMENSIONS		B		
<b>molex®</b>										
KK 156 HOUSING PCB 41815 SERIES										
PRODUCT CUSTOMER DRAWING										
SERIES		MATERIAL NUMBER			CUSTOMER					
41815		SEE CHART			GENERAL MARKET					
DOCUMENT NUMBER				DOC TYPE		DOC PART		SHEET NUMBER		
SDA-41815				PSD		000		1 OF *		

RELEASE STATUS	RELEASE DATE
----------------	--------------



# KK 156 PCB ASSY 2-15 CKT

## 41815 SERIES

Assy. Proc:	RIGHT ANGLE
Housing No:	41815-N-AN
Options	WITH RAMP
Terminal No:	2144-BA-A1AA-197B
Term Matl:	PHOS BRONZE
Plating:	197 TIN
Dim C:	(3.68) / .145
Voids:	NONE
Hooks Cut:	NO
Packaging:	PK-41815-001 TRAY

Assy. Proc:	RIGHT ANGLE
Housing No:	41815-N-AN
Options	WITH RAMP
Terminal No:	2144-BA-A1AA-208B
Term Matl:	PHOS BRONZE
Plating:	208 – 15 GOLD
Dim C:	(3.68) / .145
Voids:	NONE
Hooks Cut:	NO
Packaging:	PK-41815-001 TRAY

Assy. Proc:	BOTTOM ENTRY
Housing No:	41815-N-AN
Options	WITH RAMP
Terminal No:	6298-1-197
Term Matl:	PHOS BRONZE
Plating:	197 – TIN
Dim C:	(3.18)/. 125
Voids:	NONE
Hooks Cut:	NO
Packaging:	PK-41815-001 TRAY

Assy. Proc:	BOTTOM ENTRY
Housing No:	41815-N-AN
Options	WITH RAMP
Terminal No:	6298-1-208
Term Matl:	PHOS BRONZE
Plating:	208 – 15 GOLD
Dim C:	(3.18)/. 125
Voids:	NONE
Hooks Cut:	NO
Packaging:	PK-41815-001 TRAY

Ckts	Material No	Engineer Number
2	09-48-1024	A-41815-0002
3	09-48-1034	A-41815-0003
4	09-48-1044	A-41815-0004
5	09-48-1054	A-41815-0005
6	09-48-1064	A-41815-0006
7	09-48-1074	A-41815-0007
8	09-48-1084	A-41815-0008
9	09-48-1094	A-41815-0009
10	09-48-1104	A-41815-0010
11	09-48-1114	A-41815-0011
12	09-48-1124	A-41815-0012
13	09-48-1134	A-41815-0013
14	09-48-1144	A-41815-0014
15	09-48-1154	A-41815-0015

Material No	Engineer Number
09-48-5024	A-41815-0016
09-48-5034	A-41815-0017
09-48-5044	A-41815-0018
09-48-5054	A-41815-0019
09-48-5064	A-41815-0020
09-48-5074	A-41815-0021
09-48-5084	A-41815-0022
09-48-5094	A-41815-0023
09-48-5104	A-41815-0024
09-48-5114	A-41815-0025
09-48-5124	A-41815-0026
09-48-5134	A-41815-0027
09-48-5144	A-41815-0028
09-48-5154	A-41815-0029

Material No	Engineer Number
09-48-4029	A-41815-0030
09-48-4039	A-41815-0031
09-48-4049	A-41815-0032
09-48-4059	A-41815-0033
09-48-4069	A-41815-0034
09-48-4079	A-41815-0035
09-48-4089	A-41815-0036
09-48-4099	A-41815-0037
09-48-4109	A-41815-0038
09-48-4119	A-41815-0039
09-48-4129	A-41815-0040
09-48-4139	A-41815-0041
09-48-4149	A-41815-0042
09-48-4159	A-41815-0043

Material No	Engineer Number
09-48-5026	A-41815-0044
09-48-5036	A-41815-0045
09-48-5046	A-41815-0046
09-48-5056	A-41815-0047
09-48-5066	A-41815-0048
09-48-5076	A-41815-0049
09-48-5086	A-41815-0050
09-48-5096	A-41815-0051
09-48-5106	A-41815-0052
09-48-5116	A-41815-0053
09-48-5126	A-41815-0054
09-48-5136	A-41815-0055
09-48-5146	A-41815-0056
09-48-5156	A-41815-0057

<b>AN4</b>	<u>REV:</u>		<u>ECR/ECN INFORMATION:</u>		<u>TITLE:</u>		<u>SHEET No.</u>
			<u>EC NO.</u>	<b>121254</b>	<b>KK 156 HOUSING ASSY PCB</b>		<b>- 2 -</b>
			<u>DATE:</u>	<b>8/30/2017</b>	<b>41815 SERIES DWG</b>		
<u>DOCUMENT NUMBER:</u>			<u>CREATED / REVISED BY:</u>		<u>CHECKED BY:</u>		<u>APPROVED BY:</u>
<b>SDA-41815</b>			<b>SS06</b>		<b>SS06</b>		<b>ISHWARG</b>



# KK 156 PCB ASSY 2-15 CKT

## 41815 SERIES

Assy. Proc:	TOP ENTRY
Housing No:	41815-N-AN
Options	WITH RAMP
Terminal No:	2144-BA-A1AA-197B
Term Matl:	PHOS BRONZE
Plating:	197 – TIN
Dim C:	(3.05) / .120
Voids:	NONE
Hooks Cut:	NO
Packaging:	PK-41815-001 TRAY

Assy. Proc:	TOP ENTRY
Housing No:	41815-N-AN
Options	WITH RAMP
Terminal No:	2144-BA-A1AA-208B
Term Matl:	PHOS BRONZE
Plating:	208 – 15 GOLD
Dim C:	(3.05) / .120
Voids:	NONE
Hooks Cut:	NO
Packaging:	PK-41815-001 TRAY

Assy. Proc:	BOTTOM ENTRY
Housing No:	41815-N-AN
Options	WITH RAMP
Terminal No:	2188-1-P909
Term Matl:	BRASS
Plating:	P909 – TIN
Dim C:	(3.18) / .125
Voids:	NONE
Hooks Cut:	NO
Packaging:	PK-41815-001 TRAY

Assy. Proc:	TOP ENTRY
Housing No:	41815-N-AN
Options	WITH RAMP
Terminal No:	2144-AA-A1AA-P909B
Term Matl:	BRASS
Plating:	P909 – TIN
Dim C:	(3.05) / .120
Voids:	NONE
Hooks Cut:	YES
Packaging:	PK-41815-001 TRAY

Ckts	Material No	Engineer Number
2	09-48-4028	A-41815-0058
3	09-48-4038	A-41815-0059
4	09-48-4048	A-41815-0060
5	09-48-4058	A-41815-0061
6	09-48-4068	A-41815-0062
7	09-48-4078	A-41815-0063
8	09-48-4088	A-41815-0064
9	09-48-4098	A-41815-0065
10	09-48-4108	A-41815-0066
11	09-48-4118	A-41815-0067
12	09-48-4128	A-41815-0068
13	09-48-4138	A-41815-0069
14	09-48-4148	A-41815-0070
15	09-48-4158	A-41815-0071

Material No	Engineer Number
09-48-5025	A-41815-0072
09-48-5035	A-41815-0073
09-48-5045	A-41815-0074
09-48-5055	A-41815-0075
09-48-5065	A-41815-0076
09-48-5075	A-41815-0077
09-48-5085	A-41815-0078
09-48-5095	A-41815-0079
09-48-5105	A-41815-0080
09-48-5115	A-41815-0081
09-48-5125	A-41815-0082
09-48-5135	A-41815-0083
09-48-5145	A-41815-0084
09-48-5155	A-41815-0085

Material No	Engineer Number
09-48-2022	A-41815-0100
09-48-2032	A-41815-0101
09-48-2042	A-41815-0102
09-48-2052	A-41815-0103
09-48-2062	A-41815-0104
09-48-2072	A-41815-0105
09-48-2082	A-41815-0106
09-48-2092	A-41815-0107
09-48-2102	A-41815-0108
09-48-2112	A-41815-0109
09-48-2122	A-41815-0110
09-48-2132	A-41815-0111
09-48-2142	A-41815-0112
09-48-2152	A-41815-0113

Material No	Engineer Number
09-48-2025	A-41815-0114
09-48-2035	A-41815-0115
09-48-2045	A-41815-0116
09-48-2055	A-41815-0117
09-48-2065	A-41815-0118
09-48-2075	A-41815-0119
09-48-2085	A-41815-0120
09-48-2095	A-41815-0121
09-48-2105	A-41815-0122
09-48-2115	A-41815-0123
09-48-2125	A-41815-0124
09-48-2135	A-41815-0125
09-48-2145	A-41815-0126
09-48-2155	A-41815-0127

<b>REV:</b>  <b>AN4</b>	<b>ECR/ECN INFORMATION:</b>		<b>TITLE:</b>  <b>KK 156 HOUSING ASSY PCB</b> <b>41815 SERIES DWG</b>	<u>SHEET No.</u>
	EC NO.	<b>121254</b>		<b>- 3 -</b>
	DATE:	<b>8/30/2017</b>		
<b>DOCUMENT NUMBER:</b> <b>SDA-41815</b>		<b>CREATED / REVISED BY:</b> <b>SS06</b>	<b>CHECKED BY:</b> <b>SS06</b>	<b>APPROVED BY:</b> <b>ISHWARG</b>



# KK 156 PCB ASSY 2-15 CKT

## 41815 SERIES

Ckts	Assy. Proc:		Assy. Proc:		Assy. Proc:		Assy. Proc:	
	Material No	Engineer Number	Material No	Engineer Number	Material No	Engineer Number	Material No	Engineer Number
2			09-48-4021	A-41815-0170	41815-0184	A-41815-0184	09-48-2021	A-41815-0198
3			09-48-4031	A-41815-0171	09-48-5030	A-41815-0185	09-48-2031	A-41815-0199
4			09-48-4041	A-41815-0172	09-48-5040	A-41815-0186	09-48-2041	A-41815-0200
5			09-48-4051	A-41815-0173	09-48-5050	A-41815-0187	09-48-2051	A-41815-0201
6			09-48-4061	A-41815-0174	41815-0188	A-41815-0188	09-48-2061	A-41815-0202
7			09-48-4071	A-41815-0175	41815-0189	A-41815-0189	09-48-2071	A-41815-0203
8			09-48-4081	A-41815-0176	09-48-5080	A-41815-0190	09-48-2081	A-41815-0204
9			09-48-4091	A-41815-0177	41815-0191	A-41815-0191	09-48-2091	A-41815-0205
10			09-48-4101	A-41815-0178	09-48-5100	A-41815-0192	09-48-2101	A-41815-0206
11			09-48-4111	A-41815-0179	41815-0193	A-41815-0193	09-48-2111	A-41815-0207
12			09-48-4121	A-41815-0180	41815-0194	A-41815-0194	09-48-2121	A-41815-0208
13			09-48-4131	A-41815-0181	41815-0195	A-41815-0195	09-48-2131	A-41815-0209
14			09-48-4141	A-41815-0182	41815-0196	A-41815-0196	09-48-2141	A-41815-0210
15			09-48-4151	A-41815-0183	41815-0197	A-41815-0197	09-48-2151	A-41815-0211

<b>REV:</b>  <b>AN4</b>	<b>ECR/ECN INFORMATION:</b>		<b>TITLE:</b>  <b>KK 156 HOUSING ASSY PCB 41815 SERIES DWG</b>	<b>SHEET No.</b>
	EC NO.	<b>121254</b>		<b>- 4 -</b>
	DATE:	<b>8/30/2017</b>		
<b>DOCUMENT NUMBER:</b> <b>SDA-41815</b>		<b>CREATED / REVISED BY:</b> <b>SS06</b>	<b>CHECKED BY:</b> <b>SS06</b>	<b>APPROVED BY:</b> <b>ISHWARG</b>



# KK 156 PCB ASSY 2-15 CKT

## 41815 SERIES

	<table border="1" style="width: 100%; border-collapse: collapse;"> <tr><td>Assy. Proc:</td><td>RIGHT ANGLE</td></tr> <tr><td>Housing No:</td><td>41815-N-AN</td></tr> <tr><td>Options</td><td>WITH RAMP</td></tr> <tr><td>Terminal No:</td><td>2144-AA-A1AA-228B</td></tr> <tr><td>Term Matl:</td><td>BRASS</td></tr> <tr><td>Plating:</td><td>228 – GOLD</td></tr> <tr><td>Dim C:</td><td>(3.68) / .145</td></tr> <tr><td>Voids:</td><td>NONE</td></tr> <tr><td>Hooks Cut:</td><td>NO</td></tr> <tr><td>Packaging:</td><td>PK-41815-001 TRAY</td></tr> </table>	Assy. Proc:	RIGHT ANGLE	Housing No:	41815-N-AN	Options	WITH RAMP	Terminal No:	2144-AA-A1AA-228B	Term Matl:	BRASS	Plating:	228 – GOLD	Dim C:	(3.68) / .145	Voids:	NONE	Hooks Cut:	NO	Packaging:	PK-41815-001 TRAY	<table border="1" style="width: 100%; border-collapse: collapse;"> <tr><td>Assy. Proc:</td><td>BOTTOM ENTRY</td></tr> <tr><td>Housing No:</td><td>41815-N-DN</td></tr> <tr><td>Options</td><td>NO RAMPS</td></tr> <tr><td>Terminal No:</td><td>2188-P909</td></tr> <tr><td>Term Matl:</td><td>BRASS</td></tr> <tr><td>Plating:</td><td>P909 – TIN</td></tr> <tr><td>Dim C:</td><td>(4.06) / .160</td></tr> <tr><td>Voids:</td><td>NONE</td></tr> <tr><td>Hooks Cut:</td><td>YES</td></tr> <tr><td>Packaging:</td><td>PK-41815-001 TRAY</td></tr> </table>	Assy. Proc:	BOTTOM ENTRY	Housing No:	41815-N-DN	Options	NO RAMPS	Terminal No:	2188-P909	Term Matl:	BRASS	Plating:	P909 – TIN	Dim C:	(4.06) / .160	Voids:	NONE	Hooks Cut:	YES	Packaging:	PK-41815-001 TRAY	<table border="1" style="width: 100%; border-collapse: collapse;"> <tr><td>Assy. Proc:</td><td>TOP ENTRY</td></tr> <tr><td>Housing No:</td><td>41815-N-DN</td></tr> <tr><td>Options</td><td>NO RAMPS</td></tr> <tr><td>Terminal No:</td><td>2144-AA-A1AA-P909B</td></tr> <tr><td>Term Matl:</td><td>BRASS</td></tr> <tr><td>Plating:</td><td>P909 – TIN</td></tr> <tr><td>Dim C:</td><td>(3.05) / .120</td></tr> <tr><td>Voids:</td><td>NONE</td></tr> <tr><td>Hooks Cut:</td><td>NO</td></tr> <tr><td>Packaging:</td><td>PK-41815-001 TRAY</td></tr> </table>	Assy. Proc:	TOP ENTRY	Housing No:	41815-N-DN	Options	NO RAMPS	Terminal No:	2144-AA-A1AA-P909B	Term Matl:	BRASS	Plating:	P909 – TIN	Dim C:	(3.05) / .120	Voids:	NONE	Hooks Cut:	NO	Packaging:	PK-41815-001 TRAY
Assy. Proc:	RIGHT ANGLE																																																														
Housing No:	41815-N-AN																																																														
Options	WITH RAMP																																																														
Terminal No:	2144-AA-A1AA-228B																																																														
Term Matl:	BRASS																																																														
Plating:	228 – GOLD																																																														
Dim C:	(3.68) / .145																																																														
Voids:	NONE																																																														
Hooks Cut:	NO																																																														
Packaging:	PK-41815-001 TRAY																																																														
Assy. Proc:	BOTTOM ENTRY																																																														
Housing No:	41815-N-DN																																																														
Options	NO RAMPS																																																														
Terminal No:	2188-P909																																																														
Term Matl:	BRASS																																																														
Plating:	P909 – TIN																																																														
Dim C:	(4.06) / .160																																																														
Voids:	NONE																																																														
Hooks Cut:	YES																																																														
Packaging:	PK-41815-001 TRAY																																																														
Assy. Proc:	TOP ENTRY																																																														
Housing No:	41815-N-DN																																																														
Options	NO RAMPS																																																														
Terminal No:	2144-AA-A1AA-P909B																																																														
Term Matl:	BRASS																																																														
Plating:	P909 – TIN																																																														
Dim C:	(3.05) / .120																																																														
Voids:	NONE																																																														
Hooks Cut:	NO																																																														
Packaging:	PK-41815-001 TRAY																																																														
Ckts	Material No	Engineer Number	Material No	Engineer Number	Material No	Engineer Number	Material No	Engineer Number																																																							
2	09-48-5023	A-41815-0313	41815-0327	A-41815-0327			41815-0355	A-41815-0355																																																							
3	09-48-5033	A-41815-0314	41815-0328	A-41815-0328			41815-0356	A-41815-0356																																																							
4	09-48-5043	A-41815-0315	41815-0329	A-41815-0329			09-48-2047	A-41815-0357																																																							
5	09-48-5053	A-41815-0316	09-48-2056	A-41815-0330			41815-0358	A-41815-0358																																																							
6	09-48-5063	A-41815-0317	41815-0331	A-41815-0331			41815-0359	A-41815-0359																																																							
7	09-48-5073	A-41815-0318	41815-0332	A-41815-0332			41815-0360	A-41815-0360																																																							
8	09-48-5083	A-41815-0319	09-48-2086	A-41815-0333			41815-0361	A-41815-0361																																																							
9	09-48-5093	A-41815-0320	41815-0334	A-41815-0334			41815-0362	A-41815-0362																																																							
10	09-48-5103	A-41815-0321	09-48-2106	A-41815-0335			09-48-2107	A-41815-0363																																																							
11	09-48-5113	A-41815-0322	41815-0336	A-41815-0336			41815-0364	A-41815-0364																																																							
12	09-48-5123	A-41815-0323	41815-0337	A-41815-0337			41815-0365	A-41815-0365																																																							
13	09-48-5133	A-41815-0324	41815-0338	A-41815-0338			41815-0366	A-41815-0366																																																							
14	09-48-5143	A-41815-0325	41815-0339	A-41815-0339			41815-0367	A-41815-0367																																																							
15	09-48-5153	A-41815-0326	41815-0340	A-41815-0340			41815-0368	A-41815-0368																																																							

<b>REV:</b>	<b>ECR/ECN INFORMATION:</b>			<b>TITLE:</b>				<b>SHEET No.</b>	
<b>AN4</b>	EC NO.	121254		<h1 style="margin: 0;">KK 156 HOUSING ASSY PCB</h1> <h2 style="margin: 0;">41815 SERIES DWG</h2>				<b>- 5 -</b>	
	DATE:	8/30/2017							
<b>DOCUMENT NUMBER:</b>				<b>CREATED / REVISED BY:</b>		<b>CHECKED BY:</b>		<b>APPROVED BY:</b>	
<b>SDA-41815</b>				<b>SS06</b>		<b>SS06</b>		<b>ISHWARG</b>	



# KK 156 PCB ASSY 2-15 CKT

## 41815 SERIES

	<table border="1" style="width: 100%; border-collapse: collapse;"> <tr><td>Assy. Proc:</td><td>RIGHT ANGLE</td></tr> <tr><td>Housing No:</td><td>41815-N-AN</td></tr> <tr><td>Options</td><td>WITH RAMP</td></tr> <tr><td>Terminal No:</td><td>4244-A-197A</td></tr> <tr><td>Term Matl:</td><td>PHOS BRONZE</td></tr> <tr><td>Plating:</td><td>197 – TIN</td></tr> <tr><td>Dim C:</td><td>(3.68) / .145</td></tr> <tr><td>Voids:</td><td>NONE</td></tr> <tr><td>Hooks Cut:</td><td>NO</td></tr> <tr><td>Packaging:</td><td>PK-41815-001 TRAY</td></tr> <tr><td> </td><td> </td></tr> <tr><td>Material No</td><td>Engineer Number</td></tr> <tr><td>09-48-1023</td><td>A-41815-0369</td></tr> <tr><td>09-48-1033</td><td>A-41815-0370</td></tr> <tr><td>09-48-1043</td><td>A-41815-0371</td></tr> <tr><td>09-48-1053</td><td>A-41815-0372</td></tr> <tr><td>09-48-1063</td><td>A-41815-0373</td></tr> <tr><td>09-48-1073</td><td>A-41815-0374</td></tr> <tr><td>09-48-1083</td><td>A-41815-0375</td></tr> <tr><td>09-48-1093</td><td>A-41815-0376</td></tr> <tr><td>09-48-1103</td><td>A-41815-0377</td></tr> <tr><td>09-48-1113</td><td>A-41815-0378</td></tr> <tr><td>09-48-1123</td><td>A-41815-0379</td></tr> <tr><td>09-48-1133</td><td>A-41815-0380</td></tr> <tr><td>09-48-1143</td><td>A-41815-0381</td></tr> <tr><td>09-48-1153</td><td>A-41815-0382</td></tr> </table>	Assy. Proc:	RIGHT ANGLE	Housing No:	41815-N-AN	Options	WITH RAMP	Terminal No:	4244-A-197A	Term Matl:	PHOS BRONZE	Plating:	197 – TIN	Dim C:	(3.68) / .145	Voids:	NONE	Hooks Cut:	NO	Packaging:	PK-41815-001 TRAY			Material No	Engineer Number	09-48-1023	A-41815-0369	09-48-1033	A-41815-0370	09-48-1043	A-41815-0371	09-48-1053	A-41815-0372	09-48-1063	A-41815-0373	09-48-1073	A-41815-0374	09-48-1083	A-41815-0375	09-48-1093	A-41815-0376	09-48-1103	A-41815-0377	09-48-1113	A-41815-0378	09-48-1123	A-41815-0379	09-48-1133	A-41815-0380	09-48-1143	A-41815-0381	09-48-1153	A-41815-0382	<table border="1" style="width: 100%; border-collapse: collapse;"> <tr><td>Assy. Proc:</td><td> </td></tr> <tr><td>Housing No:</td><td> </td></tr> <tr><td>Options</td><td> </td></tr> <tr><td>Terminal No:</td><td> </td></tr> <tr><td>Term Matl:</td><td> </td></tr> <tr><td>Plating:</td><td> </td></tr> <tr><td>Dim C:</td><td> </td></tr> <tr><td>Voids:</td><td> </td></tr> <tr><td>Hooks Cut:</td><td> </td></tr> <tr><td>Packaging:</td><td> </td></tr> <tr><td> </td><td> </td></tr> <tr><td>Material No</td><td>Engineer Number</td></tr> <tr><td> </td><td> </td></tr> <tr><td> </td><td> </td></tr> <tr><td> </td><td> </td></tr> <tr><td> </td><td> </td></tr> <tr><td> </td><td> </td></tr> <tr><td> </td><td> </td></tr> <tr><td> </td><td> </td></tr> <tr><td> </td><td> </td></tr> <tr><td> </td><td> </td></tr> <tr><td> </td><td> </td></tr> <tr><td> </td><td> </td></tr> <tr><td> </td><td> </td></tr> <tr><td> </td><td> </td></tr> <tr><td> </td><td> </td></tr> <tr><td> </td><td> </td></tr> <tr><td> </td><td> </td></tr> <tr><td> </td><td> </td></tr> <tr><td> </td><td> </td></tr> <tr><td> </td><td> </td></tr> <tr><td> </td><td> </td></tr> <tr><td> </td><td> </td></tr> <tr><td> </td><td> </td></tr> <tr><td> </td><td> </td></tr> </table>	Assy. Proc:		Housing No:		Options		Terminal No:		Term Matl:		Plating:		Dim C:		Voids:		Hooks Cut:		Packaging:				Material No	Engineer Number																																															<table border="1" style="width: 100%; border-collapse: collapse;"> <tr><td>Assy. Proc:</td><td>RIGHT ANGLE</td></tr> <tr><td>Housing No:</td><td>41815-N-AN</td></tr> <tr><td>Options</td><td>WITH RAMP</td></tr> <tr><td>Terminal No:</td><td>2144-AA-A1AA-208B</td></tr> <tr><td>Term Matl:</td><td>BRASS</td></tr> <tr><td>Plating:</td><td>208 – 15 GOLD</td></tr> <tr><td>Dim C:</td><td>(3.68) / .145</td></tr> <tr><td>Voids:</td><td>NONE</td></tr> <tr><td>Hooks Cut:</td><td>NO</td></tr> <tr><td>Packaging:</td><td>PK-41815-001 TRAY</td></tr> <tr><td> </td><td> </td></tr> <tr><td>Material No</td><td>Engineer Number</td></tr> <tr><td>09-48-3025</td><td>A-41815-0425</td></tr> <tr><td>09-48-3035</td><td>A-41815-0426</td></tr> <tr><td>09-48-3045</td><td>A-41815-0427</td></tr> <tr><td>09-48-3055</td><td>A-41815-0428</td></tr> <tr><td>09-48-3065</td><td>A-41815-0429</td></tr> <tr><td>09-48-3075</td><td>A-41815-0430</td></tr> <tr><td>09-48-3085</td><td>A-41815-0431</td></tr> <tr><td>09-48-3095</td><td>A-41815-0432</td></tr> <tr><td>09-48-3105</td><td>A-41815-0433</td></tr> <tr><td>09-48-3115</td><td>A-41815-0434</td></tr> <tr><td>09-48-3125</td><td>A-41815-0435</td></tr> <tr><td>09-48-3135</td><td>A-41815-0436</td></tr> <tr><td>09-48-3145</td><td>A-41815-0437</td></tr> <tr><td>09-48-3155</td><td>A-41815-0438</td></tr> </table>	Assy. Proc:	RIGHT ANGLE	Housing No:	41815-N-AN	Options	WITH RAMP	Terminal No:	2144-AA-A1AA-208B	Term Matl:	BRASS	Plating:	208 – 15 GOLD	Dim C:	(3.68) / .145	Voids:	NONE	Hooks Cut:	NO	Packaging:	PK-41815-001 TRAY			Material No	Engineer Number	09-48-3025	A-41815-0425	09-48-3035	A-41815-0426	09-48-3045	A-41815-0427	09-48-3055	A-41815-0428	09-48-3065	A-41815-0429	09-48-3075	A-41815-0430	09-48-3085	A-41815-0431	09-48-3095	A-41815-0432	09-48-3105	A-41815-0433	09-48-3115	A-41815-0434	09-48-3125	A-41815-0435	09-48-3135	A-41815-0436	09-48-3145	A-41815-0437	09-48-3155	A-41815-0438	<table border="1" style="width: 100%; border-collapse: collapse;"> <tr><td>Assy. Proc:</td><td>BOTTOM ENTRY</td></tr> <tr><td>Housing No:</td><td>41815-N-AN</td></tr> <tr><td>Options</td><td>WITH RAMP</td></tr> <tr><td>Terminal No:</td><td>2188-1-208</td></tr> <tr><td>Term Matl:</td><td>BRASS</td></tr> <tr><td>Plating:</td><td>208 – 15 GOLD</td></tr> <tr><td>Dim C:</td><td>(3.18) / .125</td></tr> <tr><td>Voids:</td><td>NONE</td></tr> <tr><td>Hooks Cut:</td><td>NO</td></tr> <tr><td>Packaging:</td><td>PK-41815-001 TRAY</td></tr> <tr><td> </td><td> </td></tr> <tr><td>Material No</td><td>Engineer Number</td></tr> <tr><td>09-48-3024</td><td>A-41815-0439</td></tr> <tr><td>09-48-3034</td><td>A-41815-0440</td></tr> <tr><td>09-48-3044</td><td>A-41815-0441</td></tr> <tr><td>09-48-3054</td><td>A-41815-0442</td></tr> <tr><td>09-48-3064</td><td>A-41815-0443</td></tr> <tr><td>09-48-3074</td><td>A-41815-0444</td></tr> <tr><td>09-48-3084</td><td>A-41815-0445</td></tr> <tr><td>09-48-3094</td><td>A-41815-0446</td></tr> <tr><td>09-48-3104</td><td>A-41815-0447</td></tr> <tr><td>09-48-3114</td><td>A-41815-0448</td></tr> <tr><td>09-48-3124</td><td>A-41815-0449</td></tr> <tr><td>09-48-3134</td><td>A-41815-0450</td></tr> <tr><td>09-48-3144</td><td>A-41815-0451</td></tr> <tr><td>09-48-3154</td><td>A-41815-0452</td></tr> </table>	Assy. Proc:	BOTTOM ENTRY	Housing No:	41815-N-AN	Options	WITH RAMP	Terminal No:	2188-1-208	Term Matl:	BRASS	Plating:	208 – 15 GOLD	Dim C:	(3.18) / .125	Voids:	NONE	Hooks Cut:	NO	Packaging:	PK-41815-001 TRAY			Material No	Engineer Number	09-48-3024	A-41815-0439	09-48-3034	A-41815-0440	09-48-3044	A-41815-0441	09-48-3054	A-41815-0442	09-48-3064	A-41815-0443	09-48-3074	A-41815-0444	09-48-3084	A-41815-0445	09-48-3094	A-41815-0446	09-48-3104	A-41815-0447	09-48-3114	A-41815-0448	09-48-3124	A-41815-0449	09-48-3134	A-41815-0450	09-48-3144	A-41815-0451	09-48-3154	A-41815-0452
Assy. Proc:	RIGHT ANGLE																																																																																																																																																																																																																																					
Housing No:	41815-N-AN																																																																																																																																																																																																																																					
Options	WITH RAMP																																																																																																																																																																																																																																					
Terminal No:	4244-A-197A																																																																																																																																																																																																																																					
Term Matl:	PHOS BRONZE																																																																																																																																																																																																																																					
Plating:	197 – TIN																																																																																																																																																																																																																																					
Dim C:	(3.68) / .145																																																																																																																																																																																																																																					
Voids:	NONE																																																																																																																																																																																																																																					
Hooks Cut:	NO																																																																																																																																																																																																																																					
Packaging:	PK-41815-001 TRAY																																																																																																																																																																																																																																					
Material No	Engineer Number																																																																																																																																																																																																																																					
09-48-1023	A-41815-0369																																																																																																																																																																																																																																					
09-48-1033	A-41815-0370																																																																																																																																																																																																																																					
09-48-1043	A-41815-0371																																																																																																																																																																																																																																					
09-48-1053	A-41815-0372																																																																																																																																																																																																																																					
09-48-1063	A-41815-0373																																																																																																																																																																																																																																					
09-48-1073	A-41815-0374																																																																																																																																																																																																																																					
09-48-1083	A-41815-0375																																																																																																																																																																																																																																					
09-48-1093	A-41815-0376																																																																																																																																																																																																																																					
09-48-1103	A-41815-0377																																																																																																																																																																																																																																					
09-48-1113	A-41815-0378																																																																																																																																																																																																																																					
09-48-1123	A-41815-0379																																																																																																																																																																																																																																					
09-48-1133	A-41815-0380																																																																																																																																																																																																																																					
09-48-1143	A-41815-0381																																																																																																																																																																																																																																					
09-48-1153	A-41815-0382																																																																																																																																																																																																																																					
Assy. Proc:																																																																																																																																																																																																																																						
Housing No:																																																																																																																																																																																																																																						
Options																																																																																																																																																																																																																																						
Terminal No:																																																																																																																																																																																																																																						
Term Matl:																																																																																																																																																																																																																																						
Plating:																																																																																																																																																																																																																																						
Dim C:																																																																																																																																																																																																																																						
Voids:																																																																																																																																																																																																																																						
Hooks Cut:																																																																																																																																																																																																																																						
Packaging:																																																																																																																																																																																																																																						
Material No	Engineer Number																																																																																																																																																																																																																																					
Assy. Proc:	RIGHT ANGLE																																																																																																																																																																																																																																					
Housing No:	41815-N-AN																																																																																																																																																																																																																																					
Options	WITH RAMP																																																																																																																																																																																																																																					
Terminal No:	2144-AA-A1AA-208B																																																																																																																																																																																																																																					
Term Matl:	BRASS																																																																																																																																																																																																																																					
Plating:	208 – 15 GOLD																																																																																																																																																																																																																																					
Dim C:	(3.68) / .145																																																																																																																																																																																																																																					
Voids:	NONE																																																																																																																																																																																																																																					
Hooks Cut:	NO																																																																																																																																																																																																																																					
Packaging:	PK-41815-001 TRAY																																																																																																																																																																																																																																					
Material No	Engineer Number																																																																																																																																																																																																																																					
09-48-3025	A-41815-0425																																																																																																																																																																																																																																					
09-48-3035	A-41815-0426																																																																																																																																																																																																																																					
09-48-3045	A-41815-0427																																																																																																																																																																																																																																					
09-48-3055	A-41815-0428																																																																																																																																																																																																																																					
09-48-3065	A-41815-0429																																																																																																																																																																																																																																					
09-48-3075	A-41815-0430																																																																																																																																																																																																																																					
09-48-3085	A-41815-0431																																																																																																																																																																																																																																					
09-48-3095	A-41815-0432																																																																																																																																																																																																																																					
09-48-3105	A-41815-0433																																																																																																																																																																																																																																					
09-48-3115	A-41815-0434																																																																																																																																																																																																																																					
09-48-3125	A-41815-0435																																																																																																																																																																																																																																					
09-48-3135	A-41815-0436																																																																																																																																																																																																																																					
09-48-3145	A-41815-0437																																																																																																																																																																																																																																					
09-48-3155	A-41815-0438																																																																																																																																																																																																																																					
Assy. Proc:	BOTTOM ENTRY																																																																																																																																																																																																																																					
Housing No:	41815-N-AN																																																																																																																																																																																																																																					
Options	WITH RAMP																																																																																																																																																																																																																																					
Terminal No:	2188-1-208																																																																																																																																																																																																																																					
Term Matl:	BRASS																																																																																																																																																																																																																																					
Plating:	208 – 15 GOLD																																																																																																																																																																																																																																					
Dim C:	(3.18) / .125																																																																																																																																																																																																																																					
Voids:	NONE																																																																																																																																																																																																																																					
Hooks Cut:	NO																																																																																																																																																																																																																																					
Packaging:	PK-41815-001 TRAY																																																																																																																																																																																																																																					
Material No	Engineer Number																																																																																																																																																																																																																																					
09-48-3024	A-41815-0439																																																																																																																																																																																																																																					
09-48-3034	A-41815-0440																																																																																																																																																																																																																																					
09-48-3044	A-41815-0441																																																																																																																																																																																																																																					
09-48-3054	A-41815-0442																																																																																																																																																																																																																																					
09-48-3064	A-41815-0443																																																																																																																																																																																																																																					
09-48-3074	A-41815-0444																																																																																																																																																																																																																																					
09-48-3084	A-41815-0445																																																																																																																																																																																																																																					
09-48-3094	A-41815-0446																																																																																																																																																																																																																																					
09-48-3104	A-41815-0447																																																																																																																																																																																																																																					
09-48-3114	A-41815-0448																																																																																																																																																																																																																																					
09-48-3124	A-41815-0449																																																																																																																																																																																																																																					
09-48-3134	A-41815-0450																																																																																																																																																																																																																																					
09-48-3144	A-41815-0451																																																																																																																																																																																																																																					
09-48-3154	A-41815-0452																																																																																																																																																																																																																																					
Ckts																																																																																																																																																																																																																																						
2																																																																																																																																																																																																																																						
3																																																																																																																																																																																																																																						
4																																																																																																																																																																																																																																						
5																																																																																																																																																																																																																																						
6																																																																																																																																																																																																																																						
7																																																																																																																																																																																																																																						
8																																																																																																																																																																																																																																						
9																																																																																																																																																																																																																																						
10																																																																																																																																																																																																																																						
11																																																																																																																																																																																																																																						
12																																																																																																																																																																																																																																						
13																																																																																																																																																																																																																																						
14																																																																																																																																																																																																																																						
15																																																																																																																																																																																																																																						

REV:	<u>ECR/ECN INFORMATION:</u>	<u>TITLE:</u>	<u>SHEET No.</u>
AN4	EC NO.     121254	KK 156 HOUSING ASSY PCB 41815 SERIES DWG	- 6 -
	DATE:     8/30/2017		
<u>DOCUMENT NUMBER:</u>	<u>CREATED / REVISED BY:</u>	<u>CHECKED BY:</u>	<u>APPROVED BY:</u>
SDA-41815	SS06	SS06	ISHWARG



# KK 156 PCB ASSY 2-15 CKT

## 41815 SERIES

Assy. Proc:	TOP ENTRY
Housing No:	41815-N-AN
Options	WITH RAMP
Terminal No:	2144-AA-A1AA-P909B
Term Matl:	BRASS
Plating:	P909 – TIN
Dim C:	(3.05) / .120
Voids:	NONE
Hooks Cut:	NO
Packaging:	PK-41815-001 TRAY

Assy. Proc:	TOP ENTRY
Housing No:	41815-N-AN
Options	WITH RAMP
Terminal No:	2144-AA-A1AA-208B
Term Matl:	BRASS
Plating:	208 – 15 GOLD
Dim C:	(3.05) / .120
Voids:	NONE
Hooks Cut:	NO
Packaging:	PK-41815-001 TRAY

Assy. Proc:	RIGHT ANGLE
Housing No:	41815-N-AN
Options	WITH RAMP
Terminal No:	2144-BA-A1AA-P909B
Term Matl:	PHOS BRONZE
Plating:	P909 – TIN
Dim C:	(3.68) / .145
Voids:	NONE
Hooks Cut:	NO
Packaging:	PK-41815-001 TRAY

Assy. Proc:	BOTTOM ENTRY
Housing No:	41815-N-AN
Options	WITH RAMP
Terminal No:	6298-1-P909
Term Matl:	PHOS BRONZE
Plating:	P909 – TIN
Dim C:	(3.18) / .125
Voids:	NONE
Hooks Cut:	NO
Packaging:	PK-41815-001 TRAY

Ckts	Material No	Engineer Number
2	09-48-2023	A-41815-0453
3	09-48-2033	A-41815-0454
4	09-48-2043	A-41815-0455
5	09-48-2053	A-41815-0456
6	09-48-2063	A-41815-0457
7	09-48-2073	A-41815-0458
8	09-48-2083	A-41815-0459
9	09-48-2093	A-41815-0460
10	09-48-2103	A-41815-0461
11	09-48-2113	A-41815-0462
12	09-48-2123	A-41815-0463
13	09-48-2133	A-41815-0464
14	09-48-2143	A-41815-0465
15	09-48-2153	A-41815-0466

Material No	Engineer Number
09-48-3026	A-41815-0467
09-48-3036	A-41815-0468
09-48-3046	A-41815-0469
09-48-3056	A-41815-0470
09-48-3066	A-41815-0471
09-48-3076	A-41815-0472
09-48-3086	A-41815-0473
09-48-3096	A-41815-0474
09-48-3106	A-41815-0475
09-48-3116	A-41815-0476
09-48-3126	A-41815-0477
09-48-3136	A-41815-0478
09-48-3146	A-41815-0479
09-48-3156	A-41815-0480

Material No	Engineer Number
09-48-2020	A-41815-0481
09-48-2030	A-41815-0482
09-48-2040	A-41815-0483
09-48-2050	A-41815-0484
09-48-2060	A-41815-0485
09-48-2070	A-41815-0486
09-48-2080	A-41815-0487
09-48-2090	A-41815-0488
09-48-2100	A-41815-0489
09-48-2110	A-41815-0490
09-48-2120	A-41815-0491
09-48-2130	A-41815-0492
09-48-2140	A-41815-0493
09-48-2150	A-41815-0494

Material No	Engineer Number
09-48-2029	A-41815-0495
09-48-2039	A-41815-0496
09-48-2049	A-41815-0497
09-48-2059	A-41815-0498
09-48-2069	A-41815-0499
09-48-2079	A-41815-0500
09-48-2089	A-41815-0501
09-48-2099	A-41815-0502
09-48-2109	A-41815-0503
09-48-2119	A-41815-0504
09-48-2129	A-41815-0505
09-48-2139	A-41815-0506
09-48-2149	A-41815-0507
09-48-2159	A-41815-0508

<b>REV:</b>  <b>AN4</b>	<b>ECR/ECN INFORMATION:</b>		<b>TITLE:</b>  <b>KK 156 HOUSING ASSY PCB 41815 SERIES DWG</b>	<u>SHEET No.</u>
	EC NO.	<b>121254</b>		<b>- 7 -</b>
	DATE:	<b>8/30/2017</b>		
<b>DOCUMENT NUMBER:</b> <b>SDA-41815</b>		<u>CREATED / REVISED BY:</u> <b>SS06</b>	<u>CHECKED BY:</u> <b>SS06</b>	<u>APPROVED BY:</u> <b>ISHWARG</b>



# KK 156 PCB ASSY 2-15 CKT

## 41815 SERIES

Assy. Proc:	TOP ENTRY
Housing No:	41815-N-AN
Options	WITH RAMP
Terminal No:	2144-BA-A1AA-P909B
Term Matl:	PHOS BRONZE
Plating:	P909 – TIN
Dim C:	(3.05) / .120
Voids:	NONE
Hooks Cut:	NO
Packaging:	PK-41815-001 TRAY

Assy. Proc:	TOP ENTRY
Housing No:	41815-N-AN
Options	WITH RAMP
Terminal No:	2144-BA-A1AA-197B
Term Matl:	PHOS BRONZE
Plating:	197 – TIN
Dim C:	(3.05) / .120
Voids:	NONE
Hooks Cut:	YES
Packaging:	PK-41815-001 TRAY

Assy. Proc:	TOP ENTRY
Housing No:	41815-N-AN
Options	WITH RAMP
Terminal No:	2144-BA-A1AA-208B
Term Matl:	PHOS BRONZE
Plating:	208 – 15 GOLD
Dim C:	(3.05) / .120
Voids:	NONE
Hooks Cut:	YES
Packaging:	PK-41815-001 TRAY

Assy. Proc:	BOTTOM ENTRY
Housing No:	41815-N-AN
Options	WITH RAMP
Terminal No:	2188-1-208
Term Matl:	BRASS
Plating:	208 – 15 GOLD
Dim C:	(3.18) / .125
Voids:	TERMINAL VOID 2
Hooks Cut:	NO
Packaging:	PK-41815-001 TRAY

Ckts	Material No	Engineer Number
2	09-48-2028	A-41815-0509
3	09-48-2038	A-41815-0510
4	09-48-2048	A-41815-0511
5	09-48-2058	A-41815-0512
6	09-48-2068	A-41815-0513
7	09-48-2078	A-41815-0514
8	09-48-2088	A-41815-0515
9	09-48-2098	A-41815-0516
10	09-48-2108	A-41815-0517
11	09-48-2118	A-41815-0518
12	09-48-2128	A-41815-0519
13	09-48-2138	A-41815-0520
14	09-48-2148	A-41815-0521
15	09-48-2158	A-41815-0522

Material No	Engineer Number
09-48-5028	A-41815-0523
09-48-5038	A-41815-0524
09-48-5048	A-41815-0525
09-48-5058	A-41815-0526
09-48-5068	A-41815-0527
09-48-5078	A-41815-0528
09-48-5088	A-41815-0529
09-48-5098	A-41815-0530
09-48-5108	A-41815-0531
09-48-5118	A-41815-0532
09-48-5128	A-41815-0533
09-48-5138	A-41815-0534
09-48-5148	A-41815-0535
09-48-5158	A-41815-0536

Material No	Engineer Number
09-48-1025	A-41815-0537
09-48-1035	A-41815-0538
09-48-1045	A-41815-0539
09-48-1055	A-41815-0540
09-48-1065	A-41815-0541
09-48-1075	A-41815-0542
09-48-1085	A-41815-0543
09-48-1095	A-41815-0544
09-48-1105	A-41815-0545
09-48-1115	A-41815-0546
09-48-1125	A-41815-0547
09-48-1135	A-41815-0548
09-48-1145	A-41815-0549
09-48-1155	A-41815-0550

Material No	Engineer Number
41815-0551	41815-0551
41815-0552	41815-0552
41815-0553	41815-0553
41815-0554	41815-0554
41815-0555	41815-0555
41815-0556	41815-0556
41815-0557	41815-0557
41815-0558	41815-0558
41815-0559	41815-0559
41815-0560	41815-0560
41815-0561	41815-0561
41815-0562	41815-0562
41815-0563	41815-0563

<b>REV:</b>  <b>AN4</b>	<b>ECR/ECN INFORMATION:</b>		<b>TITLE:</b>  <b>KK 156 HOUSING ASSY PCB</b> <b>41815 SERIES DWG</b>	<u>SHEET No.</u>
	EC NO.	<b>121254</b>		<b>- 8 -</b>
	DATE:	<b>8/30/2017</b>		
<b>DOCUMENT NUMBER:</b> <b>SDA-41815</b>		<u>CREATED / REVISED BY:</u> <b>SS06</b>	<u>CHECKED BY:</u> <b>SS06</b>	<u>APPROVED BY:</u> <b>ISHWARG</b>





# KK 156 PCB ASSY 2-15 CKT

## 41815 SERIES

	Assy. Proc:	BOTTOM ENTRY	Assy. Proc:	BOTTOM ENTRY	Assy. Proc:	RIGHT ANGLE	Assy. Proc:	TOP ENTRY
	Housing No:	41815-N-DN	Housing No:	41815-N-DN	Housing No:	41815-N-A15-7	Housing No:	41815-N-DN
	Options	WITHOUT RAMPS	Options	WITHOUT RAMPS	Options	WITH RAMP	Options	WITHOUT RAMP
	Terminal No:	6298-1-197	Terminal No:	6298-1-197	Terminal No:	2144-BA-A1AA-197B	Terminal No:	2144-BA-A1AA-197B
	Term Matl:	PHOS BRONZE	Term Matl:	PHOS BRONZE	Term Matl:	PHOS BRONZE	Term Matl:	PHOS BRONZE
	Plating:	197 – TIN	Plating:	197 – TIN	Plating:	197 – TIN	Plating:	197 – TIN
	Dim C:	3.18 / .125	Dim C:	3.18 / .125	Dim C:	(3.68) / .145	Dim C:	(3.05)/.120
	Voids:	NONE	Voids:	TERMINAL VOID 2	Voids:	TERMINAL VOID 7	Voids:	NONE
	Hooks Cut:	NO	Hooks Cut:	NO	Hooks Cut:	NO	Hooks Cut:	YES
	Packaging:	PK-41815-001 TRAY	Packaging:	PK-41815-001 TRAY	Packaging:	PK-41815-001 TRAY	Packaging:	PK-41815-001 TRAY
Ckts	Material No	Engineer Number	Material No	Engineer Number	Material No	Engineer Number	Material No	Engineer Number
2	41815-0564	A-41815-0564					41815-0601	A-41815-0601
3	41815-0565	A-41815-0565	41815-0579	A-41815-0579			41815-0602	A-41815-0602
4	41815-0566	A-41815-0566	41815-0580	A-41815-0580				
5	41815-0567	A-41815-0567	41815-0581	A-41815-0581				
6	41815-0568	A-41815-0568	41815-0582	A-41815-0582			41815-0605	A-41815-0605
7	41815-0569	A-41815-0569	41815-0583	A-41815-0583				
8	41815-0570	A-41815-0570	41815-0584	A-41815-0584				
9	41815-0571	A-41815-0571	41815-0585	A-41815-0585				
10	41815-0572	A-41815-0572	41815-0586	A-41815-0586				
11	41815-0573	A-41815-0573	41815-0587	A-41815-0587				
12	41815-0574	A-41815-0574	41815-0588	A-41815-0588				
13	41815-0575	A-41815-0575	41815-0589	A-41815-0589				
14	41815-0576	A-41815-0576	41815-0590	A-41815-0590				
15	41815-0577	A-41815-0577	41815-0591	A-41815-0591	41815-0600	A-41815-0600		

<b>AN4</b>	<u>REV:</u>		<u>ECR/ECN INFORMATION:</u>		<b>KK 156 HOUSING ASSY PCB 41815 SERIES DWG</b>			<u>SHEET No.</u>
			<u>EC NO.</u>	<b>121254</b>				<b>- 9 -</b>
			<u>DATE:</u>	<b>8/30/2017</b>				
<u>DOCUMENT NUMBER:</u>			<u>CREATED / REVISED BY:</u>		<u>CHECKED BY:</u>		<u>APPROVED BY:</u>	
<b>SDA-41815</b>			<b>SS06</b>		<b>SS06</b>		<b>ISHWARG</b>	



# KK 156 PCB ASSY 2-15 CKT

## 41815 SERIES

	Assy. Proc:	RIGHT ANGLE	Assy. Proc:	TOP ENTRY	Assy. Proc:	RIGHT ANGLE	Assy. Proc:	BOTTOM ENTRY
	Housing No:	41815-N-DN	Housing No:	41815-N-DN	Housing No:	41815-N-AN	Housing No:	41815-N-DN
	Options	WITHOUT RAMP	Options	WITHOUT RAMP	Options	WITH RAMP	Options	WITHOUT RAMP
	Terminal No:	2144-BA-A1AA-197B	Terminal No:	2144-AA-A1AA-P909B	Terminal No:	2144-BA-A1AA-197B	Terminal No:	6298-197
	Term Matl:	PHOS BRONZE	Term Matl:	BRASS	Term Matl:	PHOS BRONZE	Term Matl:	PHOS BRONZE
	Plating:	197 – TIN	Plating:	P909 – TIN	Plating:	197 TIN	Plating:	197 – TIN
	Dim C:	(3.68) / .145	Dim C:	(3.05) / .120	Dim C:	(3.68) / .145	Dim C:	(4.06) / .160
	Voids:	NONE	Voids:	NONE	Voids:	TERMINAL VOID 2, 4	Voids:	NONE
	Hooks Cut:	NO	Hooks Cut:	YES	Hooks Cut:	NO	Hooks Cut:	YES
	Packaging:	PK-41815-001 TRAY	Packaging:	PK-41815-001 TRAY	Packaging:	PK-41815-001 TRAY	Packaging:	PK-41815-001 TRAY
Ckts	Material No	Engineer Number	Material No	Engineer Number	Material No	Engineer Number	Material No	Engineer Number
2	41815-0630	A-41815-0630					41815-0672	A-41815-0672
3	41815-0631	A-41815-0631						
4	41815-0632	A-41815-0632	41815-0646	A-41815-0646			41815-0674	A-41815-0674
5	41815-0633	A-41815-0633			41815-0661	A-41815-0661		
6	41815-0634	A-41815-0634						
7	41815-0635	A-41815-0635						
8	41815-0636	A-41815-0636						
9	41815-0637	A-41815-0637						
10	41815-0638	A-41815-0638						
11	41815-0639	A-41815-0639						
12	41815-0640	A-41815-0640						
13	41815-0641	A-41815-0641						
14	41815-0642	A-41815-0642						
15	41815-0643	A-41815-0643						

<b>REV:</b>	<b>ECR/ECN INFORMATION:</b>	<b>TITLE:</b>	<b>SHEET No.</b>
<b>AN4</b>	EC NO. <b>121254</b>	<b>KK 156 HOUSING ASSY PCB 41815 SERIES DWG</b>	<b>- 10 -</b>
	DATE: <b>8/30/2017</b>		
<b>DOCUMENT NUMBER:</b>	<b>CREATED / REVISED BY:</b>	<b>CHECKED BY:</b>	<b>APPROVED BY:</b>
<b>SDA-41815</b>	<b>SS06</b>	<b>SS06</b>	<b>ISHWARG</b>



# KK 156 PCB ASSY 2-15 CKT

## 41815 SERIES

	Assy. Proc:	RIGHT ANGLE	Assy. Proc:	Assy. Proc:	Assy. Proc:
	Housing No:	41815-N-AN	Housing No:	Housing No:	Housing No:
	Options	WITH RAMP	Options	Options	Options
	Terminal No:	2144-BA-A1AA-197B	Terminal No:	Terminal No:	Terminal No:
	Term Matl:	PHOS BRONZE	Term Matl:	Term Matl:	Term Matl:
	Plating:	197 TIN	Plating:	Plating:	Plating:
	Dim C:	(3.68) / .145	Dim C:	Dim C:	Dim C:
	Voids:	TERMINAL VOID 2	Voids:	Voids:	Voids:
	Hooks Cut:	NO	Hooks Cut:	Hooks Cut:	Hooks Cut:
	Packaging:	PK-41815-001 TRAY	Packaging:	Packaging:	Packaging:
Ckts	Material No	Engineer Number	Material No	Material No	Material No
2					
3	41815-0687	A-41815-0687			
4					
5					
6					
7					
8					
9					
10					
11					
12					
13					
14					
15					

<b>REV:</b>	<b>ECR/ECN INFORMATION:</b>	<b>TITLE:</b>	<b>SHEET No.</b>
<b>AN4</b>	EC NO. <b>121254</b>	<b>KK 156 HOUSING ASSY PCB 41815 SERIES DWG</b>	<b>- 11 -</b>
	DATE: <b>8/30/2017</b>		
<b>DOCUMENT NUMBER:</b>		<b>CREATED / REVISED BY:</b>	<b>CHECKED BY:</b>
<b>SDA-41815</b>		<b>SS06</b>	<b>SS06</b>
		<b>APPROVED BY:</b>	
		<b>ISHWARG</b>	

# Mouser Electronics

Authorized Distributor

Click to View Pricing, Inventory, Delivery & Lifecycle Information:

[Molex:](#)

[09-48-2115](#)