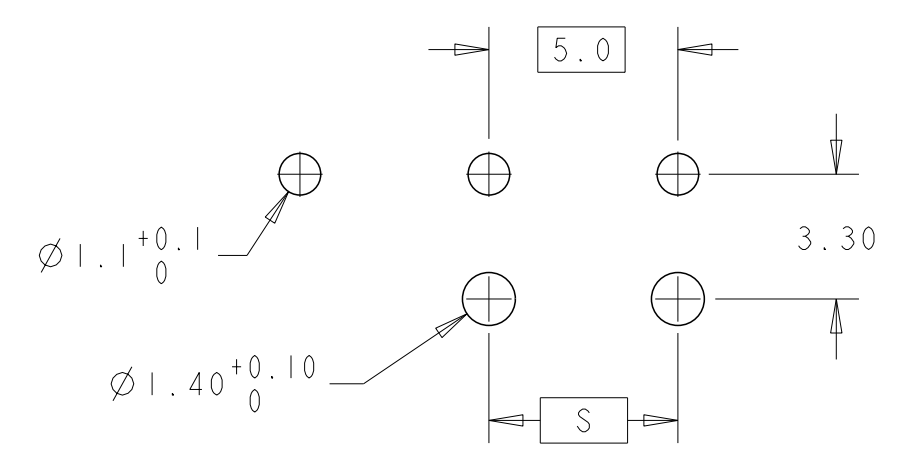
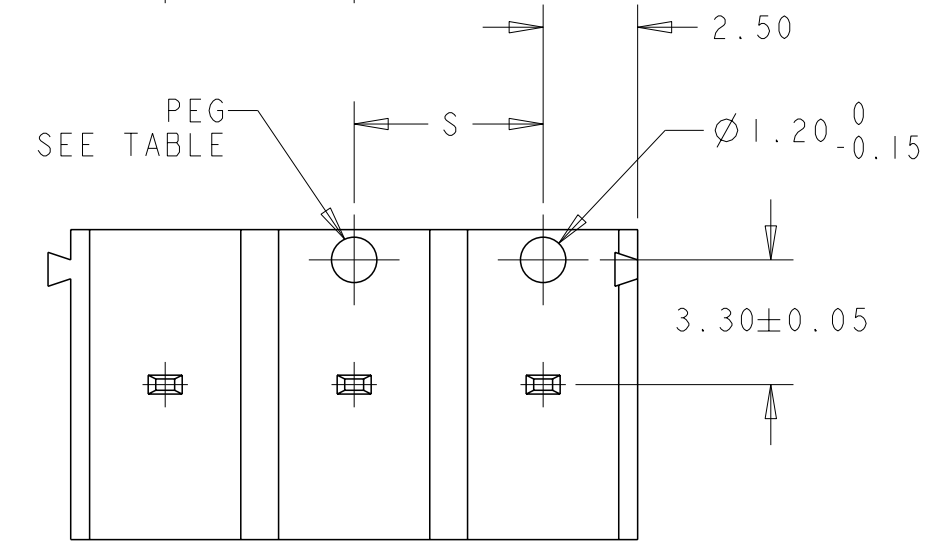
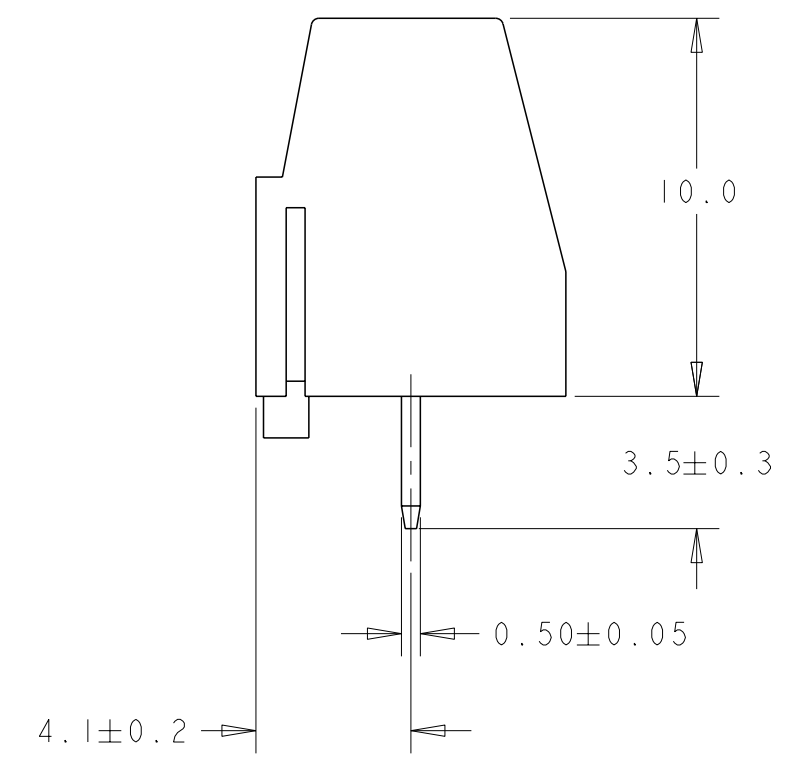
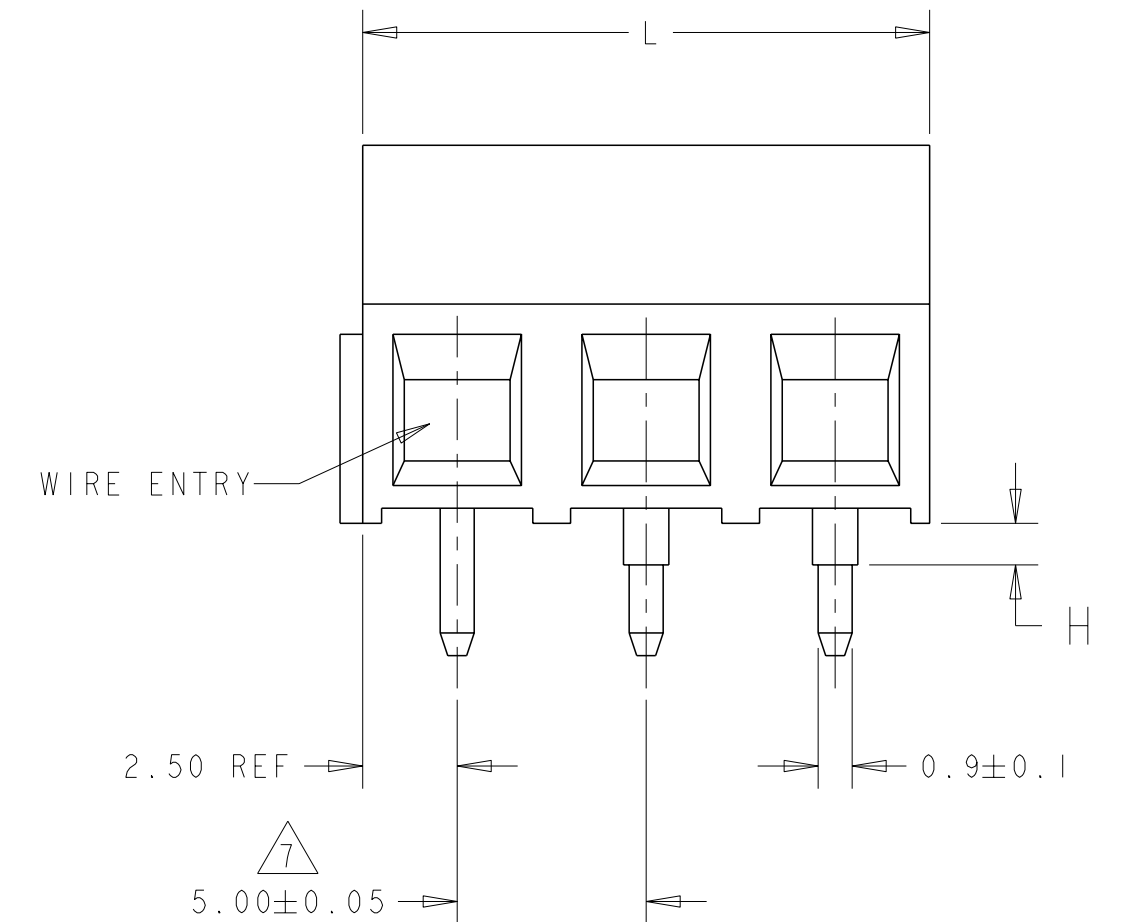
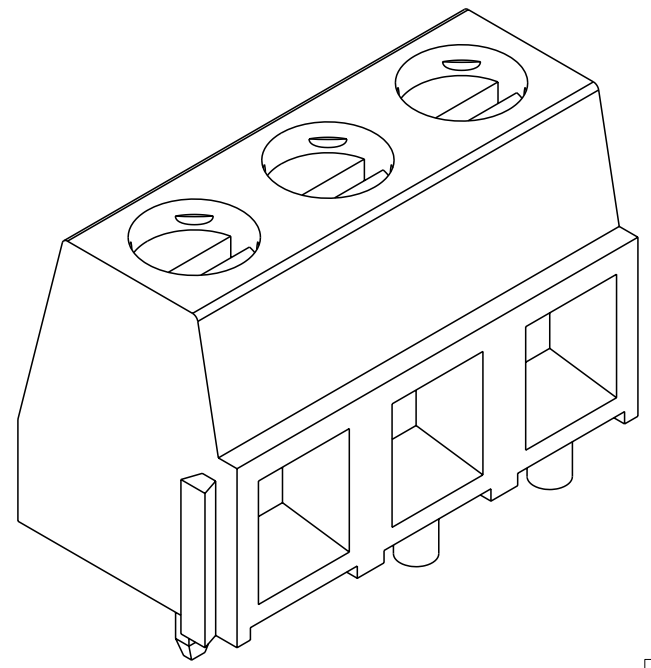
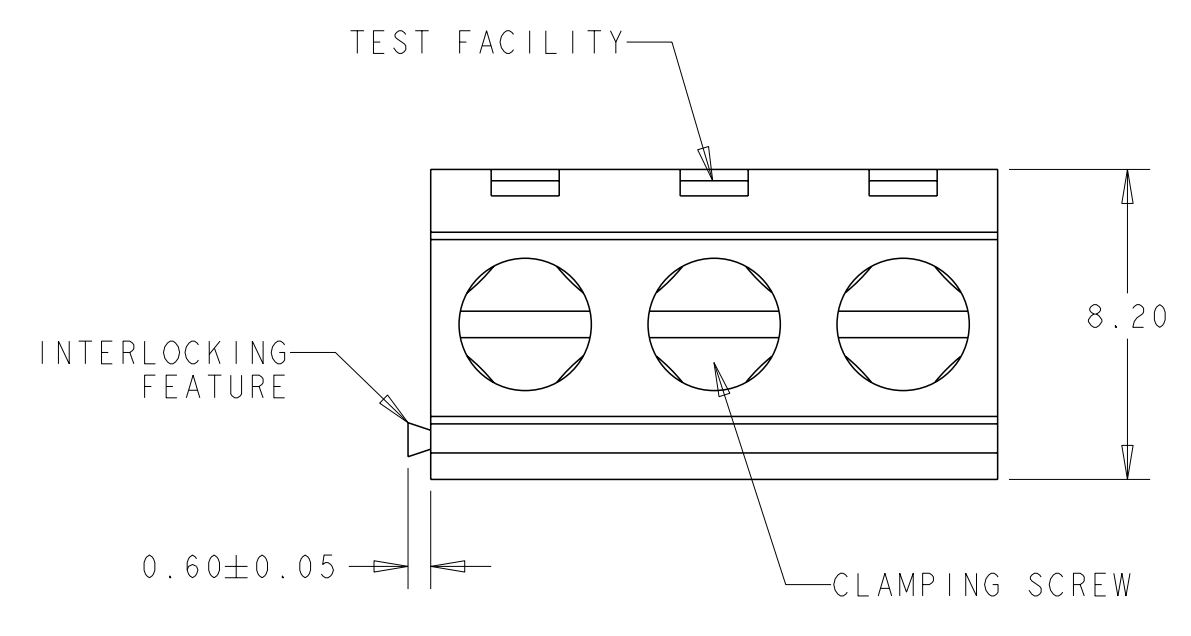


THIS DRAWING IS UNPUBLISHED. RELEASED FOR PUBLICATION 20
 © COPYRIGHT 20 BY - ALL RIGHTS RESERVED.

| REVISIONS | | | | | |
|-----------|-----|---------------------------------|-----------|-----|------|
| P | LTR | DESCRIPTION | DATE | DWN | APVD |
| J | | PKG IS CHANGED FROM BOX TO TRAY | 18JAN2018 | RK | PS |



RECOMMENDED PC BOARD LAYOUT

| | | | | | | |
|----------|-----|-----|-------------|-------|------------|-------------|
| - | - | - | SEE SHEET 2 | 10.0 | 2 | 3-1986874-2 |
| - | - | - | SEE SHEET 2 | 55.0 | 11 | 1-1986874-1 |
| - | - | - | SEE SHEET 2 | 10.0 | 2 | 1986874-2 |
| 1 | N/A | 3.5 | - | 35.0 | 7 | 3-282836-7 |
| 1 | N/A | 3.5 | SEE SHEET 2 | 15.0 | 3 | 3-282836-5 |
| 1 | N/A | 3.5 | - | 30.0 | 6 | 3-282836-4 |
| 1 | N/A | 3.5 | - | 25.0 | 5 | 3-282836-3 |
| 1 | N/A | 3.5 | - | 20.0 | 4 | 3-282836-2 |
| 1 | N/A | 3.5 | - | 10.0 | 2 | 3-282836-1 |
| 1 | N/A | 3.5 | - | 40.0 | 8 | 3-282836-0 |
| 1 | N/A | 3.5 | SEE SHEET 2 | 45.0 | 9 | 2-282836-8 |
| OBSOLETE | 0 | N/A | SEE SHEET 2 | 30.0 | 6 | 2-282836-7 |
| 0 | N/A | N/A | - | 125.0 | 25 | 2-282836-6 |
| OBSOLETE | 0 | N/A | - | 120.0 | 24 | 2-282836-5 |
| OBSOLETE | 0 | N/A | - | 115.0 | 23 | 2-282836-4 |
| OBSOLETE | 0 | N/A | - | 110.0 | 22 | 2-282836-3 |
| OBSOLETE | 0 | N/A | - | 105.0 | 21 | 2-282836-2 |
| OBSOLETE | 0 | N/A | - | 100.0 | 20 | 2-282836-1 |
| OBSOLETE | 0 | N/A | - | 95.0 | 19 | 2-282836-0 |
| OBSOLETE | 0 | N/A | - | 90.0 | 18 | 1-282836-9 |
| OBSOLETE | 0 | N/A | - | 85.0 | 17 | 1-282836-8 |
| OBSOLETE | 0 | N/A | - | 80.0 | 16 | 1-282836-7 |
| OBSOLETE | 0 | N/A | - | 75.0 | 15 | 1-282836-6 |
| OBSOLETE | 0 | N/A | - | 70.0 | 14 | 1-282836-5 |
| OBSOLETE | 0 | N/A | - | 65.0 | 13 | 1-282836-4 |
| 0 | N/A | N/A | SEE SHEET 2 | 10.0 | 2 | 1-282836-3 |
| 0 | N/A | N/A | - | 60.0 | 12 | 1-282836-2 |
| 0 | N/A | N/A | - | 55.0 | 11 | 1-282836-1 |
| 0 | N/A | N/A | - | 50.0 | 10 | 1-282836-0 |
| 0 | N/A | N/A | - | 45.0 | 9 | 282836-9 |
| 0 | N/A | N/A | - | 40.0 | 8 | 282836-8 |
| 0 | N/A | N/A | - | 35.0 | 7 | 282836-7 |
| 0 | N/A | N/A | - | 30.0 | 6 | 282836-6 |
| 0 | N/A | N/A | - | 25.0 | 5 | 282836-5 |
| 0 | N/A | N/A | - | 20.0 | 4 | 282836-4 |
| 0 | N/A | N/A | - | 15.0 | 3 | 282836-3 |
| 0 | N/A | N/A | - | 10.0 | 2 | 282836-2 |
| 2 | 5.0 | 1.1 | - | 10.0 | 2 | 282836-1 |
| QTY | S | H | MARKING | L | NO OF POSN | PART NUMBER |
| | PEG | | 8 | | | |

THIS DRAWING IS A CONTROLLED DOCUMENT.

DWN: S. WELDON 28SEP2007
 CHK: C. RICHARD 28SEP2007
 APVD: C. RICHARD 28SEP2007

TE Connectivity

NAME: TERMINAL BLOCK, PCB MOUNT, SIDE WIRE ENTRY, STACKING WITH INTERLOCK, 5.00mm PITCH

SIZE: A2 CAGE CODE: 00779 DRAWING NO: C-282836

SCALE: 3:1 SHEET: 1 OF 3 REV: J

PRODUCT SPEC: - APPLICATION SPEC: - WEIGHT: - MATERIAL: 1 FINISH: 1

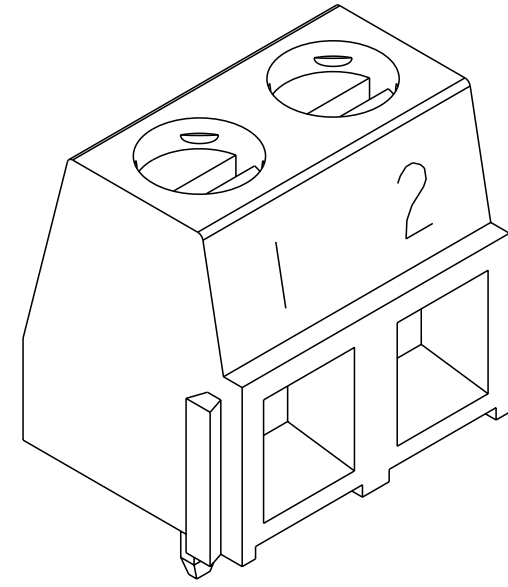
TOLERANCES UNLESS OTHERWISE SPECIFIED:
 0 PLC ±-
 1 PLC ±0.2
 2 PLC ±0.15
 3 PLC ±0.000
 4 PLC ±0.0000 ±2°

CUSTOMER DRAWING

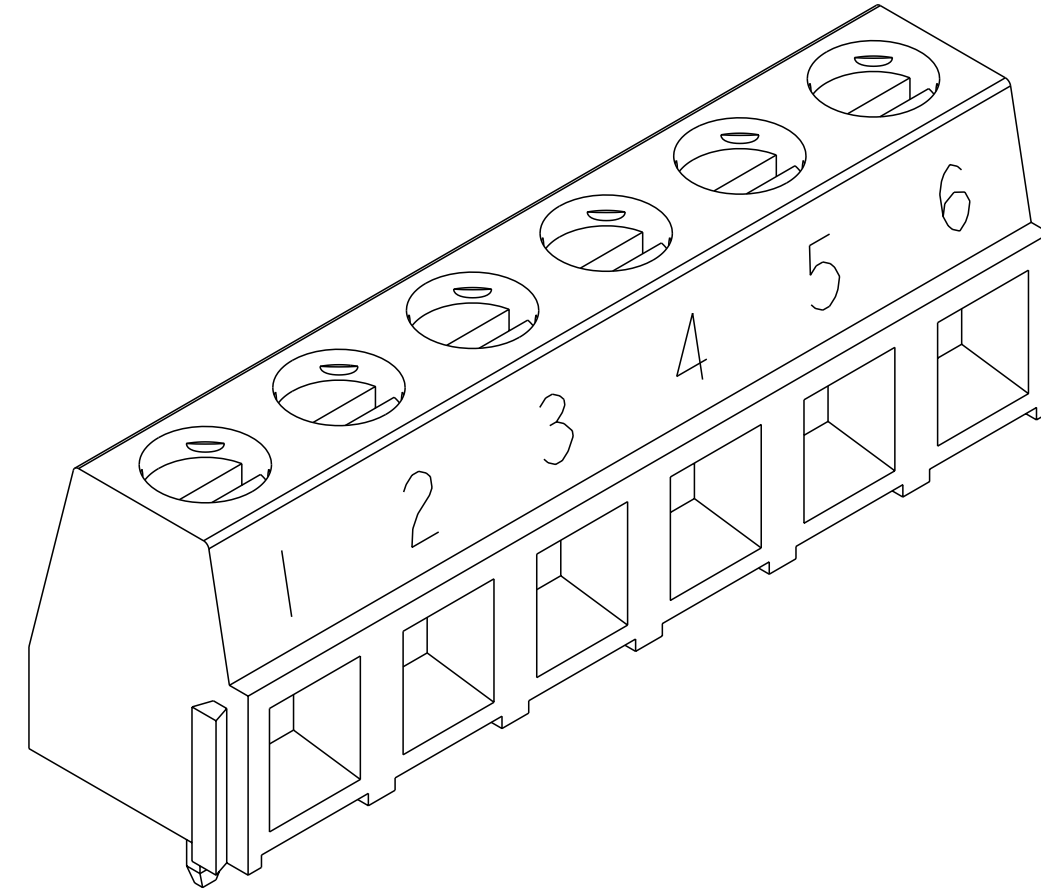
| REVISIONS | | | | |
|-----------|-----|-------------|------|------|
| P | LTR | DESCRIPTION | DATE | APVD |
| - | - | SEE SHEET 1 | - | - |

NOTES:

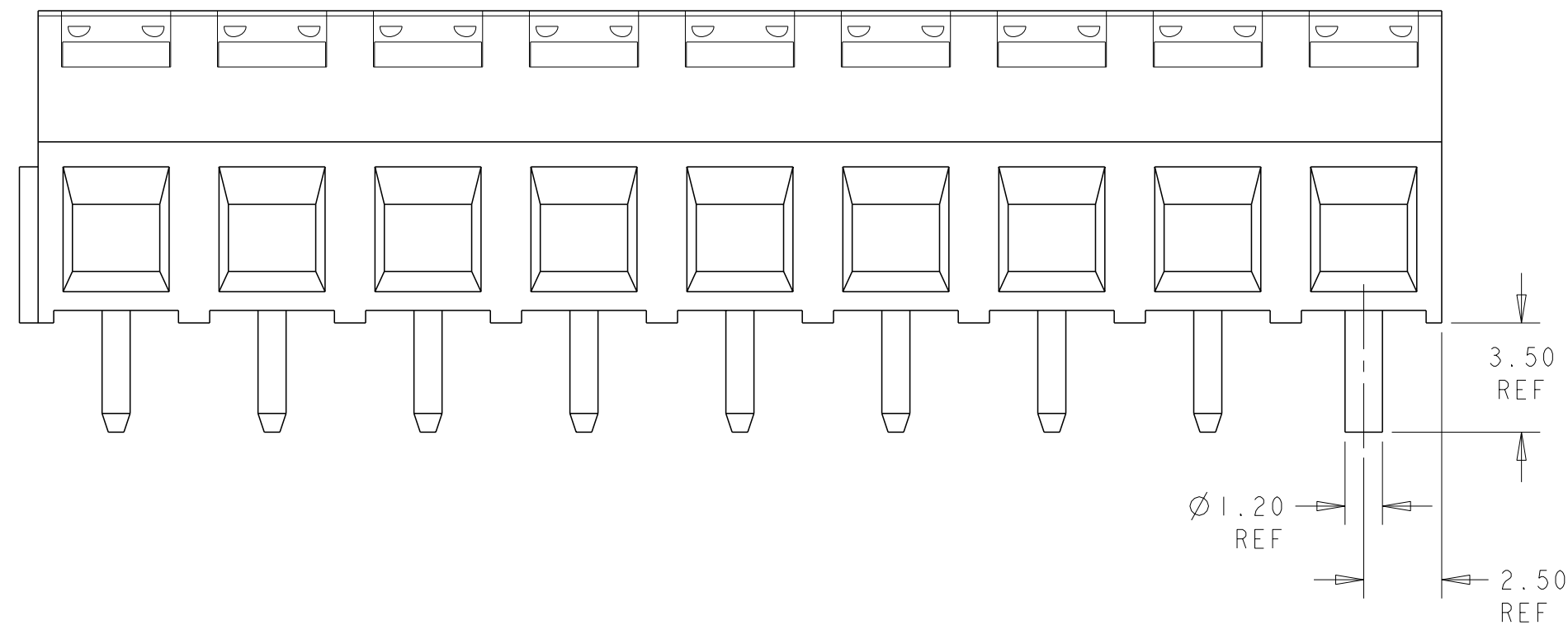
- 1 MATERIAL AND FINISH:
 HOUSING: PA 6-6, UL 94V-0 RATED, COLOR: GREEN.
 CLAMP: BRASS, NICKEL PLATED.
 TERMINAL: BRASS, TIN PLATED.
 CLAMPING SCREW: M3, BRASS, NICKEL PLATED.
- 2 MECHANICAL PROPERTIES
 WIRE STRIPPING LENGTH : 5-6 mm
 MIN. PCB BOARD HOLES DIAMETER : 1.1mm
 MAX. PCB BOARD THICKNESS : 2.4mm
 RECOMMENDED TORQUE FOR SCREW : 0.5 Nm.
- 3 ELECTRICAL PROPERTIES
 WIRE RANGE : 16-30 AWG
 MAX. VOLTAGE : 300 V
 MAX. CURRENT : 13.5 A
 CONTACT RESISTANCE : <15 m Ohm
 INSULATION RESISTANCE : >1000 M Ohm (500V DC)
- 4 END-TO-END STACKABLE W/INTERLOCK WITHOUT LOSS OF CENTERLINE SPACING.
- 5 PACKED IN TRAY.
- 6 RECOGNIZED UNDER THE COMPONENT PROGRAM OF UNDERWRITERS LABORATORIES INC. FILE NO E60677.
- 7 NOT CUMULATIVE TOLERANCE.
- 8 INK MARKING, WHITE COLOR, UNLESS OTHERWISE SPECIFIED. NUMERICAL SEQUENCE FROM LEFT TO RIGHT, UNLESS OTHERWISE SPECIFIED.
- 9 OPERATING TEMPERATURE RANGE: -40°C TO +110°C
- 10 INK MARKING, BLACK COLOR



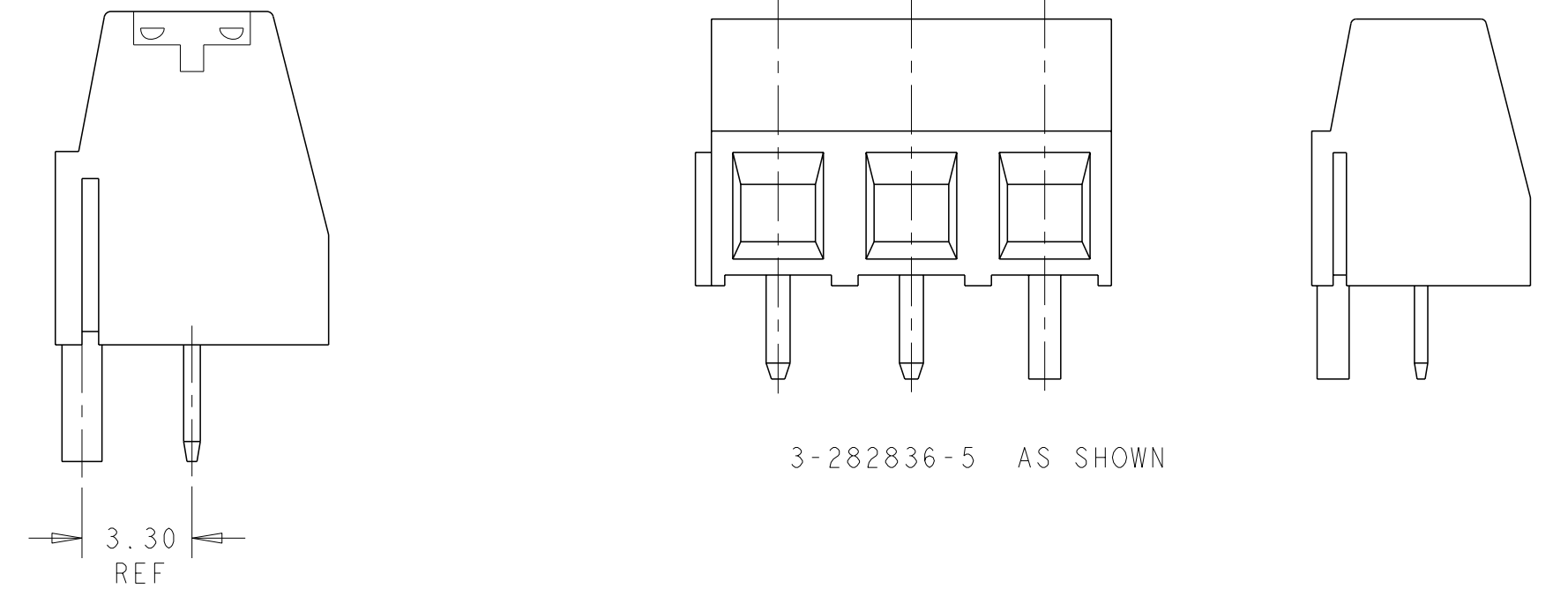
1-282836-3 AS SHOWN



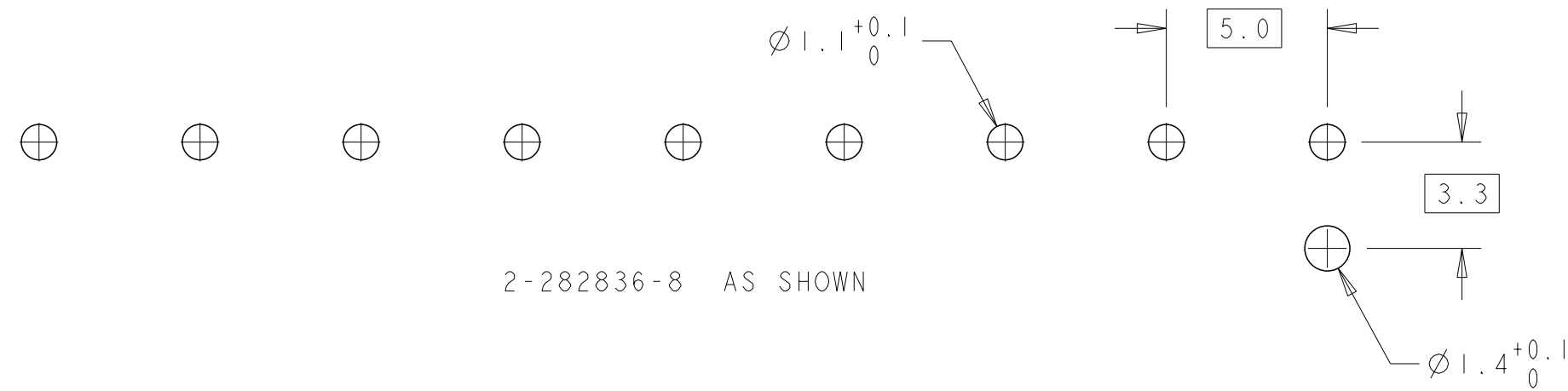
OBSOLETE ~~2-282836-7~~ AS SHOWN



2-282836-8 AS SHOWN



3-282836-5 AS SHOWN



| | | | | |
|----------------------------------------|--------------|---------------------------|-----------------------------------------------------------------------------------------|---------------|
| THIS DRAWING IS A CONTROLLED DOCUMENT. | | DWN S. WELDON 28SEP2007 | TE Connectivity | |
| DIMENSIONS: mm | | CHK C. RICHARD 28SEP2007 | | |
| TOLERANCES UNLESS OTHERWISE SPECIFIED: | | APVD C. RICHARD 28SEP2007 | NAME: TERMINAL BLOCK, PCB MOUNT, SIDE WIRE ENTRY, STACKING WITH INTERLOCK, 5.00mm PITCH | |
| 0 PLC ±- | 1 PLC ±0.2 | PRODUCT SPEC | SIZE | RESTRICTED TO |
| 2 PLC ±0.15 | 3 PLC ±0.000 | APPLICATION SPEC | CAGE CODE | |
| 4 PLC ±0.000 | ANGLES ±2° | | DRAWING NO | |
| MATERIAL | FINISH | WEIGHT | A200779 | C-282836 |
| CUSTOMER DRAWING | | | SCALE 5:1 | SHEET 2 OF 3 |

THIS DRAWING IS UNPUBLISHED. RELEASED FOR PUBLICATION 20
 © COPYRIGHT 20 BY - ALL RIGHTS RESERVED.

| REVISIONS | | | | |
|-----------|-----|-------------|------|------|
| P | LTR | DESCRIPTION | DATE | APVD |
| - | - | SEE SHEET 1 | - | - |



3-1986874-2 AS SHOWN



1986874-2 AS SHOWN



1-1986874-1 AS SHOWN

| | | | |
|-----------------------------------------------------------------------|--|---------------------------------|-------------------------------------------------------------------------------------------------|
| THIS DRAWING IS A CONTROLLED DOCUMENT. | | DWN S. WELDON 28SEP2007 | STE TE Connectivity |
| DIMENSIONS: mm | | CHK C. RICHARD 28SEP2007 | |
| TOLERANCES UNLESS OTHERWISE SPECIFIED: | | APVD C. RICHARD 28SEP2007 | NAME TERMINAL BLOCK, PCB MOUNT, SIDE WIRE ENTRY, STACKING WITH INTERLOCK, 5.00mm PITCH |
| 0 PLC ± 1 PLC ±0.2 2 PLC ±0.15 3 PLC ±0.000 4 PLC ±0.0000 | | PRODUCT SPEC - | SIZE A200779 |
| ANGLES ±2° | | APPLICATION SPEC - | CAGE CODE C-282836 |
| FINISH | | WEIGHT - | DRAWING NO C-282836 |
| MATERIAL | | CUSTOMER DRAWING | RESTRICTED TO |
| | | SCALE 4:1 | SHEET 3 OF 3 |
| | | | REV J |