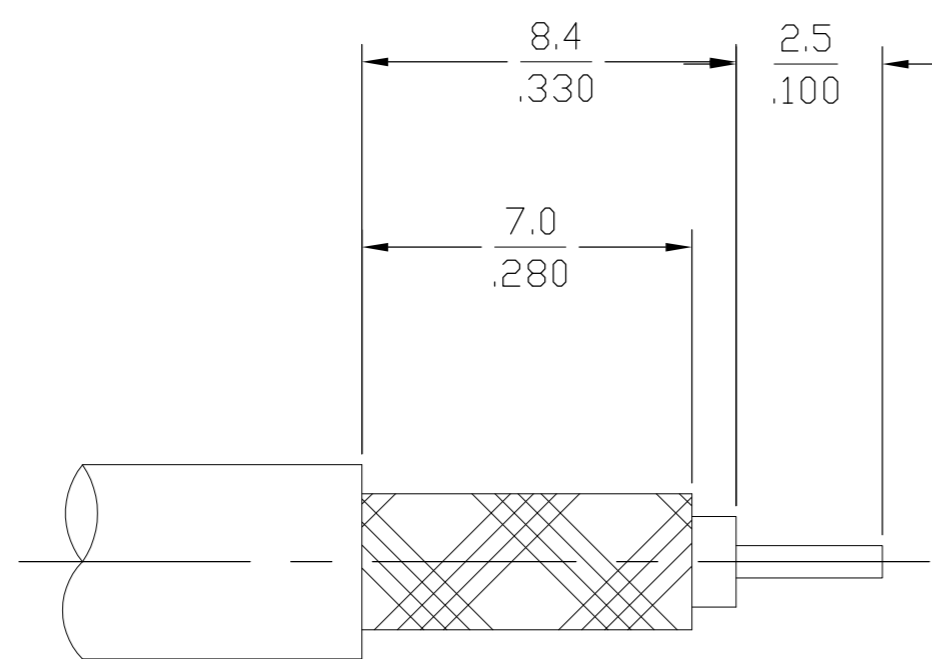
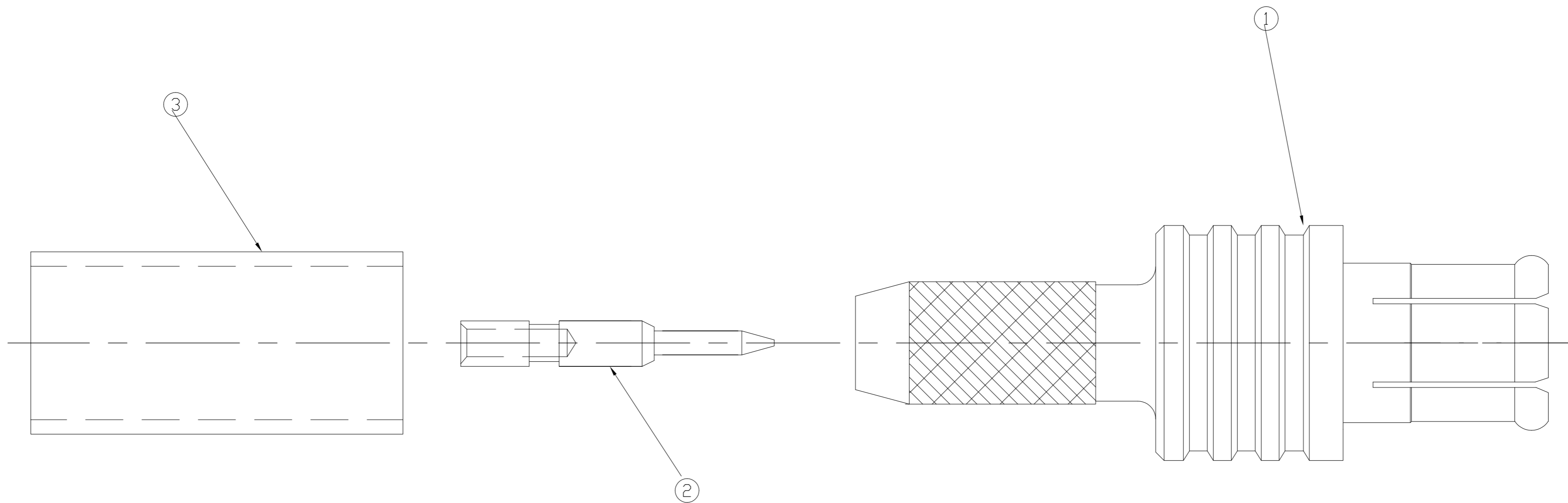


THIS DRAWING IS UNPUBLISHED. RELEASED FOR PUBLICATION  
 © COPYRIGHT BY TYCO ELECTRONICS CORPORATION. ALL RIGHTS RESERVED.

LOC	DIST	REVISIONS			
P	LTR	DESCRIPTION	DATE	DWN	APVD
AJ	00				
	C	REV PER ECO 08-007172	26MAR2008	DW	JL



RECOMMENDED STRIP LENGTH

RD316/U	3-413889-2	1408060-2	1408063-1	1060875-2
RD316/U	2-413889-7	1408060-2	1408063-2	1060875-1
CABLE SIZE	FERRULE (3) QTY=1	CONTACT (2) QTY=1	PLUG ASSEMBLY (1) QTY=1	PART NUMBER

THIS DRAWING IS A CONTROLLED DOCUMENT.		DWN —	05APR2007	
DIMENSIONS: INCHES		CHK —	Tyco Electronics Tyco Electronics Corporation Harrisburg, PA 17105-3608	
TOLERANCES UNLESS OTHERWISE SPECIFIED:		APVD —	NAME MCX CABLE PLUG, CRIMP ATTACHMENT	
0 PLC ± -		PRODUCT SPEC —	SIZE A2	
1 PLC ± -		APPLICATION SPEC 408-10131	CAGE CODE 00779	DRAWING NO C=1060875
2 PLC ± -		MATERIAL —	RESTRICTED TO —	
3 PLC ± -		FINISH —	SCALE 10:1	
4 PLC ± -		CUSTOMER DRAWING		
ANGLES ± -		SHEET 1 of 1		
FINISH —		REV C		

# Mouser Electronics

Authorized Distributor

Click to View Pricing, Inventory, Delivery & Lifecycle Information:

[TE Connectivity:](#)

[1060875-2](#)