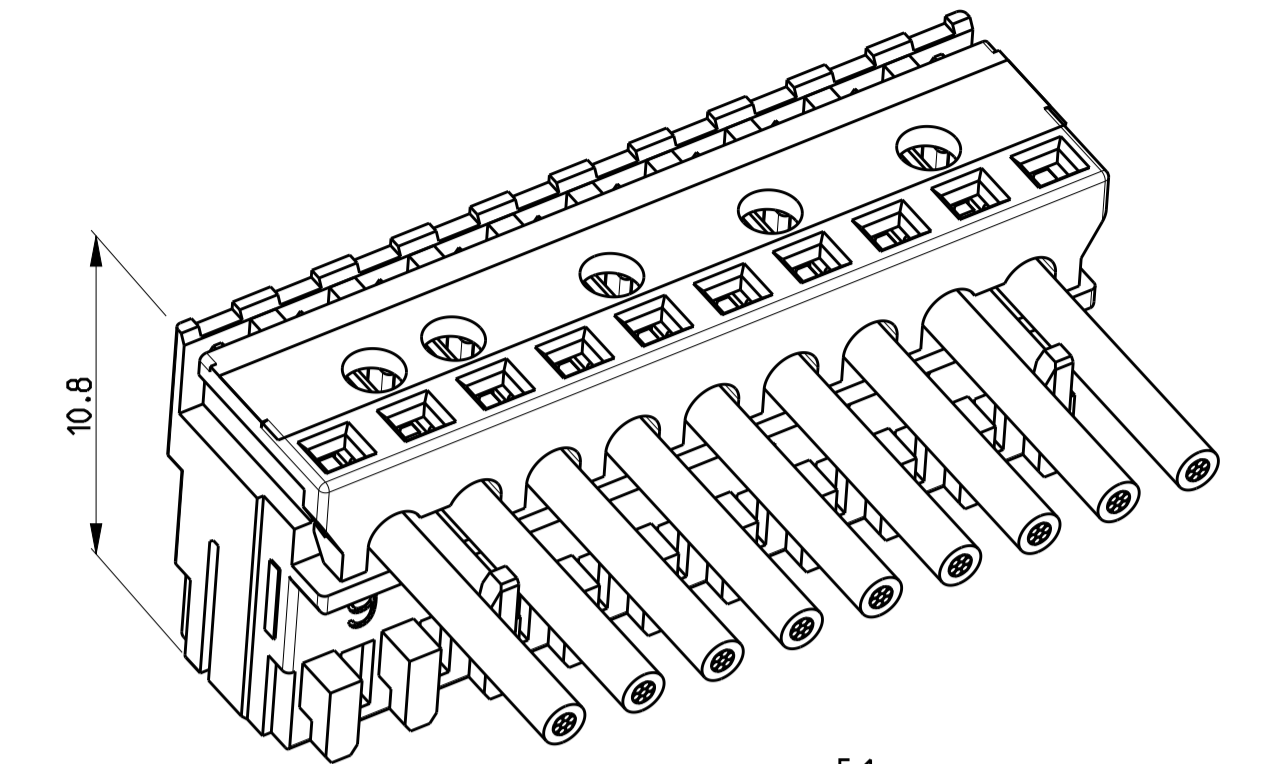
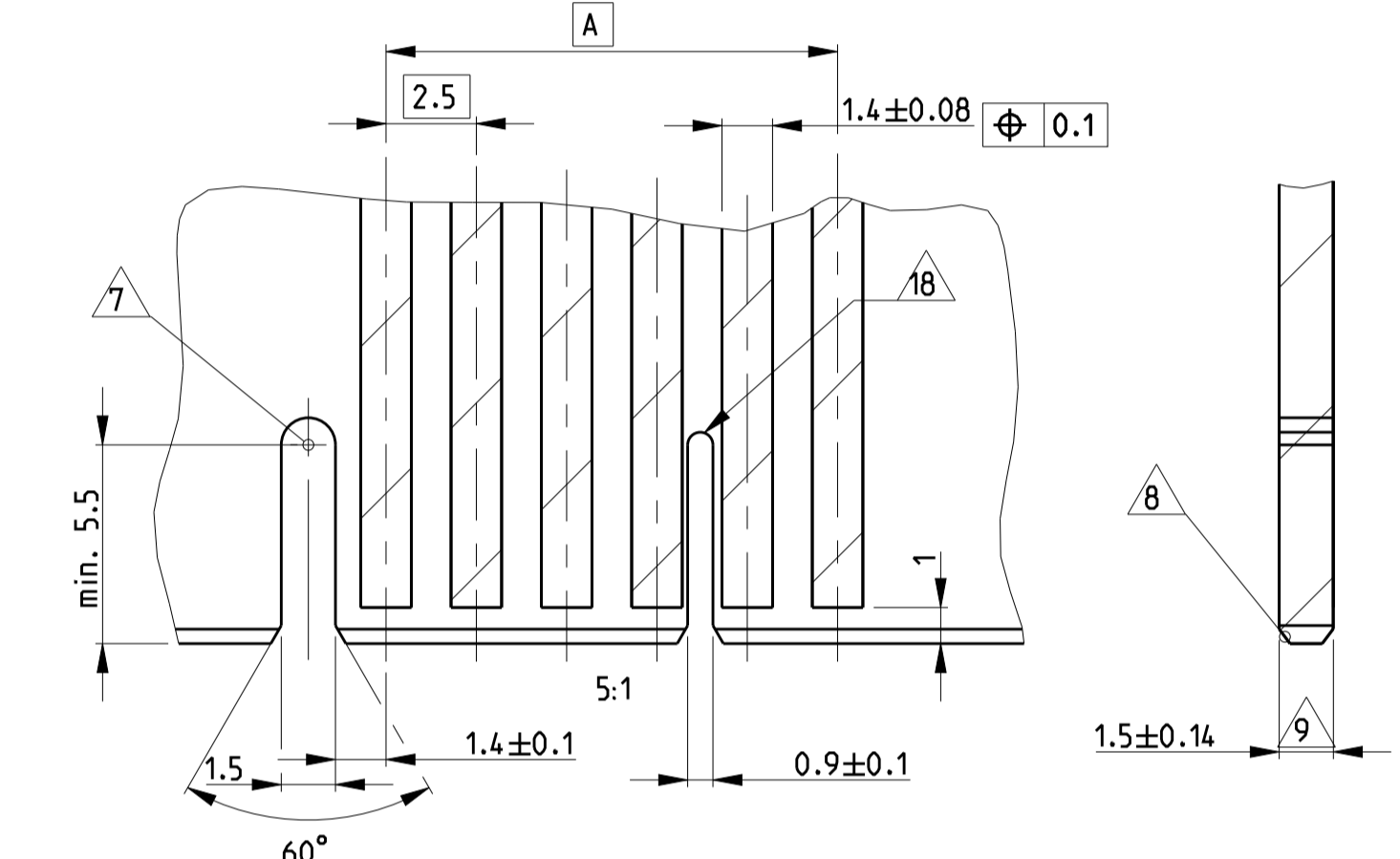


- 26 WITH SPECIAL CHAIN FEATURE
- 25 SIDE KEYING ON LAST CAVITY THICKNESS=1.5mm
- 24 SIDE KEYING ON CAVITY 1 THICKNESS=1.5mm
- 19 COLOR MARKING IN THIS AREA. COLOR SEE TABLE
- 18 SLOT, THICK, BETWEEN CAVITIES
- 17 KEYING, THICK, BETWEEN POSITION
- 16 SLOT, SLIM, FOR SIDE KEYING, LAST CAVITY Schlitz.duenn. an letzte Kammer
- 15 SLOT, SLIM, FOR SIDE KEYING, SIDE CAVITY 1 Schlitz.duenn. fuer Seitenkodierung
- 14 SIDE KEYING, SLIM, ON LAST CAVITY Seitenkodierung, duenn. an letzte Kammer
- 13 SIDE KEYING, SLIM, ON CAVITY 1 Seitenkodierung, duenn. an Kammer 1
- 12 KEYING SLIM BETWEEN POSITIONS
- 11 PRELIMINARY PART NOT RELEASED FOR PRODUCTION
- 10 TE LOGO
- 9 INCLUSIVE COPPER LOADING Inklusive Kupferkaschierung
- 8 PCB PREFERABLY CHAMFERED Leiterplatte vorzugsweise angefast
- 7 SLOT, THICK, FOR SIDE KEYING Schlitz.dick. fuer Seitenkodierung
- 6 SIDE KEYING, THICK, ON LAST CAVITY Seitenkodierung, dick. an letzte Kammer
- 5 WIRE RANG: 0.22-0.35mm<sup>2</sup> SEE APPLICATION SPEC. 114-18467 Drahtgroeberebereich: 0.22-0.35mm<sup>2</sup> siehe Verarbeitungsspec. 114-18467
- 4 IEC 60695-2-11 / IEC 60335-1 GLOW WIRE TEST 750 °C WITHOUT FLAME IEC 60695-2-11 / IEC 60335-1 Gluehdrahttest 750 °C ohne Flamme
- 3 X..CAVITY LOADED WITH CONTACT O..CAVITY WITHOUT CONTACT X..Kammer mit Kontakt bestueckt O..Kammer ohne Kontakt
- 2 MATING PART: PCB (WITH FRAMES ACC. RAST 2.5 E.G. PN 964 575/576 TABHEADER PN 829 866/867 Passender Gegenstecker: Leiterplatten (mit Rahmen nach RAST 2.5 z.B. 964 575/576) Tabwannen Nr. 829 866/867
- 1 KEYING RIBS: CUTTING WITH TERMINATION MACHINE POSSIBLE Kodierrippe; Schneiden auf der Verarbeitungsmaschine moeglich

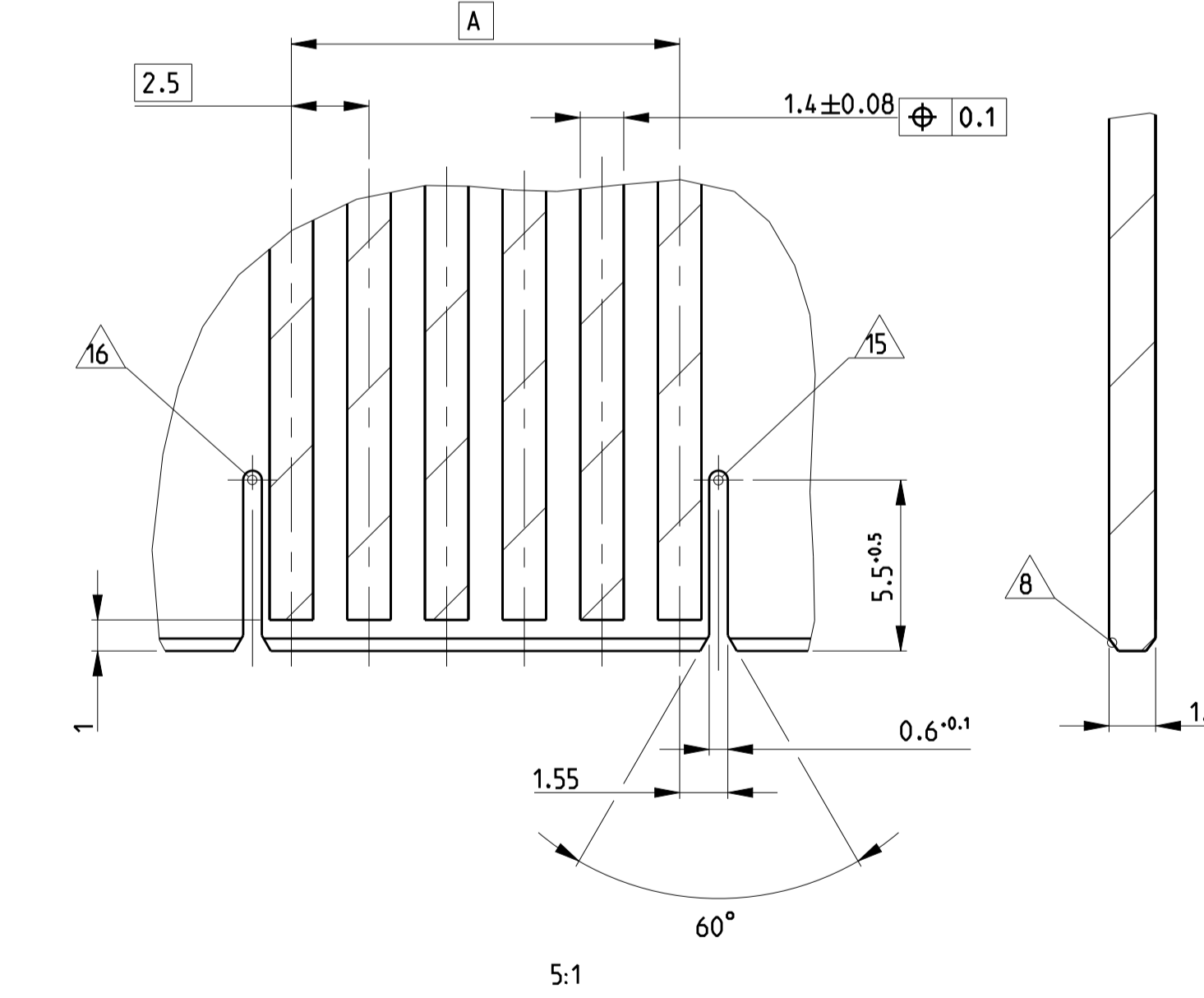
LOC	DIST	REVISIONS					
A1	-	P	LTR	DESCRIPTION	DATE	DWN	APVD
		D30	ECR-17-008889		28 JUN 2017	KD	RR
		D31	ECR-17-011339		04 AUG 2017	LZ	RR
		D32	ECR-17-014235		27 SEP 2017	KD	RR
		D33	ECR-17-017104		2 NOV 2017	LZ	RR



PCB LAYOUT KEYED / CONNECTED ONLY WITH ADDITIONAL FRAME (THICK KEYING)  
Leiterplattenanschluss kodiert / nur in Verbindung mit zusaeztllichem Rahmen



PCB LAYOUT KEYED / CONNECTED ONLY WITH ADDITIONAL FRAME (SLIM KEYING)  
Leiterplattenanschluss kodiert / nur in Verbindung mit zusaeztllichem Rahmen



THIS DRAWING IS A CONTROLLED DOCUMENT.		DWN: H. Karabiyik 24MAY2002	 TE Connectivity
DIMENSIONS: mm		CHK: B. Schnaubel 24MAY2002	
TOLERANCES UNLESS OTHERWISE SPECIFIED:		APVD: T. Klenner 24MAY2002	NAME: AMP DUOPLUG 2.5 MARK II FEMALE CONNECTOR 3-20 POSITION SELECTIVE LOADED
0 PLC ±0.2		PRODUCT SPEC: 108-18785	
1 PLC ±0.2		APPLICATION SPEC: 114-18467	SIZE: A1    CAGE CODE: 00779    DRAWING NO: 1534798    RESTRICTED TO: -
2 PLC ±0.2		WEIGHT: -	
3 PLC ±0.2		Customer Drawing	SCALE: 5:1    SHEET: 1 of 3    REV: 033
4 PLC ±0.2			
ANGLES FINISH			

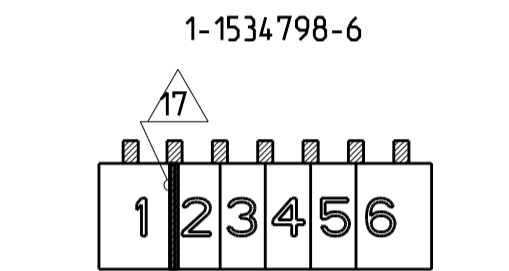
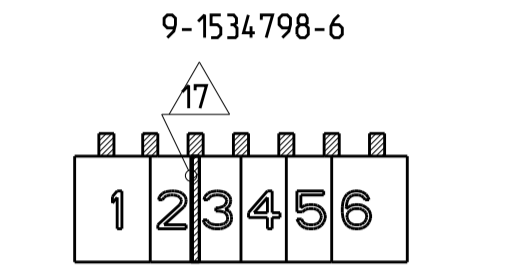
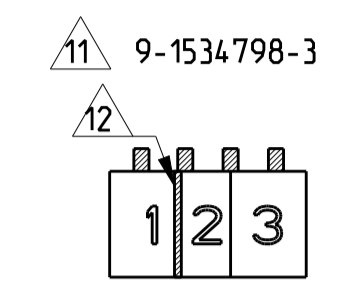
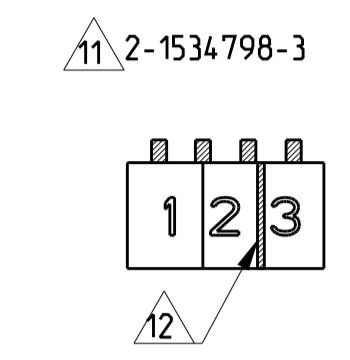
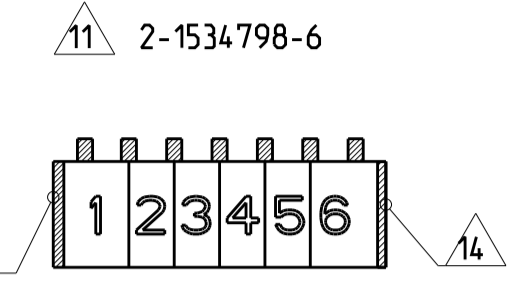
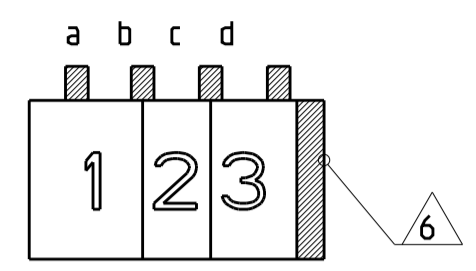
POS.	PN Bestell-Nr.	DESCRIPTION Beschreibung	MATERIAL	COLOUR/FINISH Farbe/Oberflaeche
2	SEE TABLE	CONTACT/Kontakt	CuSn	TINNED/verzinkt
1	siehe Tabelle	HOUSING/Federleistengenh.	HIGH TEMP PLASTIC	NATUR/Natur

LOC	DIST	P	LTR	REVISIONS	DATE	DWN	APVD
A1	-			SEE SHEET 1			

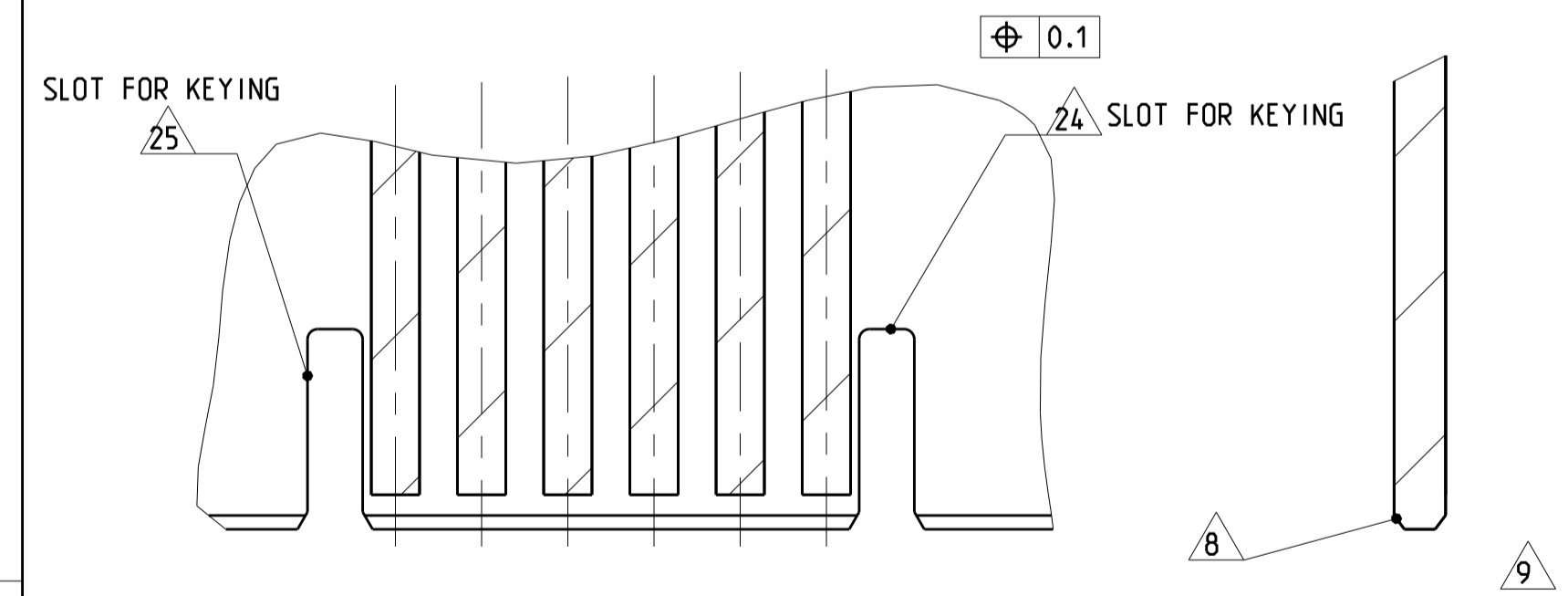
KEYING PLAN

Kodierschema

4-1534798-3



PCB LAYOUT KEYED / CONNECTED ONLY WITH ADDITIONAL FRAME (KEYING THICKNESS-1.5mm)



5:1

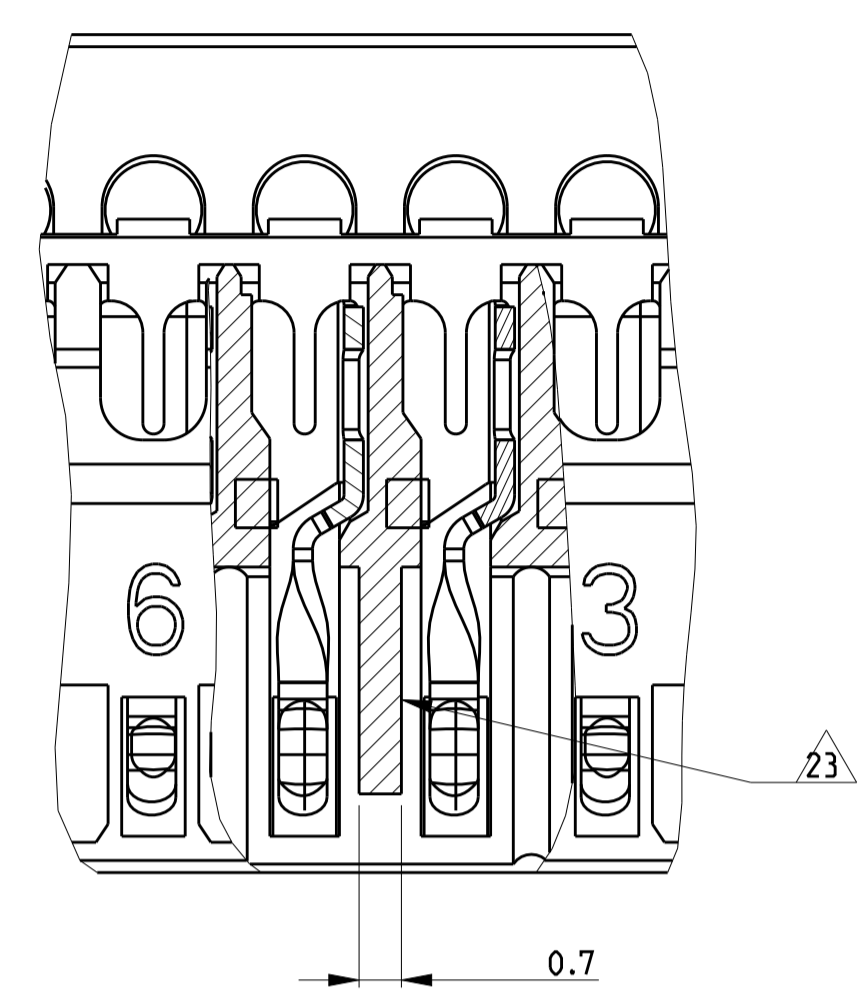
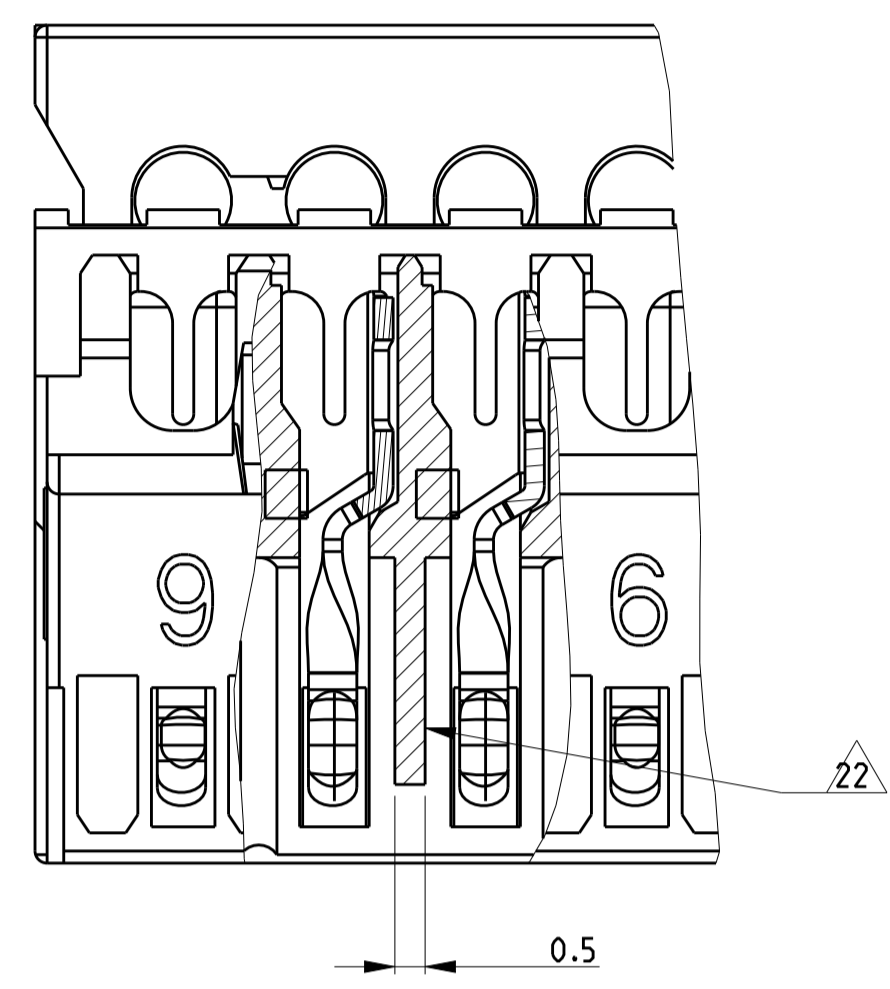
Color	20	19	18	17	16	15	14	13	12	11	10	9	8	7	6	5	4	3	2	1	POS. Polzahl	DIM A	DIM B	25	24	17	12	14	13	6	PN Bestell-Nr.
		X	0	X	0	X	0	X	0	X	0	X	0	X	0	X	0	X	0	X	19	45	49.9								1-1534799-9
																					17	40	44.9							1534799-7	
																					15	35	39.9							1-1534799-5	
																					13	30	34.9							4-1534799-3	
																													3-1534799-3		
																					12	27.5	32.4							1-1534799-2	
																													2-1534799-2		
Black																					11	25	29.9							5-1534799-1	
																													4-1534799-1		
																													3-1534799-1		
																													2-1534799-1		
																					10	22.5	27.4							5-1534798-0	
																													4-1534798-0		
																													3-1534798-0		
																													2-1534798-0		
																					9	20	24.9							6-1534798-9	
																													5-1534798-9		
																													4-1534798-9		
																													3-1534798-9		
																													9-1534798-8		
																					8	17.5	22.4							8-1534798-8	
																													7-1534798-8		
																													6-1534798-8		
																													5-1534798-8		
																													4-1534798-8		
																													3-1534798-8		
Black																					7	15	19.9							6-1534798-7	
																													5-1534798-7		
																													4-1534798-7		
																													3-1534798-7		
																													2-1534798-6		
Black																													1-1534798-6		
Red																													9-1534798-6		
																													8-1534798-6		
																													7-1534798-6		
																													6-1534798-6		
																													5-1534798-6		
																													2314657-6		
																													1-2314657-6		
																													4-1534798-6		
																													3-1534798-6		
Brown																													8-1534798-5		
Black																													7-1534798-5		
																													6-1534798-5		
																													5-1534798-5		
																													4-1534798-5		
																													3-1534798-5		
																													2-1534798-5		
																													3-1534798-4		
Orange																													1-1534798-3		
																													1534798-3		
																													9-1534798-3		
																													2-1534798-3		
Brown																													8-1534798-3		
Green																													7-1534798-3		
Blue																													6-1534798-3		
																													5-1534798-3		
																													4-1534798-3		
																													3-1534798-3		

THIS DRAWING IS A CONTROLLED DOCUMENT. DIMENSIONS: mm. TOLERANCES UNLESS OTHERWISE SPECIFIED: 0 PLC ±0.2, 1 PLC ±0.2, 2 PLC ±0.2, 3 PLC ±0.2, 4 PLC ±0.2, ANGLES ±°. MATERIAL: -. FINISH: -. THIS DRAWING IS A CONTROLLED DOCUMENT. DWN: H. Karabiyik, 24MAY2002. CHK: B. Schnaubel, 24MAY2002. APVD: T. Klenner, 24MAY2002. PRODUCT SPEC: 108-18785. APPLICATION SPEC: 114-18467. WEIGHT: -. Customer Drawing. SCALE: 5:1. SHEET: 2 OF 3. REF: 033.

**STE** TE Connectivity  
 AMP DUOPLUG 2.5 MARK II FEMALE CONNECTOR 3-20 POSITION SELECTIVE LOADED

SIZE: A1. CAGE CODE: 00779. DRAWING NO: 1534798. SHEET: 2 OF 3.

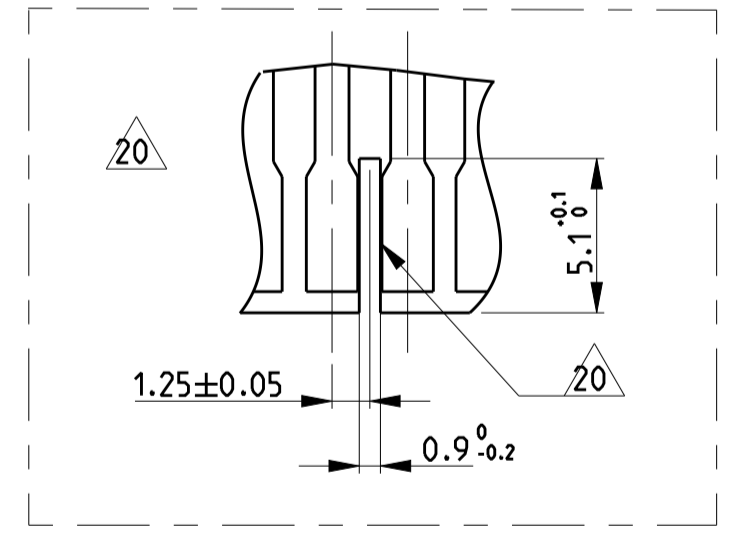
LOC	DIST	REVISIONS			
P	LTR	DESCRIPTION	DATE	DWN	APVD
-	-	SEE SHEET 1	-	-	-



KEYING  $\Delta 22$

KEYING  $\Delta 23$

- $\Delta 23$  KEYING. SPECIAL THICK. BETWEEN POSITION
- $\Delta 22$  KEYING. SPECIAL THIN. BETWEEN POSITION
- $\Delta 21$  SLOT FOR KEYING SPECIAL. BETWEEN POSITION
- $\Delta 20$  RECOMMENDED PCB CUTOFF DIMENSION FOR THE PN X-2304527-Y AND X-2304528-Y



GWT 750C AND UL94 V0 VERSION																																					
Color	20	19	18	17	16	15	14	13	12	11	10	9	8	7	6	5	4	3	2	1	POS. Polzahl	DIM A	DIM B	KEYING	KEYING	KEYING	KEYING	PN 11 Bestell-Nr.									
Blue											X	0	X	0	X	0	X	0	X	0	X	0	X	0	X	0	X	13	30	34.9					1-2304528-3		
											X	0	X	X	X	X	X	X	X	X	X	X	X	X	X	X	X							2304528-3			
Orange												X	0	X	0	X	0	0	0	X	X	X						11	25	29.9					2-2304528-1		
Green												X	0	X	0	X	0	X	0	X	0	X													1-2304528-1		
												X	X	X	0	X	0	X	0	X	X							10	22.5	27.4					2-2304528-0		
												X	0	X	0	X	0	0	0	X															1-2304528-0		
												X	0	X	0	X	0	X	0	X															3-2304527-9		
												X	0	X	X	0	X	X	0	X															2-2304527-9		
Black												X	X	0	X	0	X	X	0	X								9	20	24.9					1-2304527-9		
Blue												X	X	X	X	X	0	X	X																2304527-9		
												X	0	X	0	X	0	X	0	X																4-2304527-7	
												X	X	X	0	X	X	X																		3-2304527-7	
Black												X	X	X	X	0	0	X										7	15	19.9					2-2304527-7		
Green												X	0	X	0	X	0	X																		1-2304527-7	
Blue												X	0	X	0	X	0	X																		2304527-7	
Red												X	X	0	X	0	X																			6-2304527-6	
Black												X	0	X	X	0	X																			5-2304527-6	
Green												X	X	0	X	0	X																			4-2304527-6	
												0	0	X	X	X	X																			3-2304527-6	
												X	0	X	X	0	X																			2-2304527-6	
Blue												X	0	X	0	X	X																			1-2304527-6	
Red												X	0	X	X	0	X																			2304527-6	
Red												X	X	X	0	X																				4-2304527-5	
Red												X	0	0	0	X																				3-2304527-5	
												X	0	0	0	X																				2-2304527-5	
												X	0	X	0	X																				1-2304527-5	
Green												X	0	X	0	X																				2304527-5	
Black												X	X	0	0																					2304527-4	
Red												X	0	X																						8-2304527-3	
Red												X	0	X																						7-2304527-3	
												X	0	X																						6-2304527-3	
Blue												X	0	X																						5-2304527-3	
												X	0	X																						4-2304527-3	
Black												X	0	X																							3-2304527-3
Red												X	0	X																							2-2304527-3
Brown												X	0	X																							1-2304527-3
Orange												X	0	X																							2304527-3
Color Code	20	19	18	17	16	15	14	13	12	11	10	9	8	7	6	5	4	3	2	1	POS. Polzahl	DIM A	DIM B	$\Delta 12$	$\Delta 17$	$\Delta 23$	$\Delta 22$	KAMMERBESTUECKUNG (CAVITIES LOADED) $\Delta 3$		KEYING KEYING KEYING KEYING		PN 11 Bestell-Nr.					

THIS DRAWING IS A CONTROLLED DOCUMENT. DWN H. Karabiyik 24MAY2002  
 CHK B. Schnaubel 24MAY2002  
 APVD T. Klenner 24MAY2002

**STE** TE Connectivity

NAME AMP DUOPLUG 2.5 MARK II FEMALE CONNECTOR 3-20 POSITION SELECTIVE LOADED

PRODUCT SPEC 108-18785 APPLICATION SPEC 116-18467

SIZE CAGE CODE DRAWING NO. RESTRICTED TO A 1 00779 C-1534798

MATERIAL - FINISH - WEIGHT - Customer Drawing SCALE 10:1 SHEET 3 OF 3

# Mouser Electronics

Authorized Distributor

Click to View Pricing, Inventory, Delivery & Lifecycle Information:

[TE Connectivity:](#)

[5-1534798-6](#)