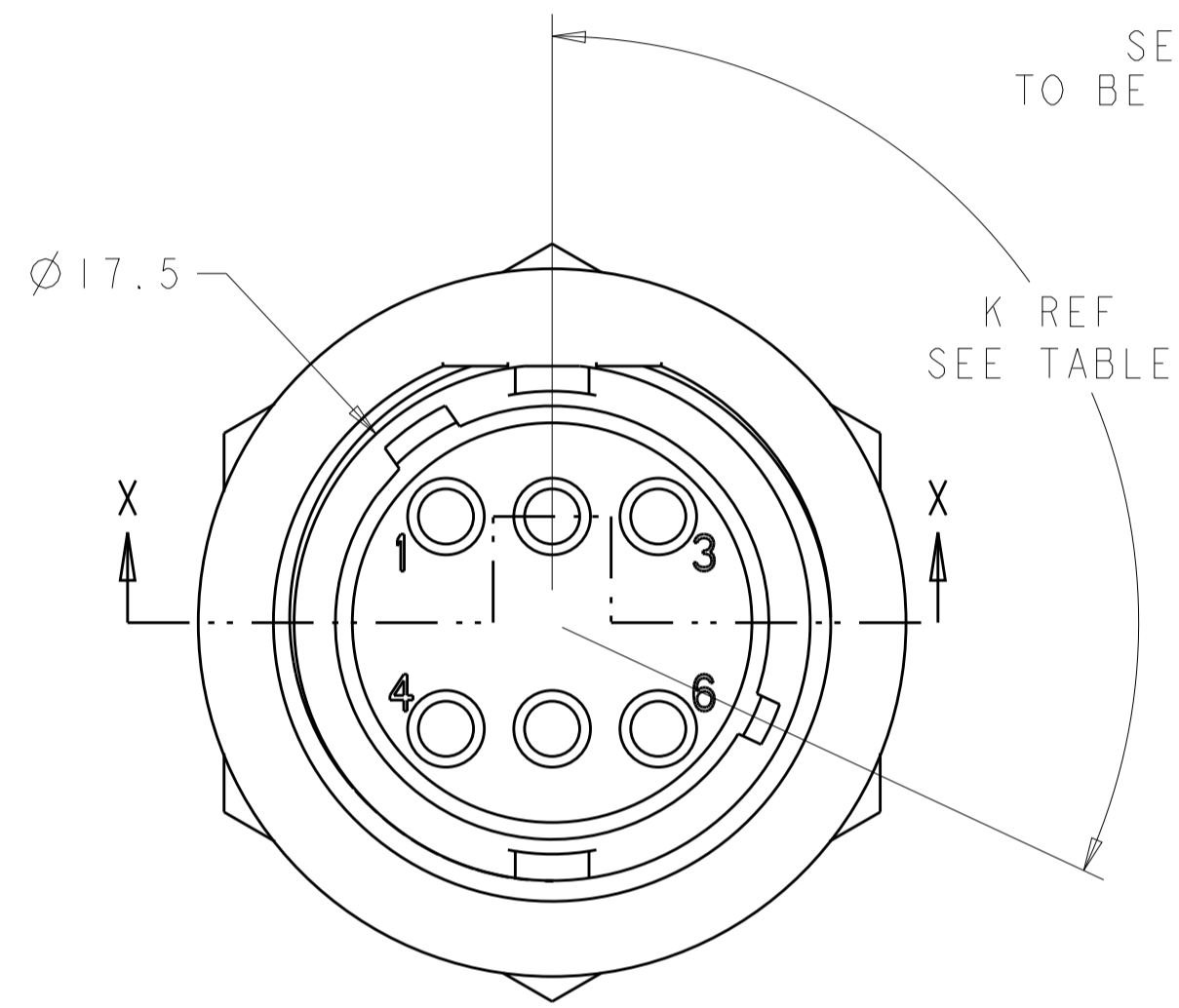
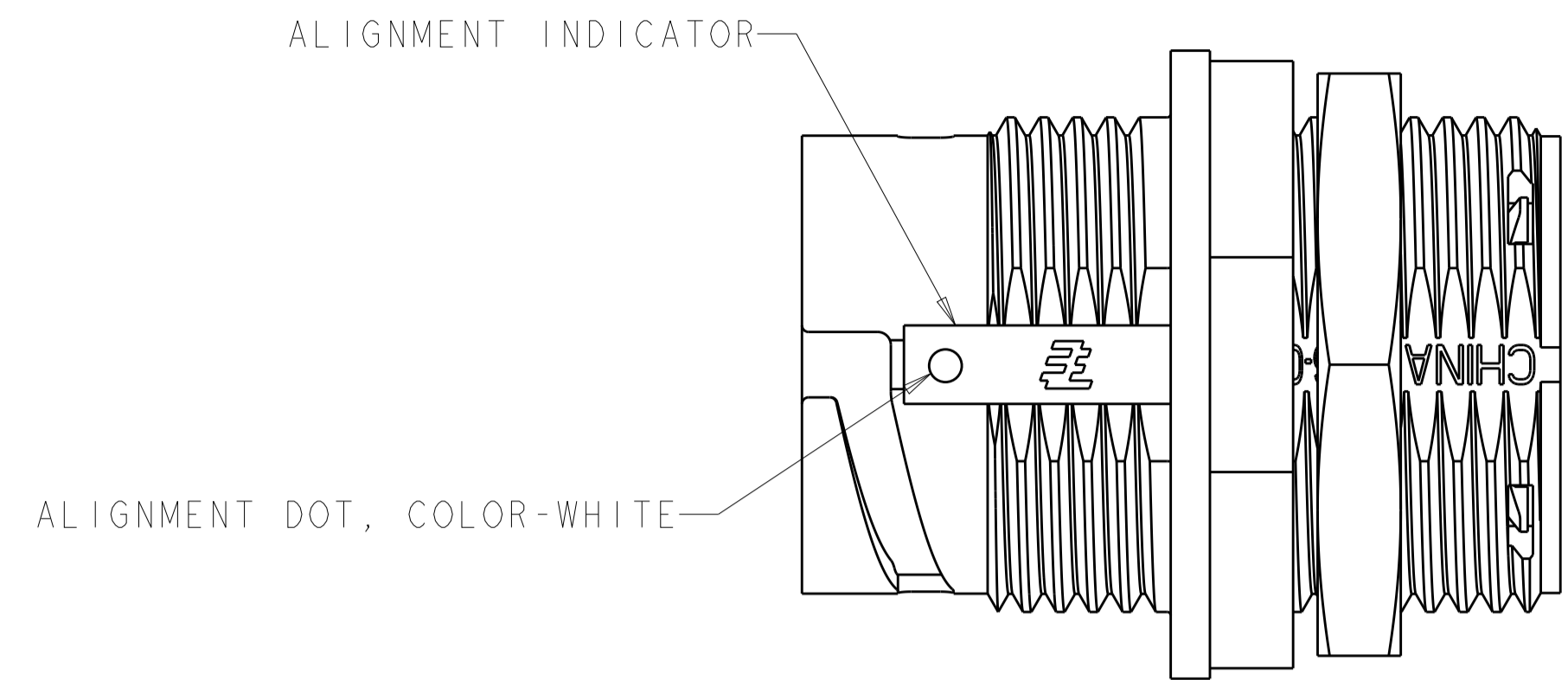
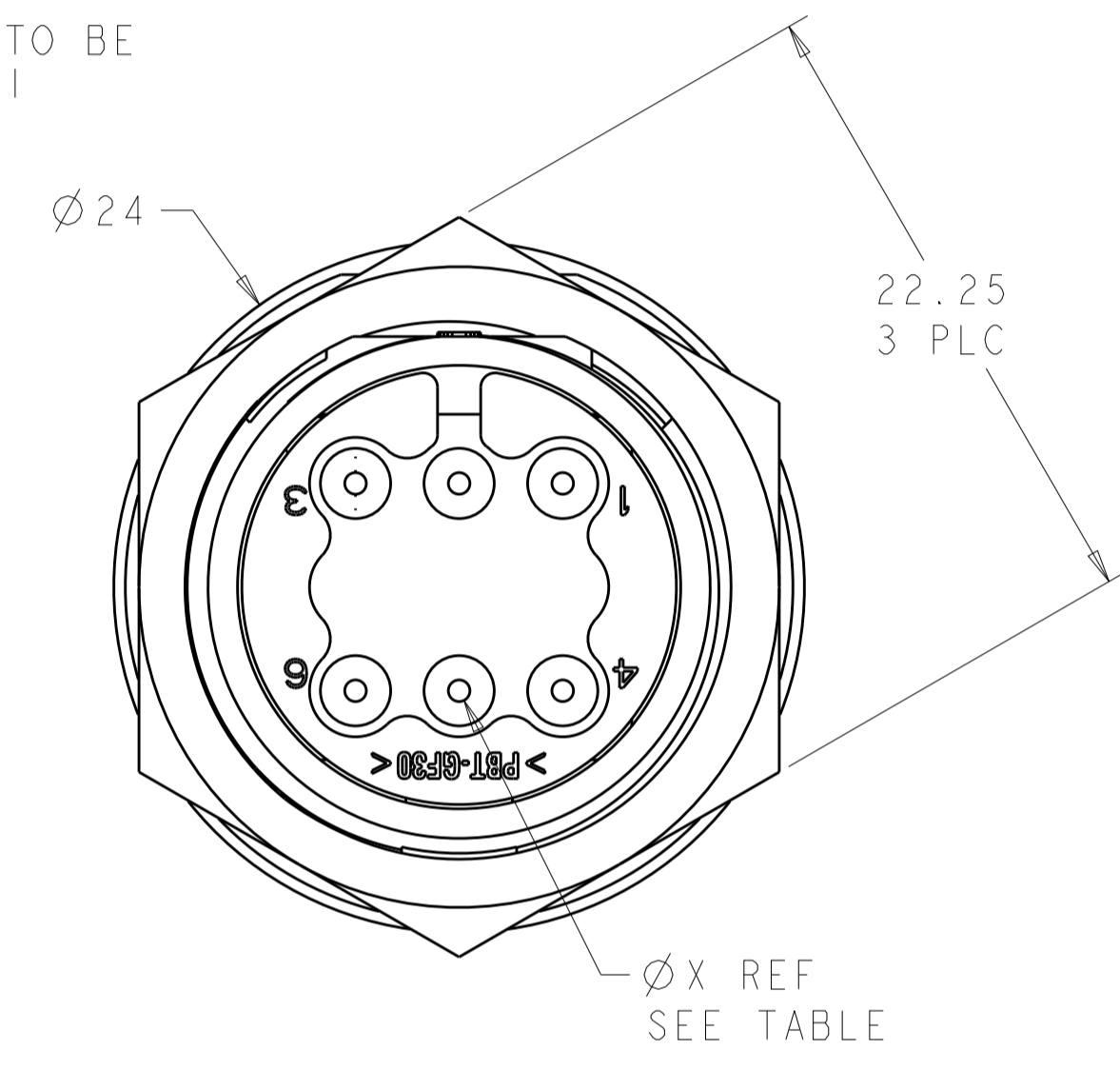
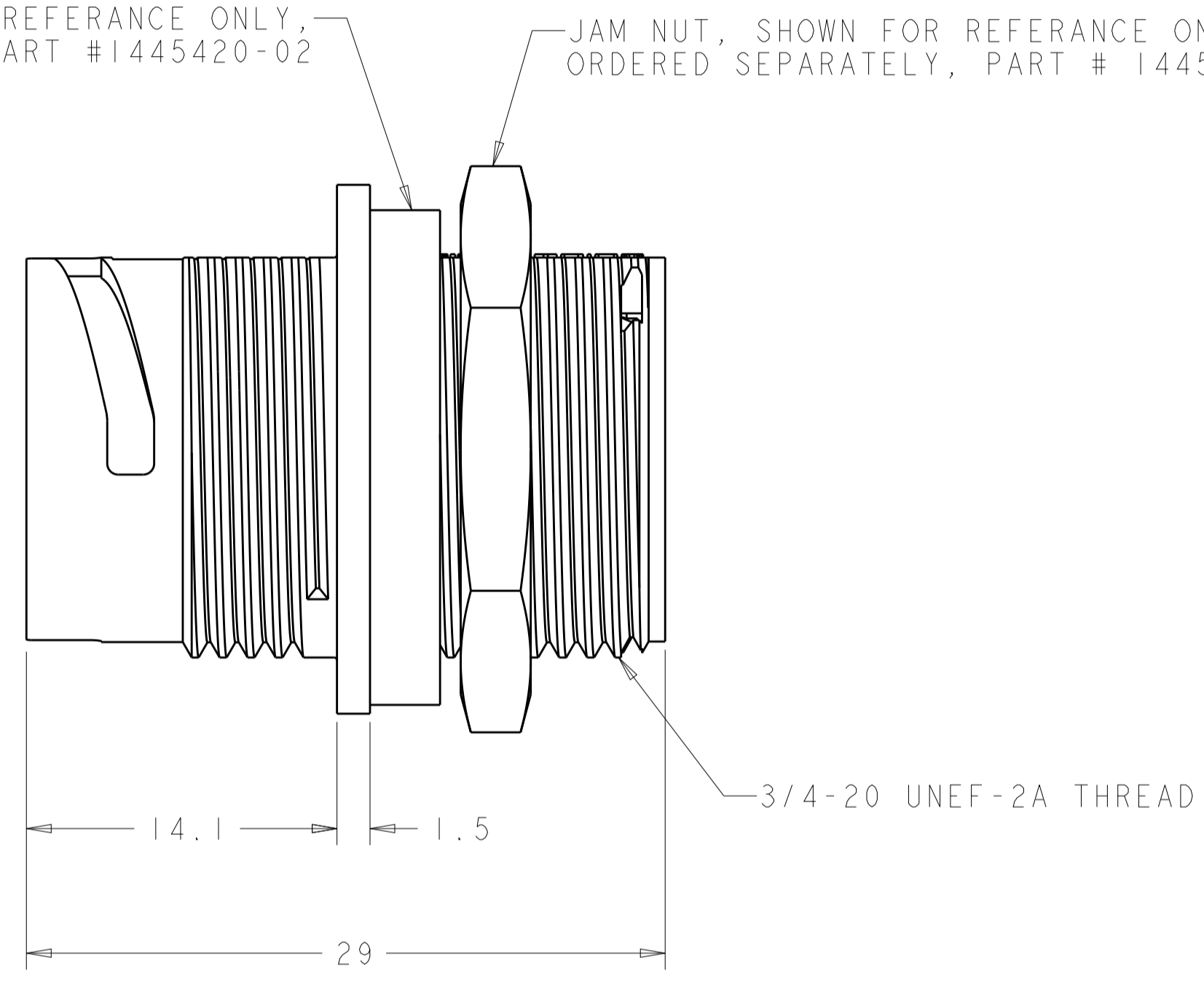


REVISIONS				
P.	LTN	DESCRIPTION	DATE	OWN APVD
B2		REVISED PER ECO-15-010004	13JUL2015	NK MZ
C		REVISED PER ECO-16-018352	24MAR2017	RS MZ

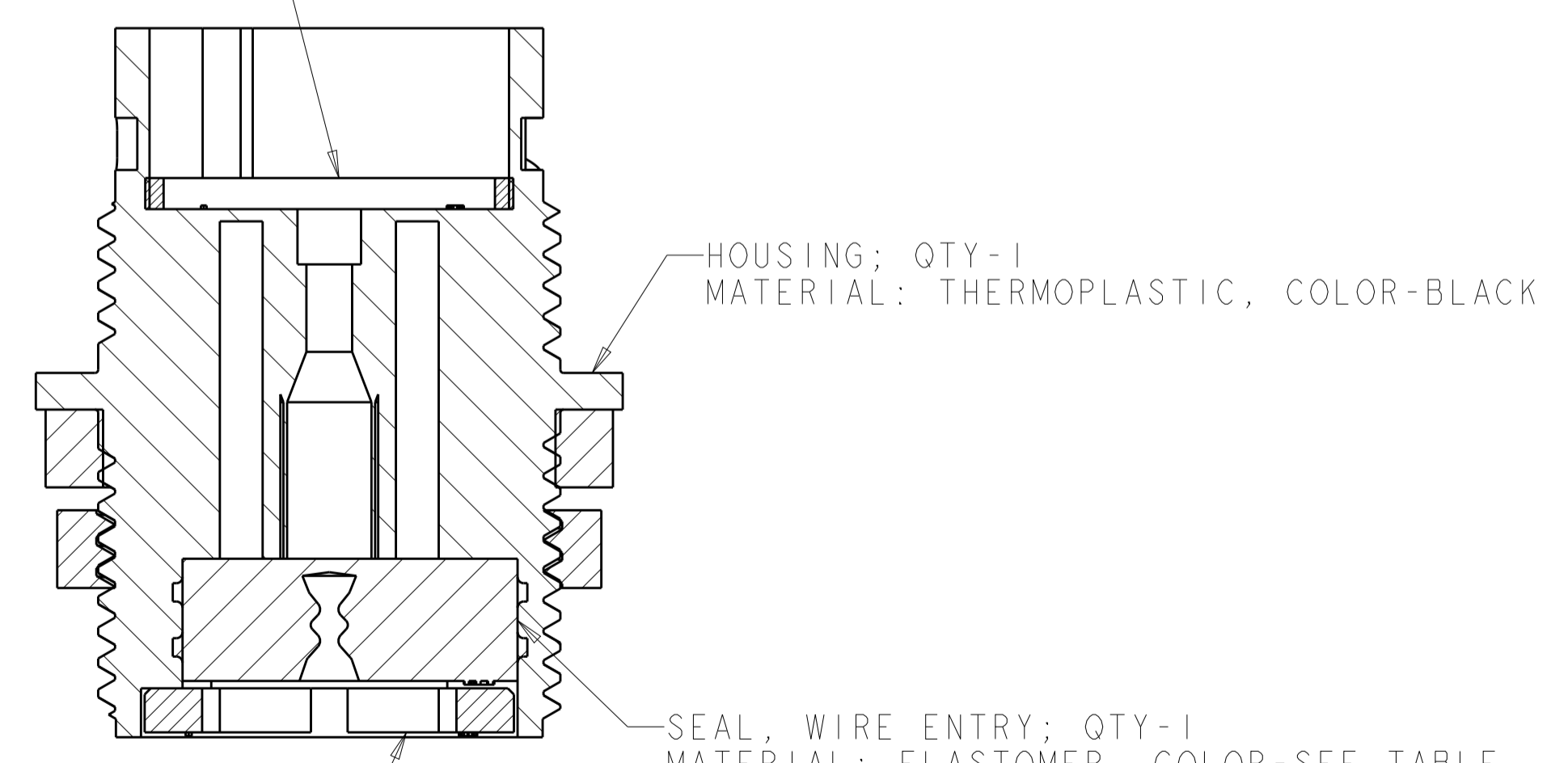


SEAL, PANEL, SHOWN FOR REFERENCE ONLY, TO BE ORDERED SEPARATELY, PART #1445420-02

JAM NUT, SHOWN FOR REFERENCE ONLY, TO BE ORDERED SEPARATELY, PART # 1445904-1



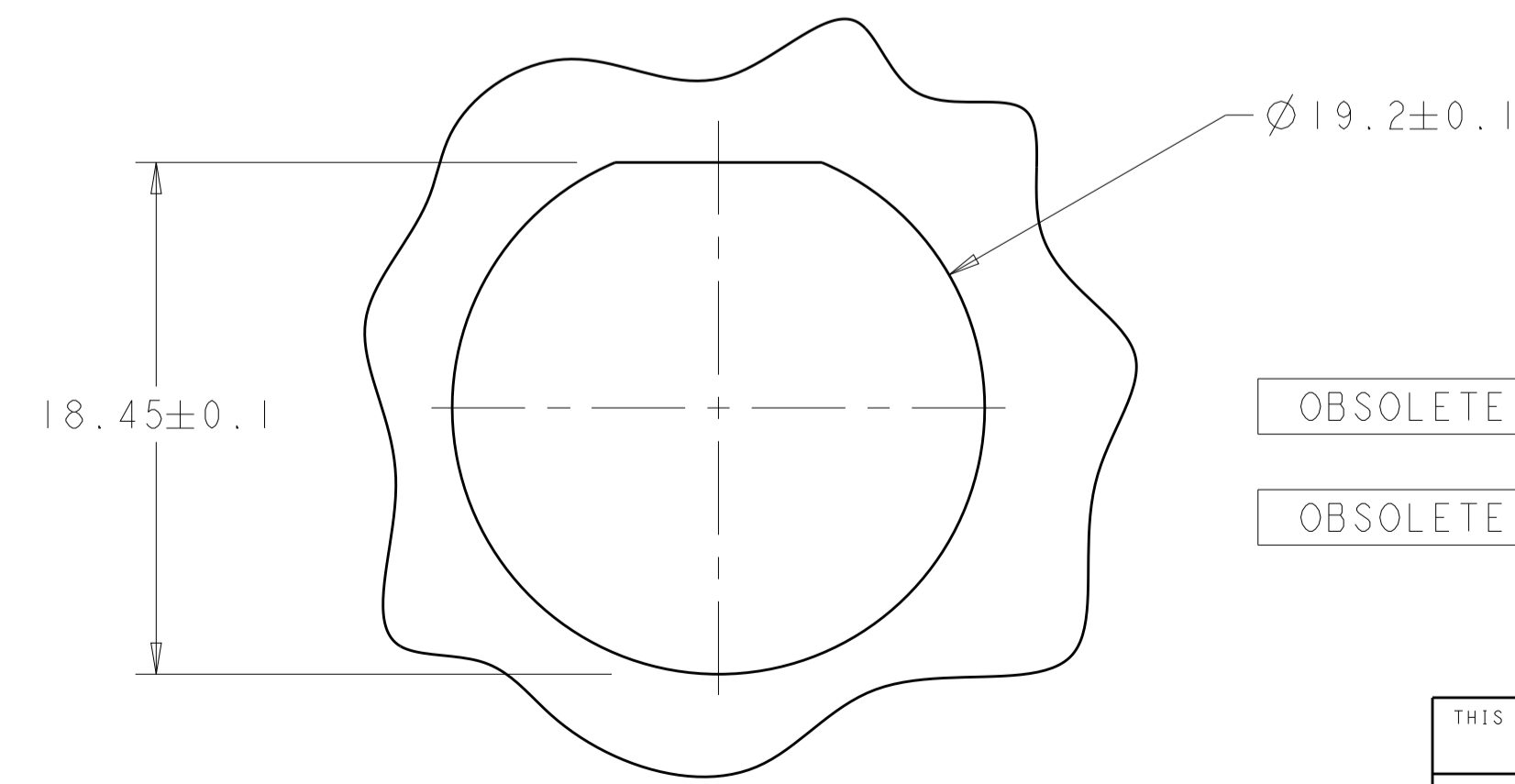
SEAL, PERIPHERAL; QTY-1
 MATERIAL: ELASTOMER, COLOR-GRAY



RETAINER, SEAL; QTY-1
 MATERIAL: THERMOPLASTIC, COLOR-BLACK

SECTION X-X

1. CONNECTOR CAN BE FRONT OR REAR PANEL MOUNTED.
 2. MAX PANEL THICKNESS - 3.18



SUGGESTED PANEL CUTOUT 2

OBSOLETE	YELLOW	Ø 0.75	135°	1445823-04
	NATURAL	Ø 1.5	115°	1445823-03
OBSOLETE	NATURAL	Ø 1.5	135°	1445823-02
	YELLOW	Ø 0.75	115°	1445823-01
	SEAL, WIRE ENTRY COLOR	Ø X REF	K REF	PART NUMBER

THIS DRAWING IS A CONTROLLED DOCUMENT.		OWN SHANE WUEST 15OCT2001	TE Connectivity	
DIMENSIONS: mm		CHK G DOUTY 15OCT2001		
TOLERANCES UNLESS OTHERWISE SPECIFIED:		APVD H. WAKEEM 13JUN2003	NAME ASSEMBLY, RECEPTACLE, SIZE 11, 6 POSITION, PANEL MOUNT, SEALED, MINI CPC	
0 PLC ±		PRODUCT SPEC	SIZE CAGE CODE DRAWING NO RESTRICTED TO	
1 PLC ±0.13		APPLICATION SPEC	A100779C=1445823	
2 PLC ±		WEIGHT	SCALE 4:1 SHEET 1 OF 1 REV C	
3 PLC ±		CUSTOMER DRAWING		
4 PLC ±				
ANGLES ±				
FINISH				
MATERIAL SEE CALLOUT				

Mouser Electronics

Authorized Distributor

Click to View Pricing, Inventory, Delivery & Lifecycle Information:

[TE Connectivity:](#)

[1445823-1](#)