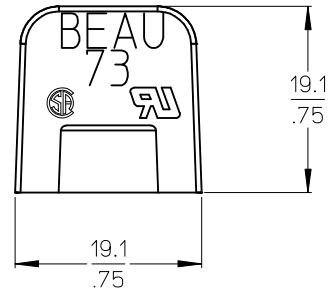
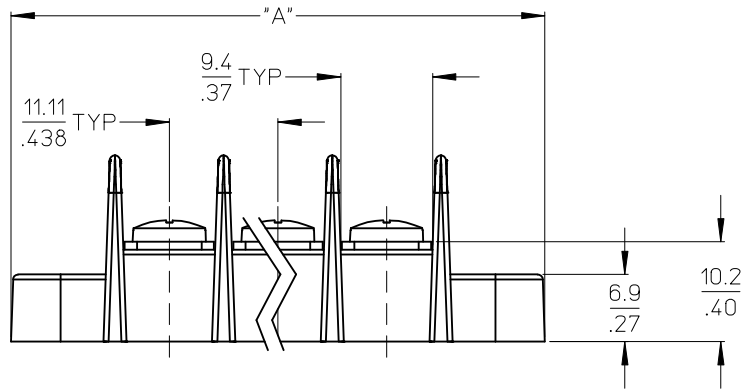


AUX. VIEW
SCALE 1:1



NOTES:

- 1. MATERIAL: SEE TABLE
- 2. FINISHES: SEE TABLE
- 3. PRODUCT SPECIFICATION: AS REQUIRED
- 4. "XX" REFERES TO NUMBER OF CIRCUITS
- 5. ROHS COMPLIANT

ITEM	QTY.	DESCRIPTION	MATERIAL	FINISH
5	"XX"	SCREW,#6-32X.250,PAN,PH-SL W/SQ WSHR (-50 OPT)	STEEL (B)	ZN, CLEAR CHROMATE
4	"XX"	SCREW,#6-32X.250,PAN,PHIL-SLOT (-49 OPT) (B)	BRASS	NICKEL PLATE
3	"XX"	SCREW,#6-32X.250,BHD,PHIL-SLOT (STD)	STEEL	ZN, CLEAR CHROMATE
2	"XX"	TERMINAL, CLOSED BACK, 6C	BRASS	TIN PLATE
1	1	SR BTS CB MO MTG	POLYESTER (PBT)	BLACK

ADD -49 & -50 OPT
 EC NO: WNA2009-0426
 2009/02/06
 DRWN: ENC INAS
 2009/02/10
 CHKD: CYORK
 2009/02/10
 APPR: JMACNEIL

QUALITY SYMBOLS
 ▽=0
 ▽=0

	GENERAL TOLERANCES (UNLESS SPECIFIED)	
	mm	INCH
4 PLACES	± ---	± ---
3 PLACES	± ---	± .005
2 PLACES	± 0.13	± .01
1 PLACE	± .3	± ---
ANGULAR ± 2 °		

DRAFT WHERE APPLICABLE
MUST REMAIN
WITHIN DIMENSIONS

DIMENSION STYLE
MM/IN

DRAWN BY DATE
JENCINAS 2008/03/20

CHECKED BY DATE
CYORK 2008/03/20

APPROVED BY DATE
JMACNEIL 2008/03/20

MATERIAL NO.
SEE CHART

SCALE
2:1

DESIGN UNITS
INCH

THIRD ANGLE PROJECTION

TITLE
**.438" SINGLE ROW PCB
 BARRIER TERMINAL STRIP**

MATERIAL NO.
SEE CHART

DOCUMENT NO.
SD-38730-005

SHEET NO.
1 OF 2

THIS DRAWING CONTAINS INFORMATION THAT IS PROPRIETARY TO MOLEX INCORPORATED AND SHOULD NOT BE USED WITHOUT WRITTEN PERMISSION

NUMBER OF CIRCUITS	"A" DIM.	"B" DIM.	"C" DIM.	MATERIAL NO. (STD)	MATERIAL NO. (-49X) (B)	MATERIAL NO. (-50X) (B)
02	43.51 [1.713]	11.12 [.438]	33.35 [1.313]	387300102	387300702	387301302
03	54.62 [2.150]	22.21 [.874]	44.50 [1.752]	387300103	387300703	387301303
04	65.73 [2.587]	33.30 [1.311]	55.63 [2.190]	387300104	387300704	387301304
05	76.84 [3.024]	44.39 [1.748]	66.75 [2.628]	387300105	387300705	387301305
06	87.95 [3.461]	55.48 [2.185]	77.88 [3.066]	387300106	387300706	387301306
07	99.06 [3.898]	66.58 [2.622]	89.00 [3.504]	387300107	387300707	387301307
08	110.17 [4.335]	77.66 [3.059]	100.13 [3.942]	387300108	387300708	387301308
09	121.28 [4.772]	88.75 [3.496]	111.25 [4.380]	387300109	387300709	387301309
10	132.39 [5.209]	99.84 [3.933]	122.38 [4.818]	387300110	387300710	387301310
11	143.50 [5.646]	110.94 [4.370]	133.50 [5.256]	387300111	387300711	387301311
12	154.61 [6.083]	122.02 [4.807]	144.63 [5.694]	387300112	387300712	387301312
13	165.72 [6.520]	133.12 [5.244]	155.75 [6.132]	387300113	387300713	387301313
14	176.83 [6.957]	144.20 [5.681]	166.88 [6.570]	387300114	387300714	387301314
15	187.94 [7.394]	155.30 [6.118]	178.00 [7.008]	387300115	387300715	387301315
16	199.05 [7.831]	166.38 [6.555]	189.13 [7.446]	387300116	387300716	387301316
17	210.16 [8.268]	177.48 [6.992]	200.25 [7.884]	387300117	387300717	387301317
18	221.27 [8.705]	188.56 [7.429]	211.38 [8.322]	387300118	387300718	387301318
19	232.38 [9.142]	199.65 [7.866]	222.50 [8.760]	307300119	307300719	307301319
20	243.49 [9.579]	210.74 [8.303]	233.63 [9.198]	387300120	387300720	387301320
21	254.60 [10.016]	221.84 [8.740]	244.75 [9.636]	387300121	387300721	387301321
22	265.71 [10.453]	232.92 [9.177]	255.88 [10.074]	387300122	387300722	387301322
23	276.82 [10.890]	244.02 [9.614]	267.00 [10.512]	387300123	387300723	387301323
24	287.93 [11.327]	255.10 [10.051]	278.13 [10.950]	387300124	387300724	387301324
25	299.04 [11.764]	266.20 [10.488]	289.26 [11.388]	387300125	387300725	387301325
26	310.15 [12.201]	277.49 [10.925]	300.38 [11.826]	387300126	387300726	387301326

SEE SHEET ONE EC NO: WNA2009-0426 DRAWN: JENCINAS 2009/02/06 CHKD: CYORK 2009/02/10 APPR: JMACNEIL 2009/02/10	QUALITY SYMBOLS ▽=0 ▽=0	GENERAL TOLERANCES (UNLESS SPECIFIED)		DIMENSION STYLE MM/IN	SCALE 2:1	DESIGN UNITS INCH	THIRD ANGLE PROJECTION	
		4 PLACES ± --- ± --- 3 PLACES ± --- ± .005 2 PLACES ± 0.13 ± .01 1 PLACE ± .3 ± ---	DRAWN BY JENCINAS	DATE 2008/03/20	TITLE .438" SINGLE ROW PCB BARRIER TERMINAL STRIP			
		ANGULAR ± 2 °	CHECKED BY CYORK	DATE 2008/03/20				
		DRAFT WHERE APPLICABLE MUST REMAIN WITHIN DIMENSIONS	APPROVED BY JMACNEIL	DATE 2008/03/20	MOLEX INCORPORATED DOCUMENT NO. SD-38730-005			
SEE CHART	MATERIAL NO.	SHEET NO. 2 OF 2						

Mouser Electronics

Authorized Distributor

Click to View Pricing, Inventory, Delivery & Lifecycle Information:

[Molex:](#)

[38730-0725](#)