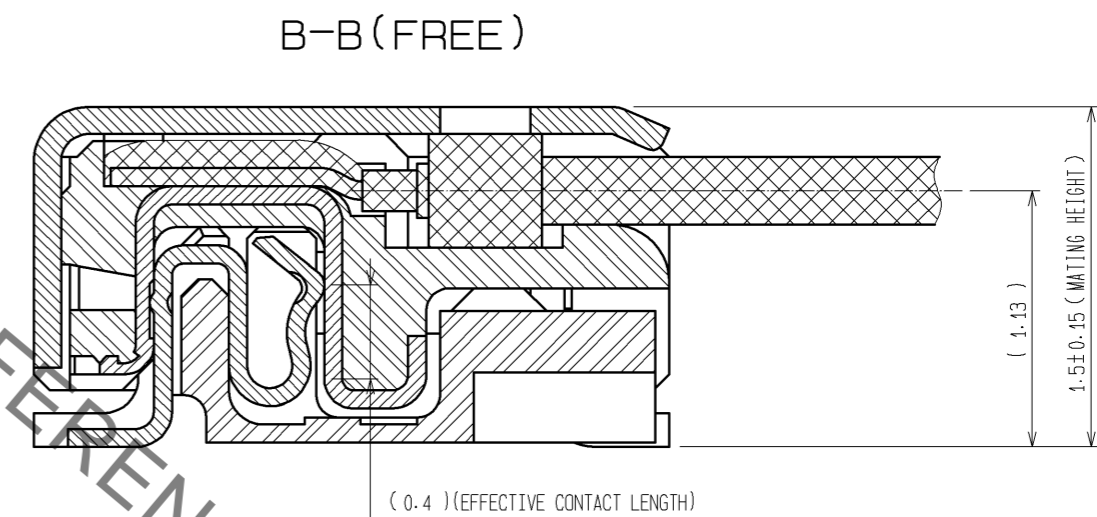
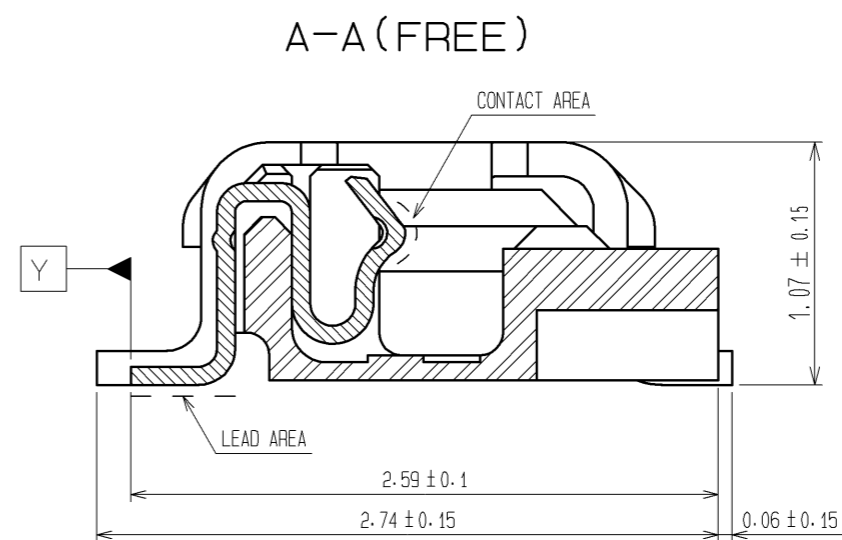
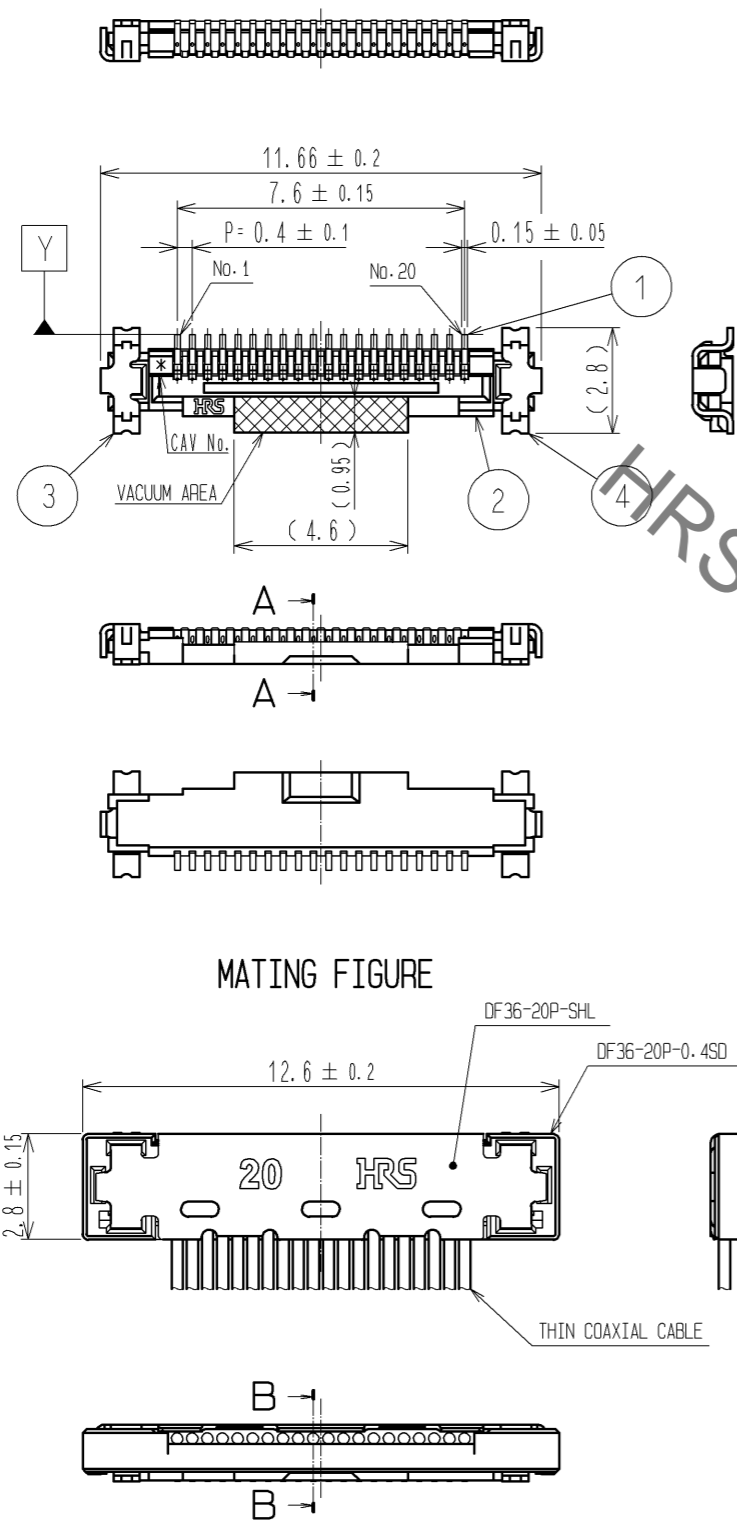


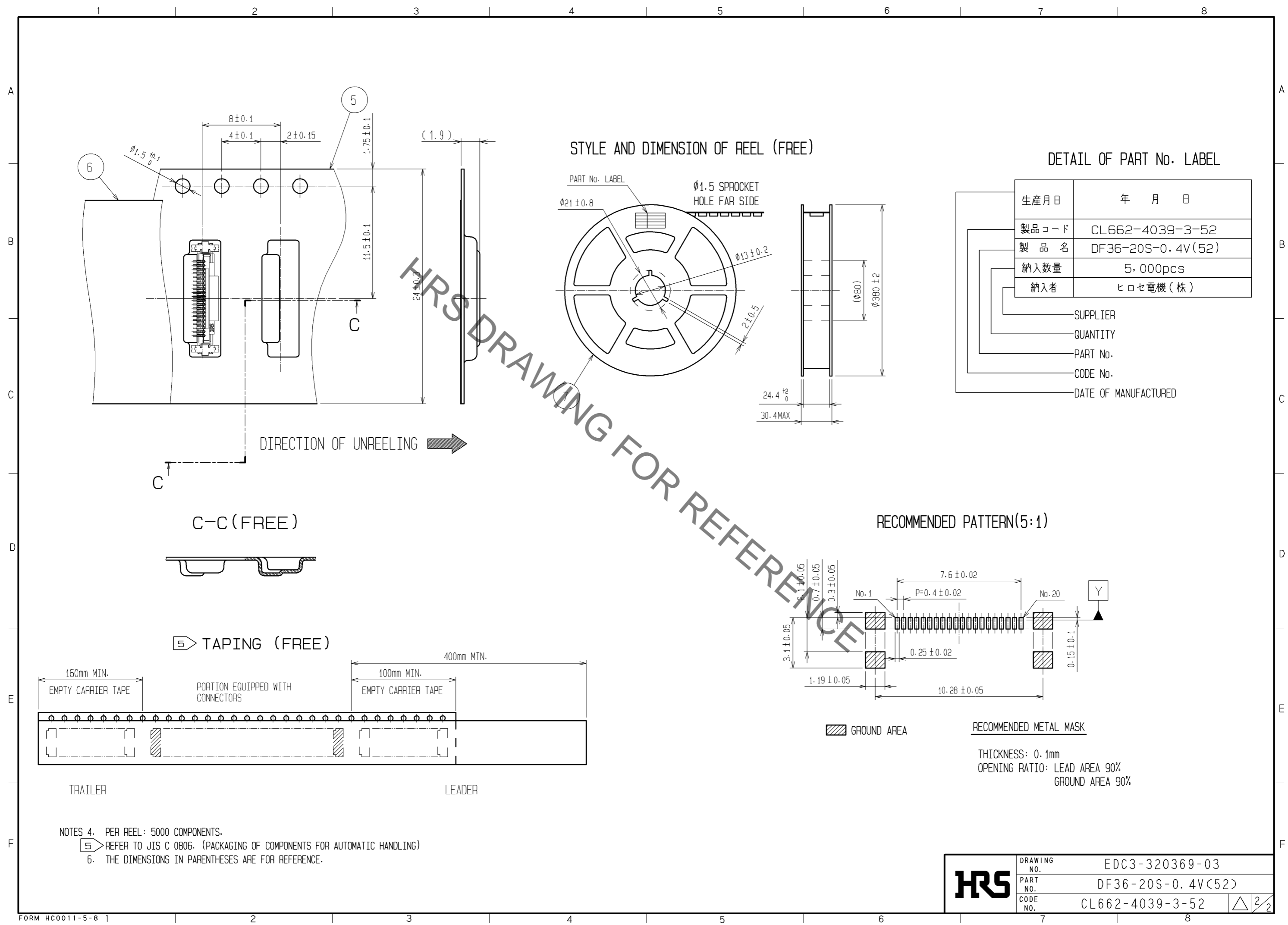
Jan.1.2021 Copyright 2021 HIROSE ELECTRIC CO., LTD. All Rights Reserved.
In case of consideration for using Automotive equipment / device which demand high reliability, kindly contact our sales window correspondents.



- NOTES
1. LEAD CO-PLANARITY SHALL BE 0.1mm MAX.
 2. STIFFENER IS REQUIRED FOR MOUNTING ONTO FPC IN ORDER TO AVOID STRESS BY FPC SLACKING TO MOUNTED CONNECTOR.
 3. UNMATING SHALL BE DONE WITH THE SPECIFIC EXTRACTION TOOL.

3	PHOSPHOR BRONZE	WHOLE AREA : Au PLATING 0.1μm min UNDER PLATING : Ni PLATING 2μm min	7	PS	BLACK
2	LCP	UL94V-0 . BLACK	6	POLYESTER	CLEAR
1	PHOSPHOR BRONZE	CONTACT AREA : Au PLATING 0.3μm min LEAD AREA : Au PLATING 0.1μm min UNDER PLATING : Ni PLATING 2μm min	5	PS	CLEAR
NO.	MATERIAL	FINISH . REMARKS	NO.	MATERIAL	FINISH . REMARKS
UNITS mm		SCALE 5 : 1	COUNT 	DESCRIPTION OF REVISIONS	DESIGNED
HRS HIROSE ELECTRIC CO., LTD.		APPROVED : TS. SAKATA 10.10.05	DRAWING NO. EDC3-320369-03		CHECKED
		CHECKED : HS. OZAWA 10.10.05	PART NO. DF36-20S-0.4V(52)		DATE
		DESIGNED : TP. MATSUMOTO 10.10.05	CODE NO. CL662-4039-3-52		
		DRAWN : TP. MATSUMOTO 10.10.05			

Jan.1.2021 Copyright 2021 HIROSE ELECTRIC CO., LTD. All Rights Reserved.
 In case of consideration for using Automotive equipment / device which demand high reliability, kindly contact our sales window correspondents.



STYLE AND DIMENSION OF REEL (FREE)

DETAIL OF PART No. LABEL

生産月日	年 月 日
製品コード	CL662-4039-3-52
製品名	DF36-20S-0.4V(52)
納入数量	5,000pcs
納入者	ヒロセ電機(株)

SUPPLIER
 QUANTITY
 PART No.
 CODE No.
 DATE OF MANUFACTURED

RECOMMENDED PATTERN(5:1)

RECOMMENDED METAL MASK
 THICKNESS: 0.1mm
 OPENING RATIO: LEAD AREA 90%
 GROUND AREA 90%

NOTES 4. PER REEL: 5000 COMPONENTS.
 5 REFER TO JIS C 0806. (PACKAGING OF COMPONENTS FOR AUTOMATIC HANDLING)
 6. THE DIMENSIONS IN PARENTHESES ARE FOR REFERENCE.

HRS	DRAWING NO.	EDC3-320369-03
	PART NO.	DF36-20S-0.4V(52)
	CODE NO.	CL662-4039-3-52
		△ 2/2