

SPECIFICATION

- Part No. : **FW.80.SMA.M**
- Product Name : **Meteor** 169MHz 0dBi Flexible Whip Monopole
Omni-Directional Antenna
SMA Male connector
- Feature : IP67 Housing
1/4 Wavelength
Robust but Flexible Inner Steel Whip
High Efficiency Outdoor Antenna
Advanced RF Design and Materials



1. Introduction

The Meteor FW.80 is a 0dBi 169MHz ISM band 1/4 wavelength monopole flexible whip antenna with omni-directional pattern optimized in the azimuth for wide coverage range in typical 169 MHz applications such as Wireless M-Bus metering. It also finds its usage in remote asset monitoring applications, alarms, paging systems and private mobile radio services.

The Meteor has a IP67 housing. The antenna, like all low frequency monopole antennas needs to be mounted to a metal plate to radiate.

For a waterproof integration to a metal box a waterproof panel mount SMA connector or cable assembly can be provided. TNC and N-type antenna versions are also available.

This whip is made up of a flexible inner steel core covered by TPU so extremely resistant to collisions and maintaining its original shape and RF performance.

Customized frequency and gain versions can be supplied.

2. Specification Table

Meteor FW.80	
Frequency (MHz)	169
Peak Gain (dBi) *	0dBi
Average Gain (dBi) *	-3.9
Efficiency (%) *	40%
Impedance (Ω)	50
Polarization	Linear
Radiation Pattern	Omnidirectional
Input Power(W)	50
MECHANICAL	
Dimensions (mm)	353x ϕ 16
Base Diameter (mm)	ϕ 16
Whip Diameter (mm)	ϕ 4
Casing	ABS
Connector	SMA(M)
ENVIRONMENTAL	
Temperature Range	-40°C to 85°C
Humidity	Non-condensing 65°C 95% RH

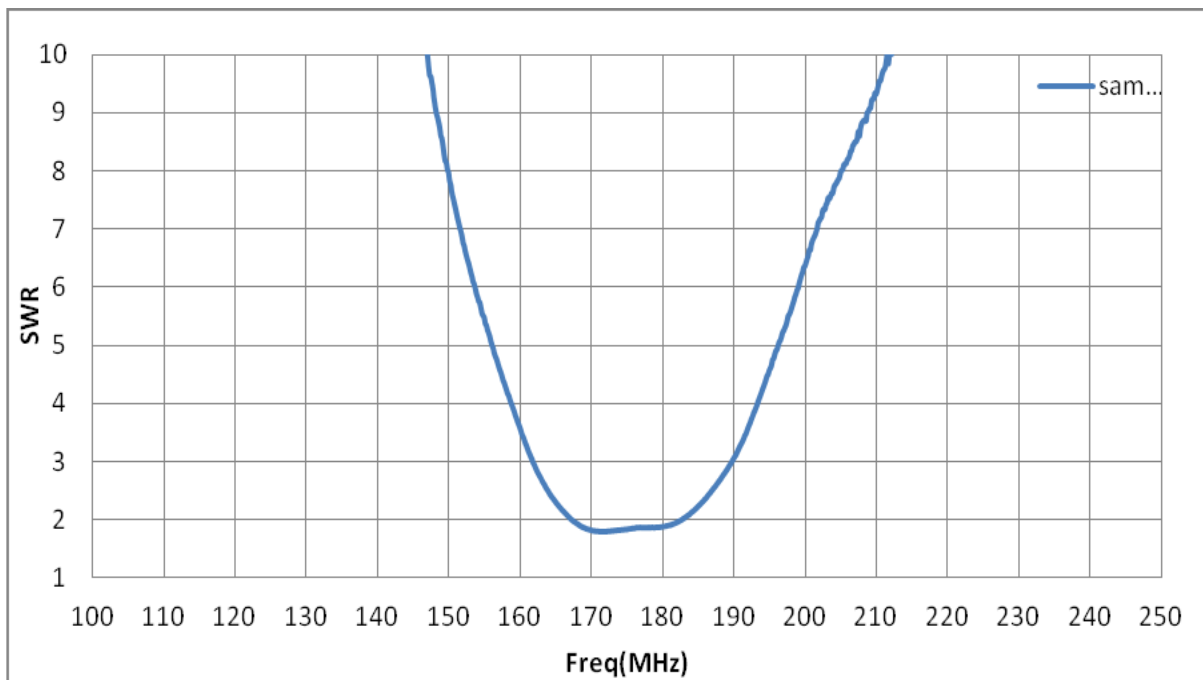
* For low frequency antennas these parameters can only be estimated using RF formula calculation, simulation or rough field test comparisons with large benchmark antennas.

3. Antenna Characteristics

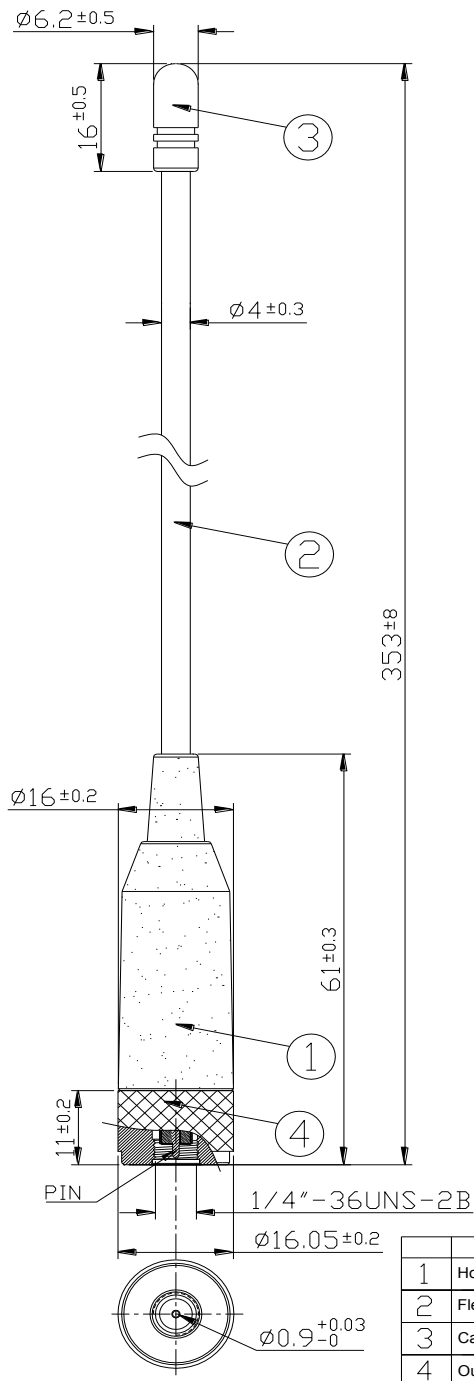
3.1 Antenna setup

Antenna is placed on metal ground 30x30cm

3.2 SWR (on metal ground plane 30x30cm)

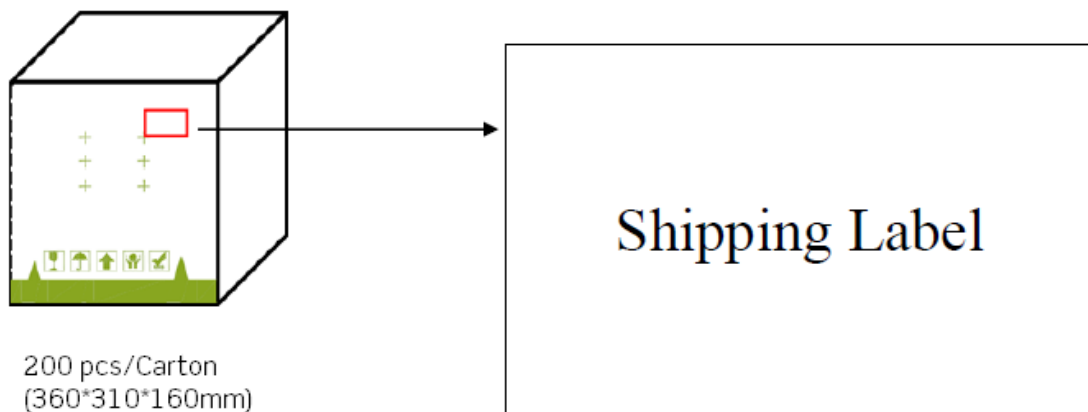
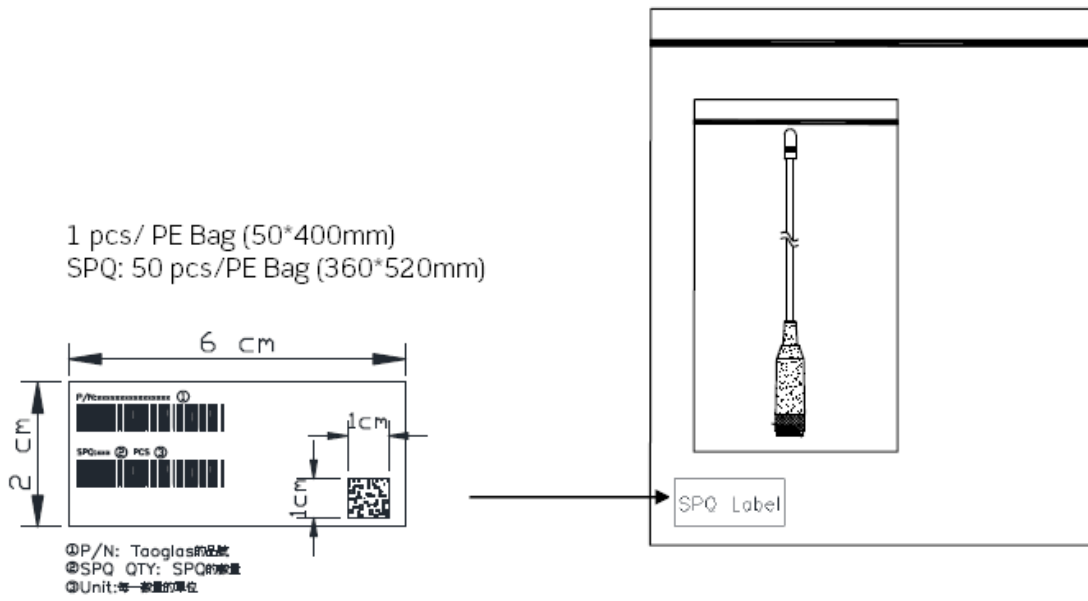


4. Drawing



	Name	P/N	Material	Finish	QTY
1	Housing	000111K0600XXA	ABS	Black	1
2	Flexible Whip	001111K0000XXA	Steel+PE Jacket	Black	1
3	Cap	000711C0000XXA	ABS	Black	1
4	Outer Body SMA(M)	000611B0000XXA	Brass	Black	1

5. Packaging





Taoglas makes no warranties based on the accuracy or completeness of the contents of this document and reserves the right to make changes to specifications and product descriptions at any time without notice. Taoglas reserves all rights to this document and the information contained herein.

Reproduction, use or disclosure to third parties without express permission is strictly prohibited.

Copyright © Taoglas Ltd.

Mouser Electronics

Authorized Distributor

Click to View Pricing, Inventory, Delivery & Lifecycle Information:

[Taoglas:](#)

[FW.80.SMA.M](#)