

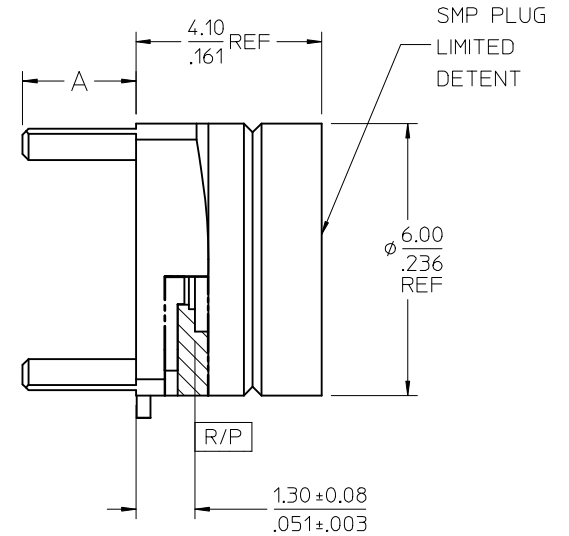
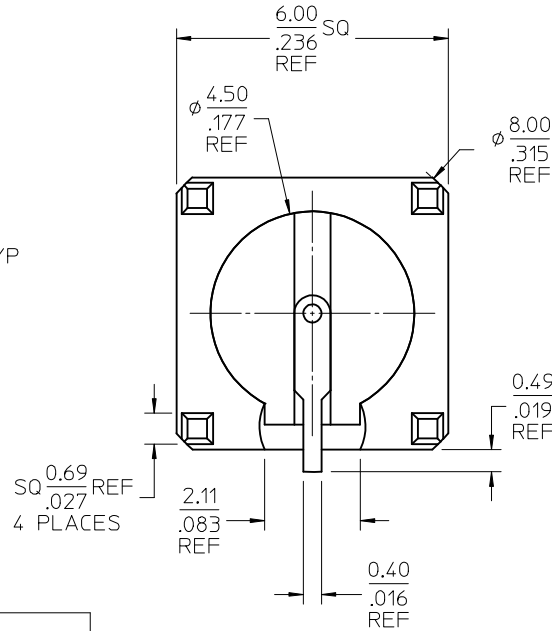
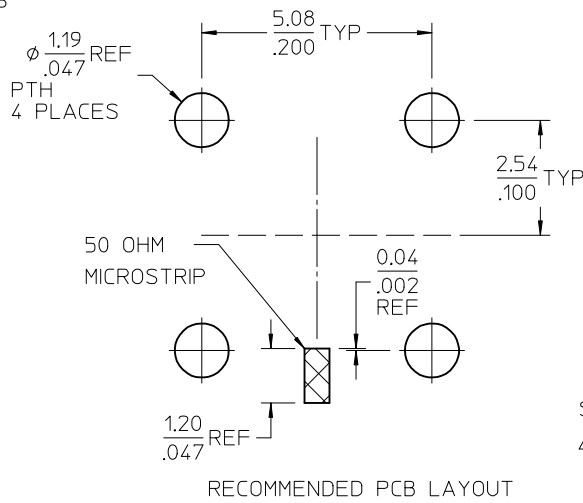
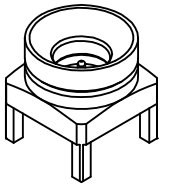
MATERIALS AND FINISHES:

BODY: BRASS
 PLATED: GOLD (8μ-in MIN)
 OVER NICKEL (80μ-in MIN)

CONTACT: BRASS
 PLATED: GOLD (30μ-in MIN)
 OVER NICKEL (100μ-in MIN)

INSULATOR: PEEK OR LCP

TAPE AND REEL: SEE SHEET 2



73415-3317	.067 / 1.70	ONE PER BAG (73415-3313)
73415-3316	.098 / 2.50	ONE PER BAG (73415-3311)
73415-3315	.135 / 3.43	TRAY PACK (73415-3314)
73415-3314	.135 / 3.43	TAPE AND REEL (750 PARTS PER REEL)
73415-3313	.067 / 1.70	TRAY PACK (73415-3312)
73415-3312	.067 / 1.70	TAPE AND REEL (750 PARTS PER REEL)
73415-3311	.098 / 2.50	TRAY PACK (73415-3310)
73415-3310	.098 / 2.50	TAPE AND REEL (750 PARTS PER REEL)
PART NO.	IN / MM	PACKAGING
	DIM A (REF)	

PS-89675-3320	PRODUCT SPECIFICATION
MIL-STD-348B, FIG. 326.3	INTERFACE SMP LD
SPECIFICATION	DESCRIPTION

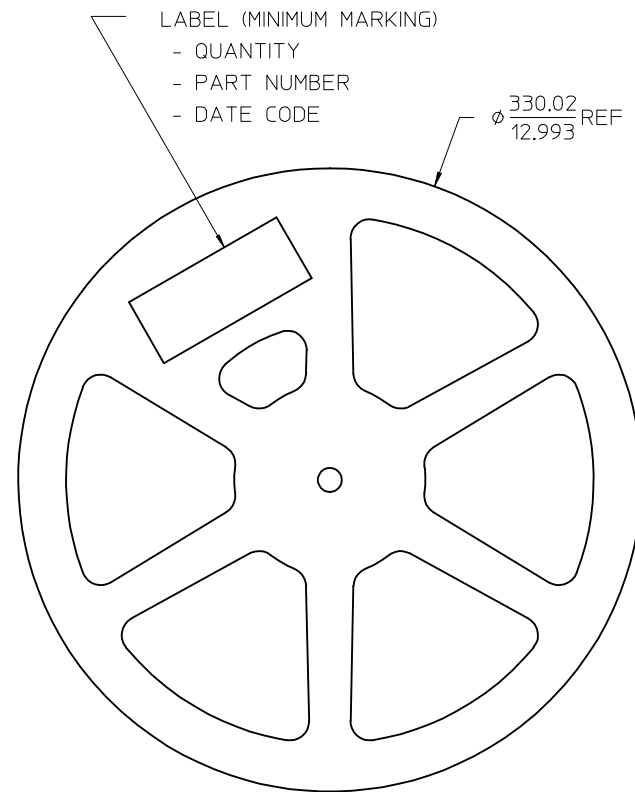
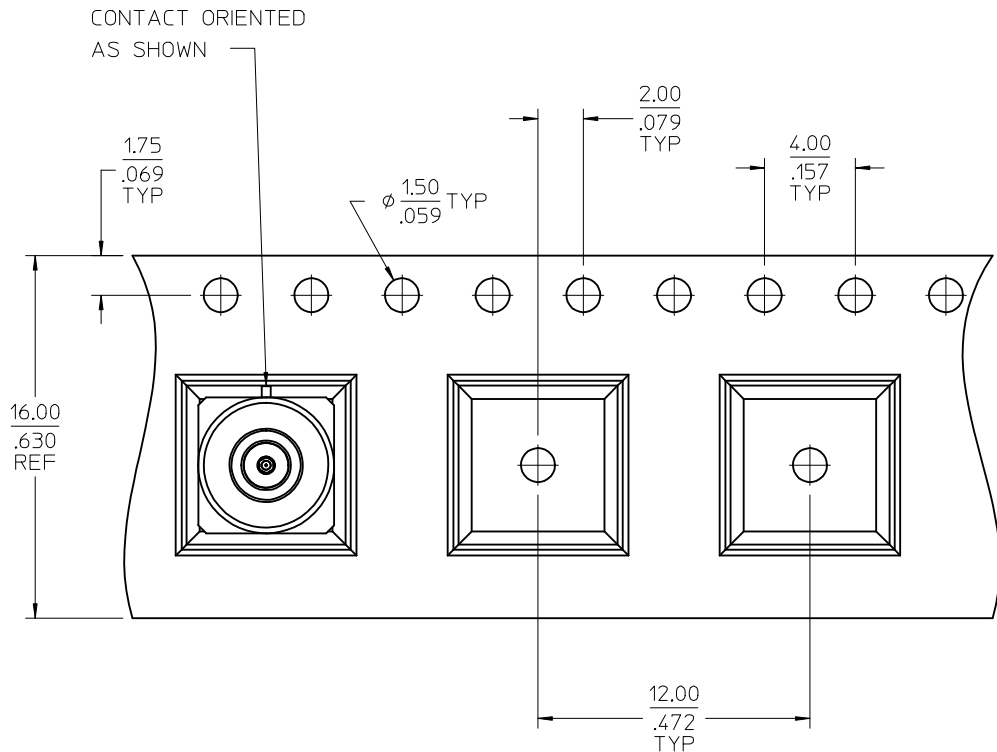
CHG: ADD TOLERANCE TO DIM 1.30/.051 IN E2 ZONE. UPD MATERIALS AND FINISHES NOTE. ADD ISO VIEW. EC NO: URF2017-0403 DRWINAPRAKASH01 2017/05/31 CHKD:888 2017/05/31 APPR:AROBERTSON 2017/06/29

QUALITY SYMBOLS	DESCRIPTION
▽=0	
▽=0	
▽=0	

GENERAL TOLERANCES (UNLESS SPECIFIED)	
mm	INCH
4 PLACES ± .25	± .010
3 PLACES ± .25	± .010
2 PLACES ± .25	± .010
1 PLACE ± .25	± .010
0 PLACE ±	±
ANGULAR ± 2°	
DRAFT WHERE APPLICABLE MUST REMAIN WITHIN DIMENSIONS	

DIMENSION STYLE	
MM/IN	
DRAWN BY	DATE
JLEE02	2010/11/01
CHECKED BY	DATE
SSS	2010/11/05
APPROVED BY	DATE
JWIENER	2010/11/11
MATERIAL NO.	
SEE TABLE	
SIZE	C

SCALE	DESIGN UNITS	THIRD ANGLE PROJECTION
	METRIC	
TITLE		
SMP PLUG STRAIGHT PCB LIMITED DETENT, EWR-1359 SMP-P/PCB		
molex		
DOCUMENT NO.		SHEET NO.
SD-73415-331		1 OF 2
THIS DRAWING CONTAINS INFORMATION THAT IS PROPRIETARY TO MOLEX. INCORPORATED AND SHOULD NOT BE USED WITHOUT WRITTEN PERMISSION		



CHG: SEE SHEET 1
EC NO: URF2017-0403
DRW:APRAKASHO1 2017/05/31
CHKD:888 2017/05/31
APPR:AROBERTSON 2017/06/29

REV	DESCRIPTION
9	

QUALITY SYMBOLS	
	=0
	=0
	=0

GENERAL TOLERANCES (UNLESS SPECIFIED)	
	MM/IN
4 PLACES	\pm .010 / \pm .004
3 PLACES	\pm .010 / \pm .004
2 PLACES	\pm 0.25 / \pm .010
1 PLACE	\pm .010 / \pm .004
0 PLACE	\pm .010 / \pm .004

DIMENSION STYLE		SCALE	DESIGN UNITS	THIRD ANGLE PROJECTION
MM/IN			METRIC	
DRAWN BY	DATE	TITLE		
JLEE02	2010/11/01	SMP PLUG STRAIGHT PCB LIMITED DETENT, EWR-1359 SMP-P/PCB		
CHECKED BY	DATE	molex		
SSS	2010/11/05			
APPROVED BY	DATE	DOCUMENT NO.		
JW IENER	2010/11/11	SD-73415-331		
MATERIAL NO.		SHEET NO.		
SEE SHEET 1		2 OF 2		

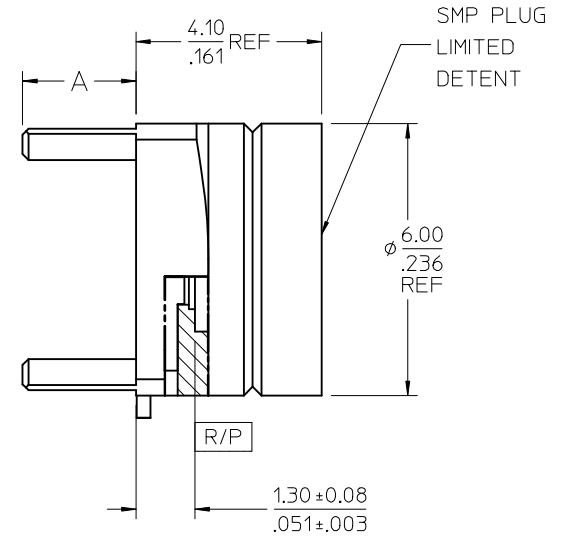
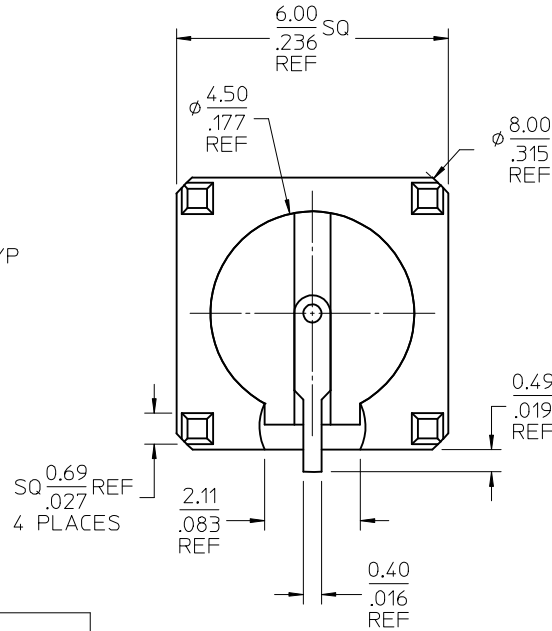
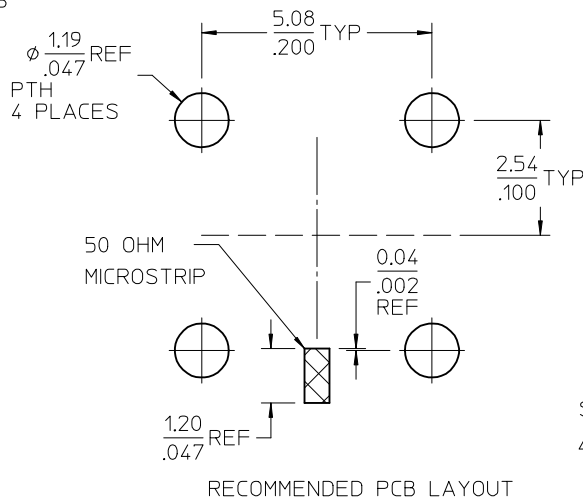
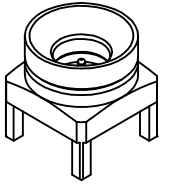
MATERIALS AND FINISHES:

BODY: BRASS
 PLATED: GOLD (8μ-in MIN)
 OVER NICKEL (80μ-in MIN)

CONTACT: BRASS
 PLATED: GOLD (30μ-in MIN)
 OVER NICKEL (100μ-in MIN)

INSULATOR: PEEK OR LCP

TAPE AND REEL: SEE SHEET 2



73415-3317	.067 / 1.70	ONE PER BAG (73415-3313)
73415-3316	.098 / 2.50	ONE PER BAG (73415-3311)
73415-3315	.135 / 3.43	TRAY PACK (73415-3314)
73415-3314	.135 / 3.43	TAPE AND REEL (750 PARTS PER REEL)
73415-3313	.067 / 1.70	TRAY PACK (73415-3312)
73415-3312	.067 / 1.70	TAPE AND REEL (750 PARTS PER REEL)
73415-3311	.098 / 2.50	TRAY PACK (73415-3310)
73415-3310	.098 / 2.50	TAPE AND REEL (750 PARTS PER REEL)
PART NO.	IN / MM	PACKAGING
	DIM A (REF)	

PS-89675-3320	PRODUCT SPECIFICATION
MIL-STD-348B, FIG. 326.3	INTERFACE SMP LD
SPECIFICATION	DESCRIPTION

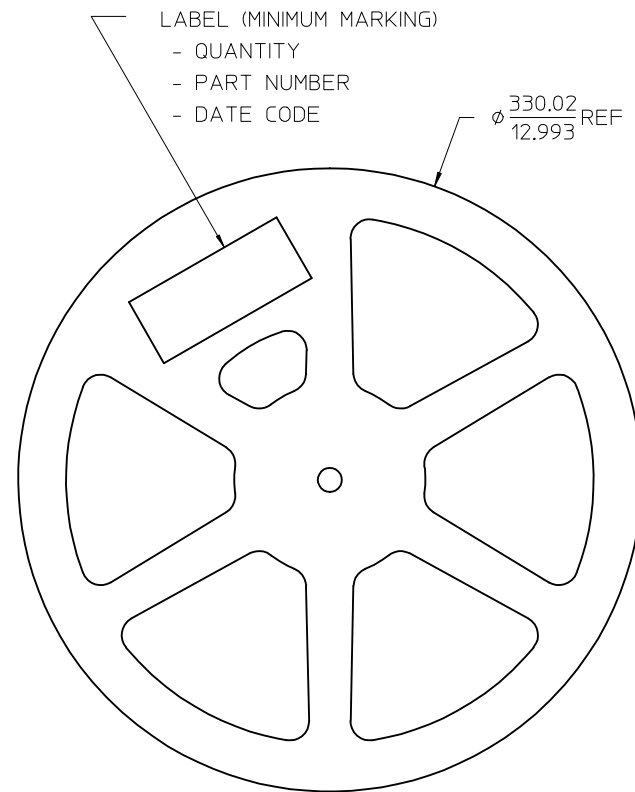
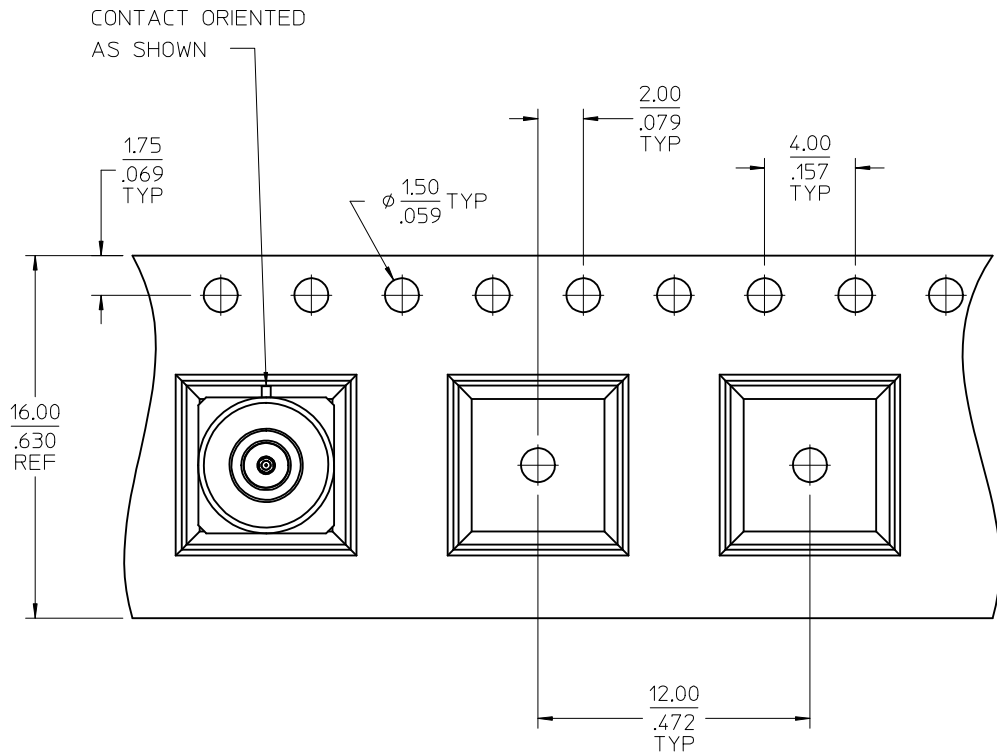
CHG: ADD TOLERANCE TO DIM 1.30/.051 IN E2 ZONE. UPD MATERIALS AND FINISHES NOTE. ADD ISO VIEW. EC NO: URF2017-0403 DRWINAPRAKASH01 2017/05/31 CHKD:888 2017/05/31 APPR:AROBERTSON 2017/06/29

QUALITY SYMBOLS	DESCRIPTION

GENERAL TOLERANCES (UNLESS SPECIFIED)	
mm	INCH
4 PLACES ± .25	± .010
3 PLACES ± .25	± .010
2 PLACES ± .25	± .010
1 PLACE ± .25	± .010
0 PLACE ± .25	± .010
ANGULAR ± 2°	
DRAFT WHERE APPLICABLE MUST REMAIN WITHIN DIMENSIONS	

DIMENSION STYLE	
MM/IN	
DRAWN BY	DATE
JLEE02	2010/11/01
CHECKED BY	DATE
SSS	2010/11/05
APPROVED BY	DATE
JWIENER	2010/11/11
MATERIAL NO.	
SEE TABLE	
SIZE	
C	

SCALE	DESIGN UNITS	THIRD ANGLE PROJECTION
	METRIC	
TITLE		
SMP PLUG STRAIGHT PCB LIMITED DETENT, EWR-1359 SMP-P/PCB		
molex		
DOCUMENT NO.	SD-73415-331	SHEET NO.
		1 OF 2
THIS DRAWING CONTAINS INFORMATION THAT IS PROPRIETARY TO MOLEX. INCORPORATED AND SHOULD NOT BE USED WITHOUT WRITTEN PERMISSION		



CHG: SEE SHEET 1	QUALITY SYMBOLS
EC NO: URF2017-0403	$\nabla = 0$
DRW: APRAKASHO1 2017/05/31	$\nabla = 0$
CHKD: 888 2017/05/31	$\nabla = 0$
APPR: AROBERTSON 2017/06/29	
REV	DESCRIPTION
C9	

GENERAL TOLERANCES (UNLESS SPECIFIED)	
	mm INCH
4 PLACES	\pm .10 \pm .004
3 PLACES	\pm .125 \pm .005
2 PLACES	\pm 0.25 \pm .010
1 PLACE	\pm .50 \pm .020
0 PLACE	\pm .75 \pm .030
ANGULAR \pm 2°	
DRAFT WHERE APPLICABLE MUST REMAIN WITHIN DIMENSIONS	

DIMENSION STYLE	
MM/IN	
DRAWN BY	DATE
JLEE02	2010/11/01
CHECKED BY	DATE
SSS	2010/11/05
APPROVED BY	DATE
JWIENER	2010/11/11
MATERIAL NO.	
SEE SHEET 1	

SCALE	DESIGN UNITS	THIRD ANGLE PROJECTION
	METRIC	
TITLE		
SMP PLUG STRAIGHT PCB LIMITED DETENT, EWR-1359 SMP-P/PCB		
molex		
DOCUMENT NO.	SHEET NO.	
SD-73415-331	2 OF 2	
THIS DRAWING CONTAINS INFORMATION THAT IS PROPRIETARY TO MOLEX INCORPORATED AND SHOULD NOT BE USED WITHOUT WRITTEN PERMISSION		