

THIS DRAWING IS UNPUBLISHED.

RELEASED FOR PUBLICATION

20

© COPYRIGHT 20

BY -

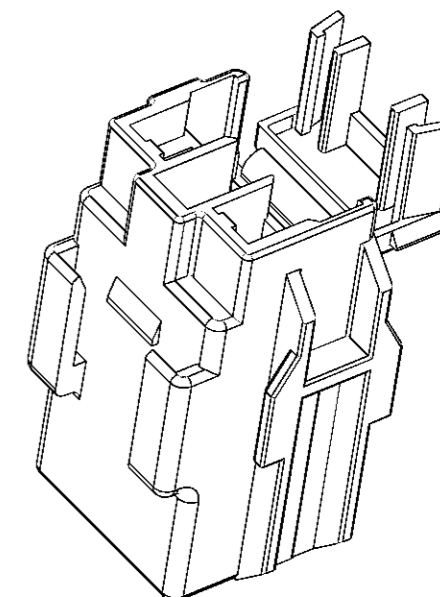
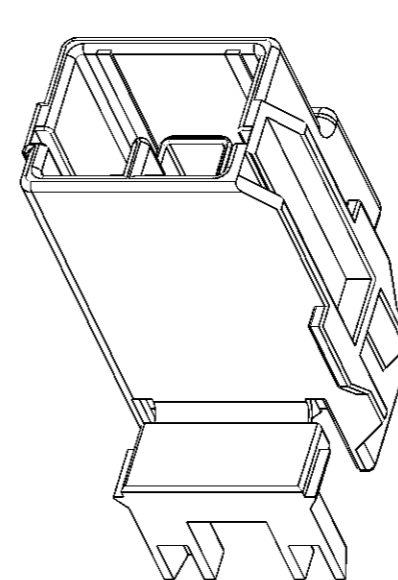
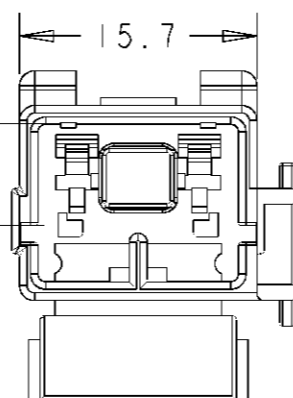
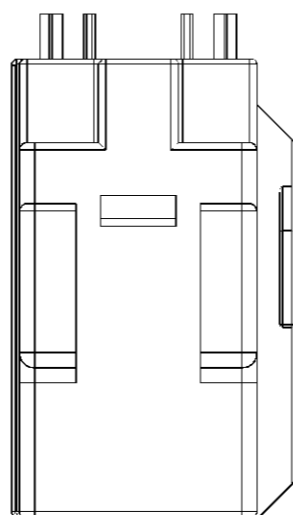
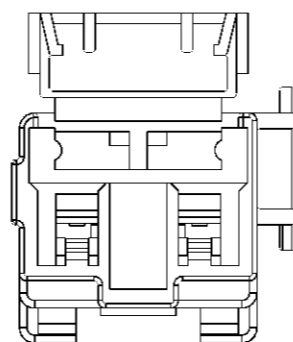
ALL RIGHTS RESERVED.

LOC  
E

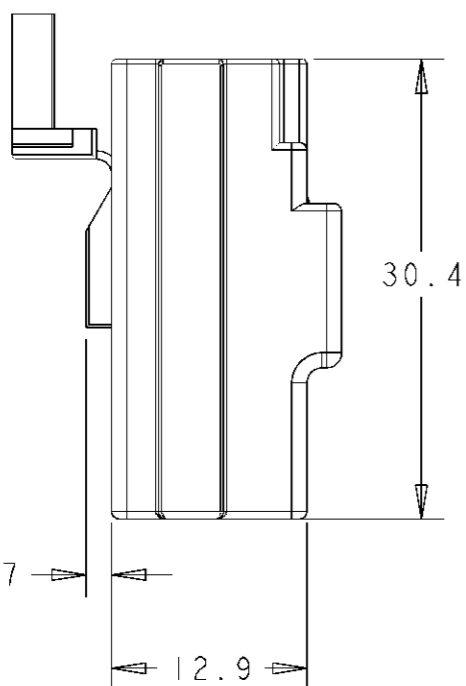
DIST  
B

REVISIONS

P	LTR	DESCRIPTION	DATE	DWN	APVD
G2		REVISED PER ECO-11-005150	28MAR11	RK	HMR



SCALE 2:1



DIM A

NOTES:

- 348794-5 MATES WITH 348793-5  
348794-4 MATES WITH 348793-4  
348794-3 MATES WITH 348793-3  
348794-2 MATES WITH 348793-2  
348794-1 MATES WITH 348793-1
- TAB FOR 0.5mm WIRE :
- SUITABLE BODY MOUNTING CLIP 345484-1  
SEE SHEET 2 FOR DETAILS
- DRAWING REVISION MARKED ON PRODUCT HOUSING

1.8 - 2.1MM	6.7	PALE YELLOW	348794-5
1.6 - 1.8MM	6.7	BRIGHT YELLOW	348794-4
1.8 - 2.1MM	4.6	BRIGHT YELLOW	348794-3
1.6 - 1.8MM	4.6	BLUE	348794-2
1.6 - 1.8MM	6.7	PALE YELLOW	348794-1
INSULATION DIA	DIM A	COLOUR	PART NO

DWN P. GAULTON 10/06/94		<b>STE</b> TE Connectivity	
CHK D. KUIPER-MOORE 09/01/96			
APVD R. SIMMONS 9/01/96		NAME 2 WAY SHORTING CONNECTOR TAB HOUSING	
PRODUCT SPEC 108-3371		-	
APPLICATION SPEC -		RESTRICTED TO -	
MATERIAL PA 66		SIZE A3	CAGE CODE 00779
FINISH -		DRAWING NO 348794	
TOLERANCES UNLESS OTHERWISE SPECIFIED:		SCALE 2/1	
0 PLC ±-		SHEET 1 OF 2	
1 PLC ±0.5		REV G2	
2 PLC ±0.5			
3 PLC ±0.5			
4 PLC ±-			
ANGLES ±2			
CUSTOMER DRAWING			

THIS DRAWING IS UNPUBLISHED.

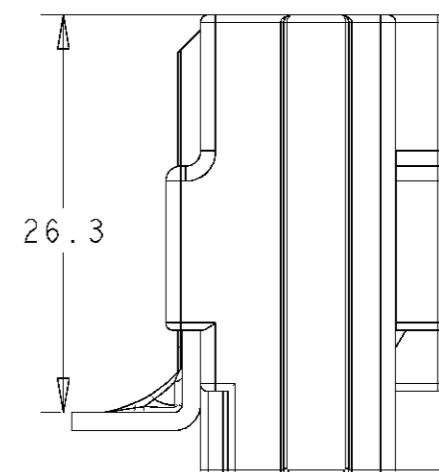
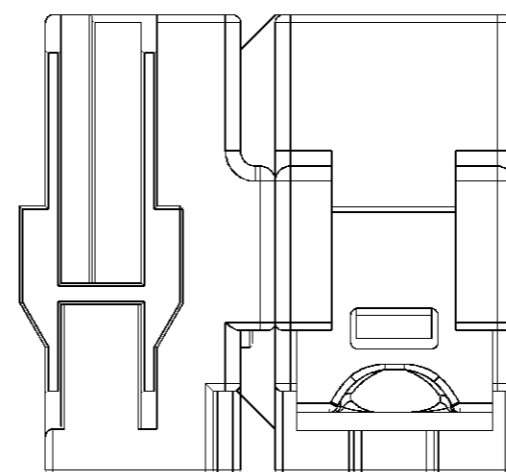
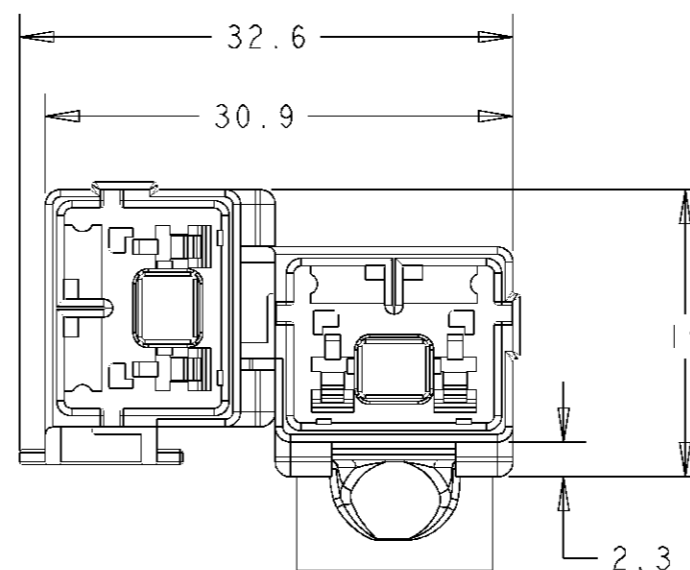
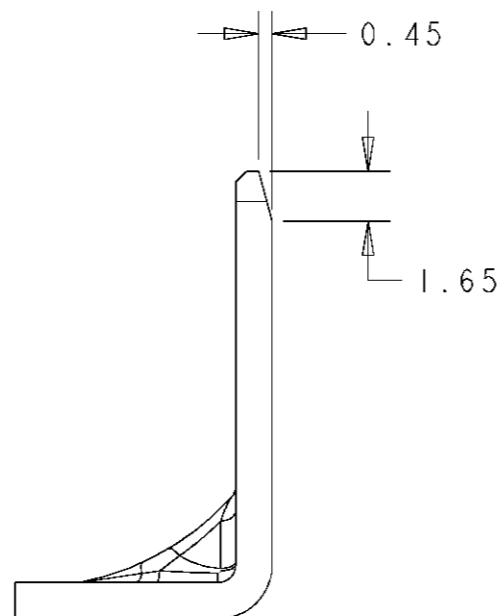
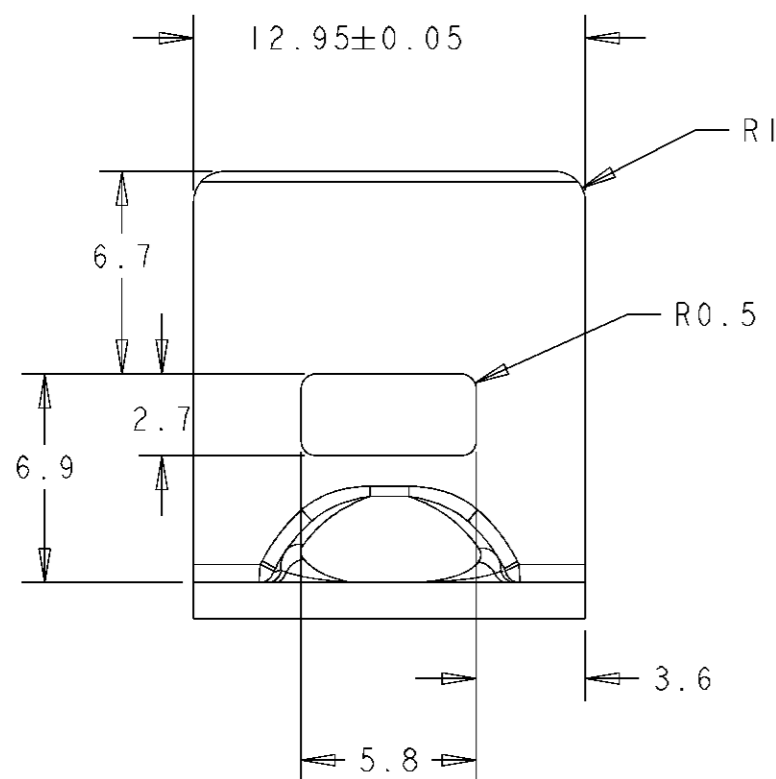
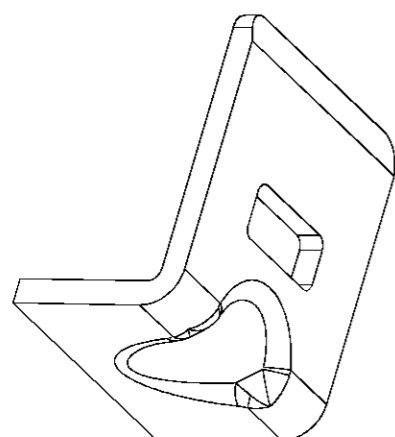
RELEASED FOR PUBLICATION

© COPYRIGHT

BY -

ALL RIGHTS RESERVED.

LOC	DIST	REVISIONS			
P	LTR	DESCRIPTION	DATE	DWN	APVD
E	B	-	SEE SHEET 1	-	-



MOUNTING TAB DETAILS

SCALE 4:1

MATERIAL: STEEL 1.15 - 1.25 THICK

DIMENSIONING OF STRENGTHENING RIB TO SUIT TOOL DESIGNER

VIEWS OF STACKED HOUSINGS MOUNTED ON TAB

SCALE 2:1

HOUSINGS SHOWN WITH ANTI-BACKOUTS IN FINAL POSITION

DWN P. GAULTON 10/10/94		<b>STE</b> TE Connectivity			
CHK D. KUIPER-MOORE 9-1-96					
APVD R. SIMMONS 9-1-96		NAME			
PRODUCT SPEC 108-3371		2 WAY SHORTING CONNECTOR TAB HOUSING MOUNTING DETAILS			
APPLICATION SPEC -		SIZE	CAGE CODE	DRAWING NO	RESTRICTED TO
MATERIAL PA 66		A3	00779	C-348794	-
FINISH -		SCALE 2/1		SHEET 2 OF 2	REV G2
CUSTOMER DRAWING					

DIMENSIONS: mm	
TOLERANCES UNLESS OTHERWISE SPECIFIED:	
0 PLC	±-
1 PLC	±0.5
2 PLC	±0.5
3 PLC	±0.5
4 PLC	±-
ANGLES	±2

# Mouser Electronics

Authorized Distributor

Click to View Pricing, Inventory, Delivery & Lifecycle Information:

[TE Connectivity:](#)

[348794-4](#)