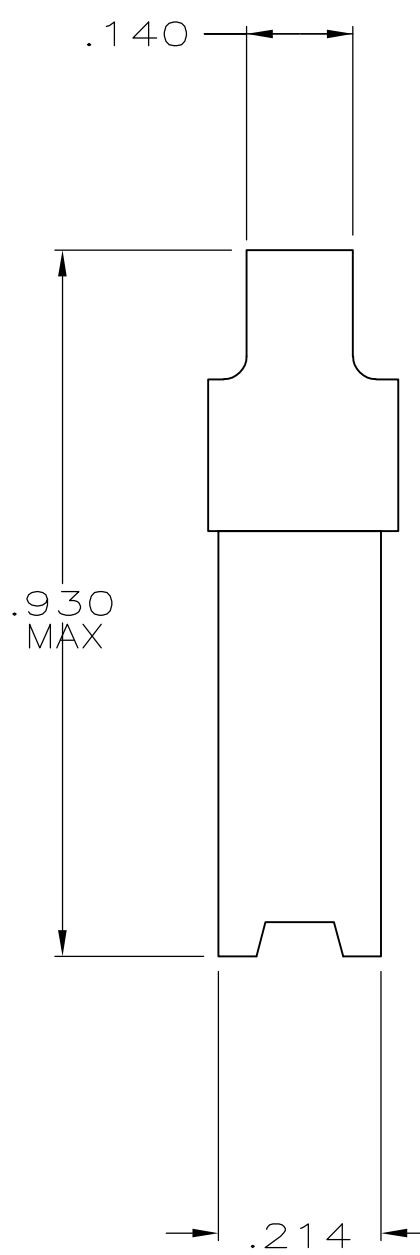
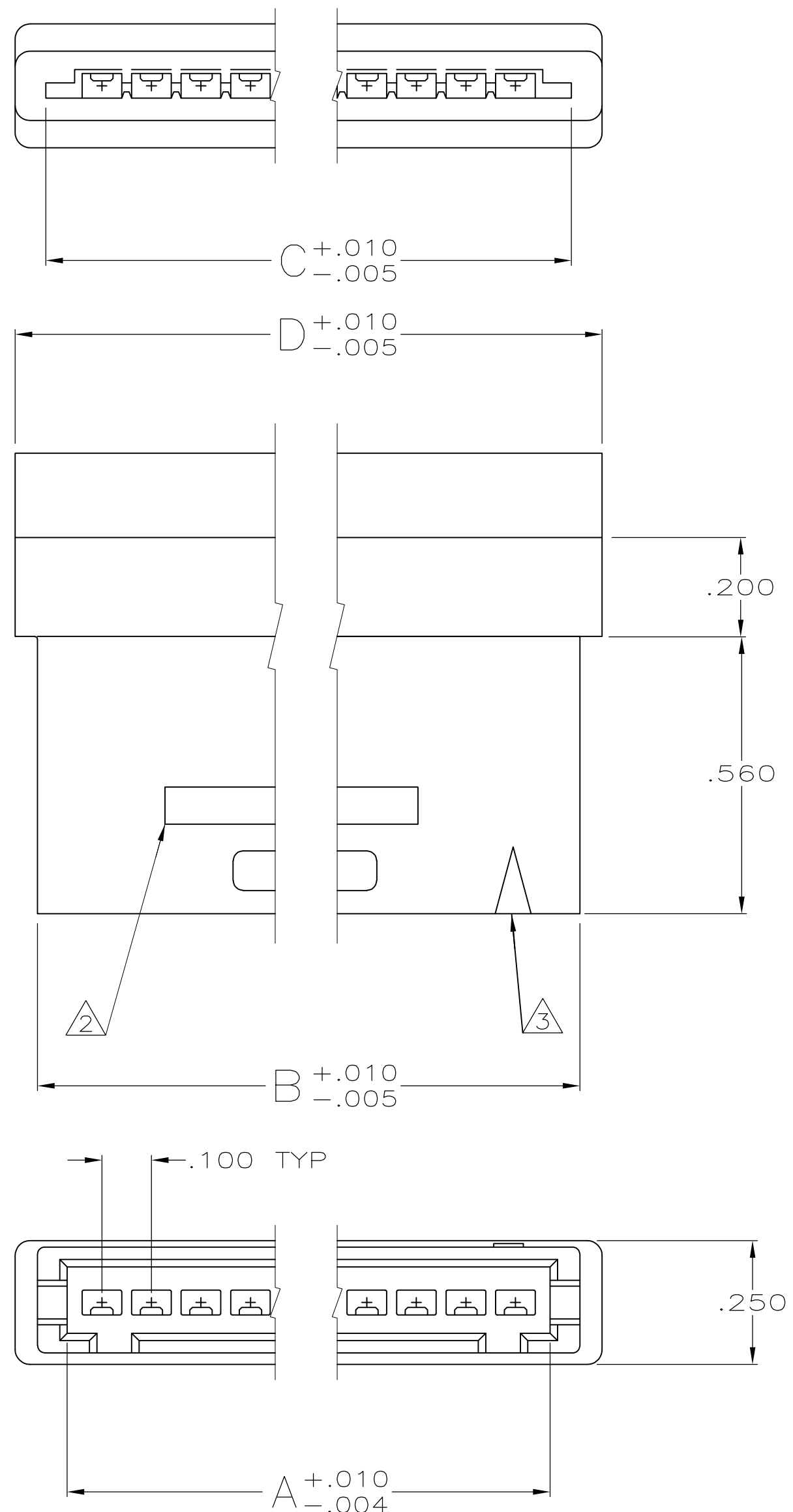
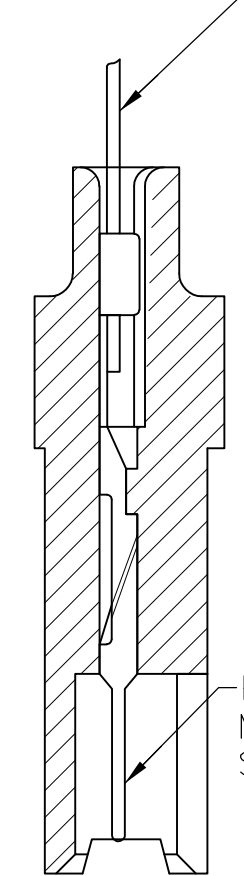


THIS DRAWING IS UNPUBLISHED. RELEASED FOR PUBLICATION  
 © COPYRIGHT - By - ALL RIGHTS RESERVED.

| LOC |     | DIST        |                           | REVISIONS |         |      |     |
|-----|-----|-------------|---------------------------|-----------|---------|------|-----|
| P   | LTR | DESCRIPTION |                           | DATE      | DWN     | APVD |     |
| AR  | 39  | V2          | REVISED PER ECO-11-004835 |           | 11MAR11 | RK   | HMR |



CABLE AND/OR WIRE SUPPLIED BY CUSTOMER



5 OBSOLETE

PIN CONTACTS MUST BE ORDERED SEPARATELY

CRIMPED CONTACT SHOWN FOR REFERENCE ONLY

|       |       |       |       |    |   |            |
|-------|-------|-------|-------|----|---|------------|
| 3.750 | 3.626 | 3.660 | 3.540 | 35 | 4 | 3-485893-3 |
| 3.650 | 3.526 | 3.560 | 3.440 | 34 | 4 | 3-485893-2 |
| 3.550 | 3.426 | 3.460 | 3.340 | 33 | 4 | 3-485893-1 |
| 3.450 | 3.326 | 3.360 | 3.240 | 32 | 4 | 3-485893-0 |
| 3.350 | 3.226 | 3.260 | 3.140 | 31 | 4 | 2-485893-9 |
| 3.250 | 3.126 | 3.160 | 3.040 | 30 | 4 | 2-485893-8 |
| 3.150 | 3.026 | 3.060 | 2.940 | 29 | 4 | 2-485893-7 |
| 3.050 | 2.926 | 2.960 | 2.840 | 28 | 4 | 2-485893-6 |
| 2.950 | 2.826 | 2.860 | 2.740 | 27 | 4 | 2-485893-5 |
| 2.850 | 2.726 | 2.760 | 2.640 | 26 | 4 | 2-485893-4 |
| 2.750 | 2.626 | 2.660 | 2.540 | 25 | 2 | 485893-3   |
| 2.650 | 2.526 | 2.560 | 2.440 | 24 | 4 | 2-485893-2 |
| 2.550 | 2.426 | 2.460 | 2.340 | 23 | 4 | 2-485893-1 |
| 2.450 | 2.326 | 2.360 | 2.240 | 22 | 4 | 2-485893-0 |
| 2.350 | 2.226 | 2.260 | 1.140 | 21 | 4 | 1-485893-9 |
| 2.250 | 2.126 | 2.160 | 2.040 | 20 |   | 1-485893-8 |
| 2.150 | 2.026 | 2.060 | 1.940 | 19 | 4 | 1-485893-7 |
| 2.050 | 1.926 | 1.960 | 1.840 | 18 |   | 1-485893-6 |
| 1.950 | 1.826 | 1.860 | 1.740 | 17 | 4 | 1-485893-5 |
| 1.850 | 1.726 | 1.760 | 1.640 | 16 |   | 1-485893-4 |
| 1.750 | 1.626 | 1.660 | 1.540 | 15 |   | 1-485893-3 |
| 1.650 | 1.526 | 1.560 | 1.440 | 14 |   | 1-485893-2 |
| 1.550 | 1.426 | 1.460 | 1.340 | 13 |   | 1-485893-1 |
| 1.450 | 1.326 | 1.360 | 1.240 | 12 |   | 1-485893-0 |
| 1.350 | 1.226 | 1.260 | 1.140 | 11 |   | 485893-9   |
| 1.250 | 1.126 | 1.160 | 1.040 | 10 |   | 485893-8   |
| 1.150 | 1.026 | 1.060 | .940  | 9  |   | 485893-7   |
| 1.050 | .926  | .960  | .840  | 8  |   | 485893-6   |
| .950  | .826  | .860  | .740  | 7  |   | 485893-5   |
| .850  | .726  | .760  | .640  | 6  |   | 485893-4   |
| .750  | .626  | .660  | .540  | 5  |   | 485893-3   |
| .650  | .526  | .560  | .440  | 4  |   | 485893-2   |
| .550  | .426  | .460  | .340  | 3  |   | 485893-1   |

SUPERSEDED BY 494032-2

- HOUSING WILL ACCOMMODATE FLEXIBLE FLAT CONDUCTOR CABLE .050 OR .062 WIDE CONDUCTORS ON .100 CENTERS AND/OR #32-22 AWG WIRE WITH INSULATION RANGE .025-.056 DIAMETER.
- AMP TRADEMARK MOLDED IN THIS AREA
- INDICATES FIRST POSITION
- OBSOLETE PART NUMBER
- OBSOLETE PARTS: OBSOLETE CIS STREAMLINING PER D.RENAUD/D.SINISI

| D | C | B | A | NO. OF POSN. | PART NUMBER |
|---|---|---|---|--------------|-------------|
|---|---|---|---|--------------|-------------|

THIS DRAWING IS A CONTROLLED DOCUMENT.

DWN KATE HELM 11/03/88  
 CHR D.ROCKER 3-6-89  
 APVD G.D.MILLER 3-6-89

TE Connectivity

NAME: HOUSING, PIN, W/DETENT SLOTS, .100, FFC

PRODUCT SPEC: -

APPLICATION SPEC: -

WEIGHT: -

MATERIAL: THERMOPLASTIC COLOR: BLACK

FINISH: -

SIZE: A2 CAGE CODE: 00779 DRAWING NO: C=485893

CUSTOMER DRAWING SCALE: 4:1 SHEET: 1 OF 1 REV: V2

# Mouser Electronics

Authorized Distributor

Click to View Pricing, Inventory, Delivery & Lifecycle Information:

[TE Connectivity:](#)

[1-485893-2](#)