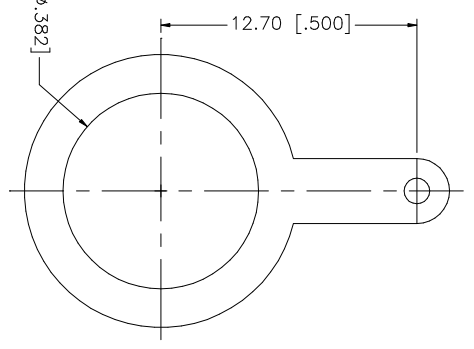
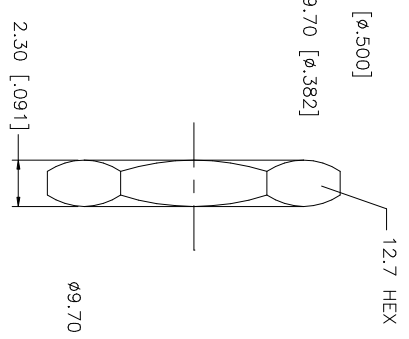
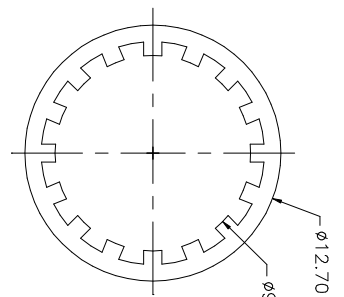
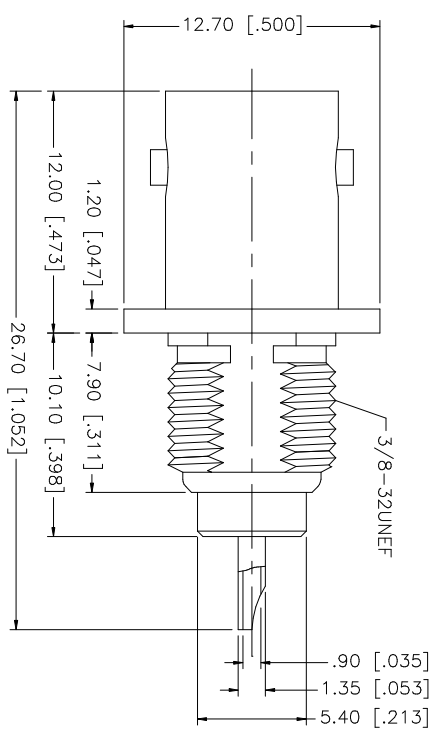
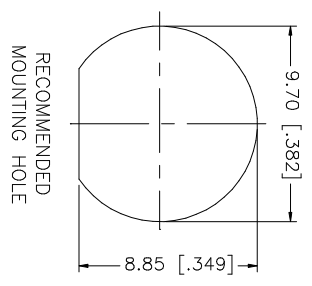


REV.	DATE	DESCRIPTION
NC	03/21/03	INITIAL RELEASE



QTY	FINISH	MATERIAL	DESCRIPTION
1	NICKEL	BRASS	SOLDER TAB
1	NICKEL	BRASS	HEX NUT
1	NICKEL	BRASS	LOCK WASHER
1	NATURAL	DELRIN	INSULATOR
1	GOLD	PHOS. BRONZE	CONTACT PIN
1	NICKEL	BRASS	BODY

APPROVALS	DATE
DRAWN G.R.S.	03/21/03
CHECKED	
ISSUED	

PART NO.	DESCRIPTION
112425	BNC BULKHEAD RECEPTACLE - 75 ohms

DO NOT SCALE DRAWING	CAD FILE	DWG. NO.	REV	SIZE	SCALE
	C:/112/112425.DWG	112425.DWG	NC	A	NA

Amphenol Connex

PART DESCRIPTION
BNC BULKHEAD RECEPTACLE - 75 ohms

PART NO. 112425

DO NOT SCALE DRAWING

UNLESS OTHERWISE SPECIFIED DIMENSIONS ARE IN MILLIMETERS. DIMENSIONS IN [] ARE IN INCHES AND FOR CUSTOMER REFERENCE ONLY.

UNLESS OTHERWISE SPECIFIED TOLERANCES FOR MILLIMETERS ARE:

0.5 - 8mm ± 0.20mm
8 - 30mm ± 0.40mm
30 - 120mm ± 0.50mm

UNLESS OTHERWISE SPECIFIED TOLERANCES FOR INCHES ARE:

.020 - .315 = ± 0.007"
.315 - 1.180 = ± 0.015"
1.180 - 4.724 = ± 0.020"

Mouser Electronics

Authorized Distributor

Click to View Pricing, Inventory, Delivery & Lifecycle Information:

[Amphenol:](#)

[112425](#)