

# VM Desktop

## USB multifunction controllers

Distinctive features and specifications

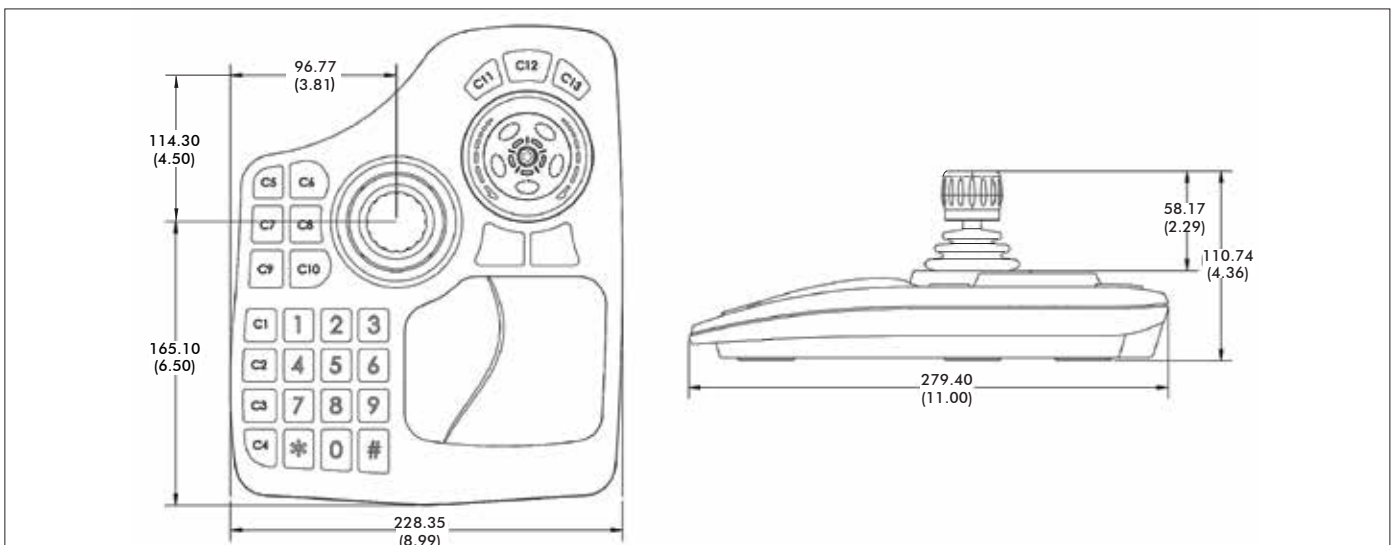


- ❑ 3 axis joystick for PTZ control
- ❑ 27 programmable pushbuttons
- ❑ USB 1.1 HID compliant “game controller”
- ❑ Jog/shuttle dial
- ❑ LED backlit and tactile pushbutton options
- ❑ Functions determined by controlled application

- Joystick performance:
    - Hall effect three axis joystick
    - X/Y/Z for positioning control
  - Joystick travel:
    - 36° for X and Y axis
    - 60° for Z axis
  - Centering: Single spring, omni-directional
  - Joystick shaft: Stainless steel
  - Joystick boot: Neoprene
  - Joystick handle: Glass filled nylon
  - Jog/shuttle performance:
    - Spring loaded shuttle ring travel  $\pm 40^\circ$
    - Smooth action knob rotates 360°
  - Pushbutton performance:
    - 27 programmable pushbuttons rated for 500,000 life cycles
    - Lighting: high efficiency LED
    - Pushbutton material: silicon
    - “Mouse” pushbuttons are rated for 10 million life cycles
  - Desktop housing: High impact ABS
  - Power:
    - Via USB interface (5V DC)
    - Consumption 500mA max
- Supplied by USB ports, per USB specification

- Operating conditions:
  - -25°C to +85°C (-13°F to +185°F)
- Approvals:
  - EN 55024:1998, EN 55022,
  - FCC Part 15 Subpart B Class B
  - RoHs compliant
- Interface:
  - USB port
  - Uses standard DirectX HID drivers
  - Connects directly to workstation PC
- Connectors:
  - USB Type A Male
  - Cable Length: 2m (6ft. 6.8in)
- Systems support integration: Windows 7, Vista, XP, 2000, Windows 8, OSX, Linux
- Supported protocols:
  - USB HID 1.1 game controller
  - Direct X (Gaming Control)
  - Joystick: Three HID axis
  - Pushbuttons: 12 HID buttons
  - Uses standard DirectX HID drivers
  - Connects directly to workstation PC
- Environmental: For indoor use only
- Boxed weight: 1.33kg (47oz)

NOTE: All values are nominal.



- NOTES:
- Dimensions are in mm/(inch).
  - Product is supplied individually boxed with instruction booklet.
  - To order the VM Desktop with LED backlighting, refer to part number 100-590.
  - To order the VM Desktop with tactile switches, refer to part number 100-600.

Note: The company reserves the right to change specifications without notice.

# Mouser Electronics

Authorized Distributor

Click to View Pricing, Inventory, Delivery & Lifecycle Information:

[Apem:](#)

[100590](#) [100600](#)