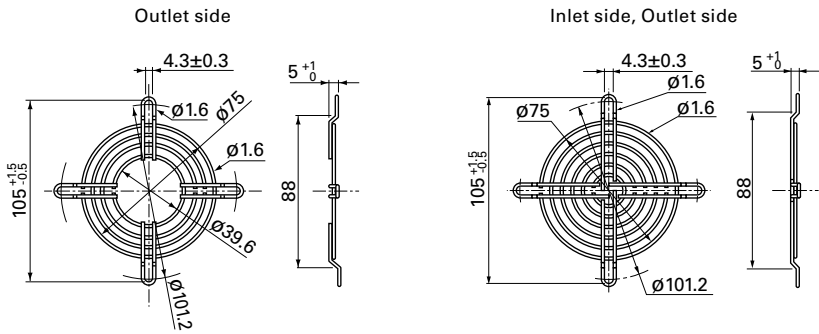


80 mm sq. type

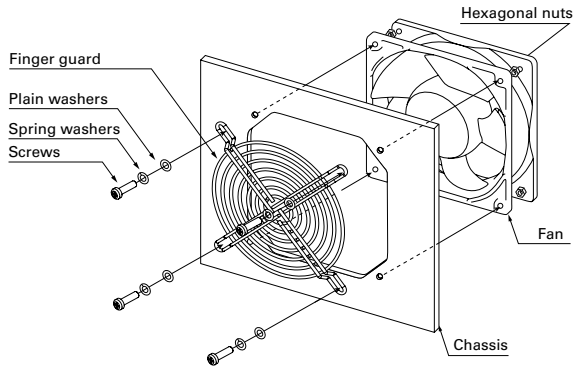
Model no.	Surface treatment	Mass (g)
109-049C	Nickel-chrome plating (silver)	17

Model no.	Surface treatment	Mass (g)
109-049E	Nickel-chrome plating (silver)	21
109-049H	Cation electropainting (black)	



Mounting example

Axial fan



Mouser Electronics

Authorized Distributor

Click to View Pricing, Inventory, Delivery & Lifecycle Information:

Sanyo Denki:

[109-049C](#) [109-049E](#) [109-049H](#)