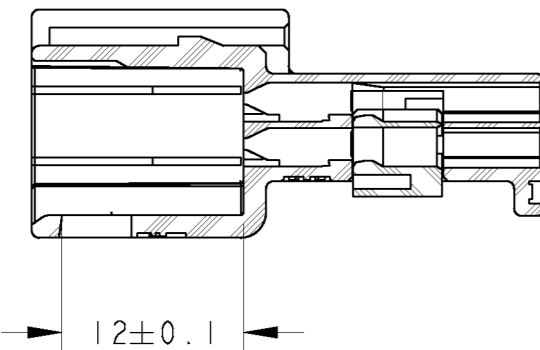
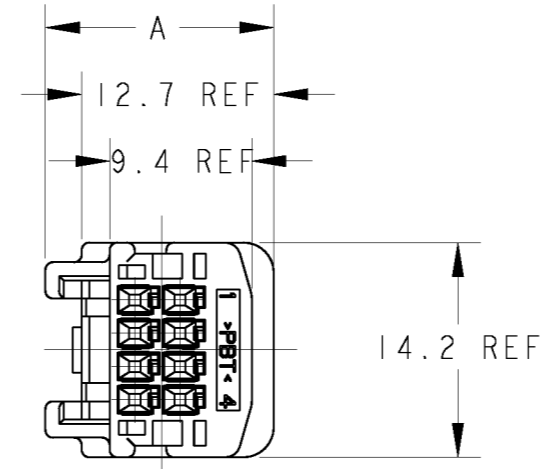
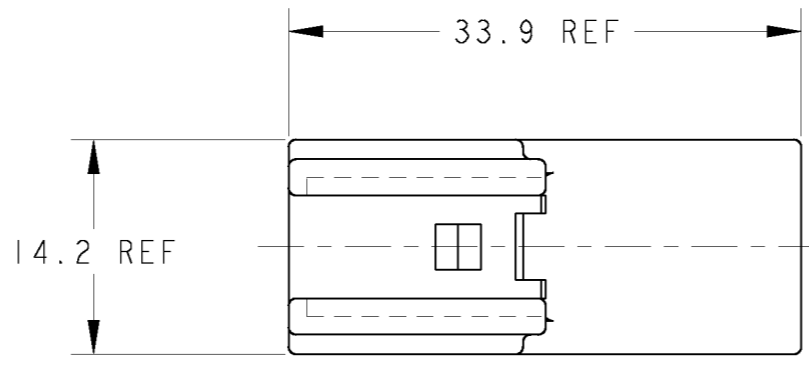
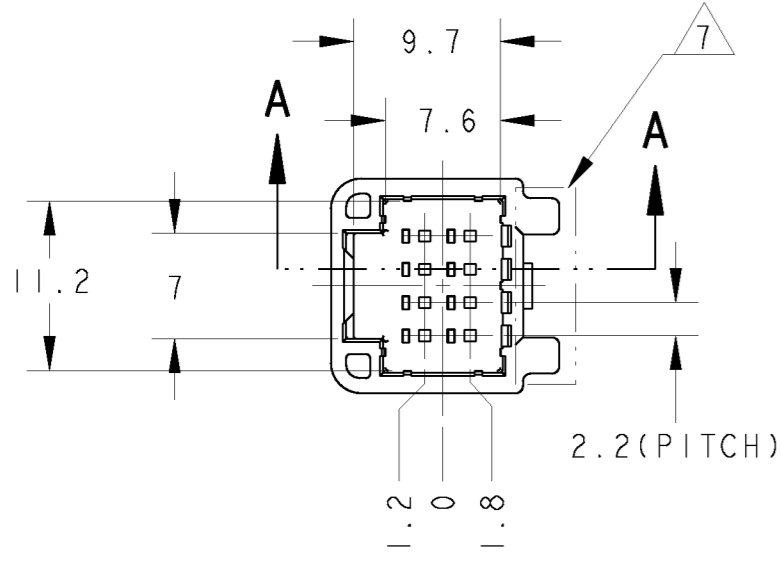
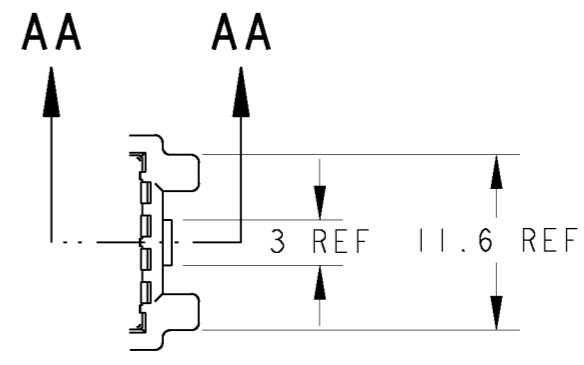
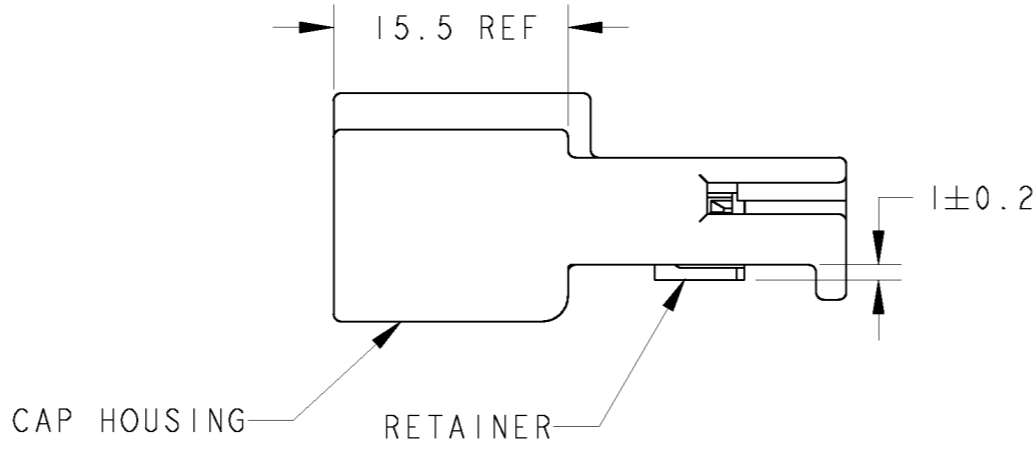


THIS DRAWING IS UNPUBLISHED. RELEASED FOR PUBLICATION 2002.2.6
 (C) COPYRIGHT 2002.2.6 ALL RIGHTS RESERVED.

LOC		DIST		REVISIONS			
P	LTR	DESCRIPTION		DATE	DWN	APVD	
	B2	REVISED PER ECO-11-005140		09APR2011	RK	HMR	

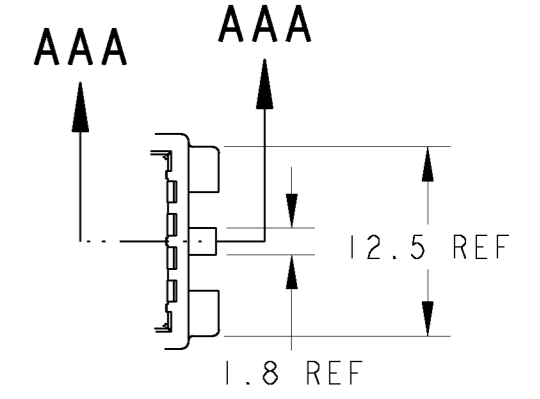


A-A



AA-AA

PANEL LOCK TYPE A



AAA-AAA

PANEL LOCK TYPE B

DIMENSION B 寸法B	14.7 REF	16 REF
DIMENSION A 寸法A	15.1 REF	16.4 REF
PANEL LOCK パネル・ロック形状	TYPE A	TYPE B

1. RETAINER SHOULD BE SET TO THE CAP HOUSING WHEN SHIPPED TO THE CUSTOMER
 2. RETAINER MUST BE OUT SIDE OF CAP HOUSING AT PRE-ASSEMBLY
 3. INSTRUCTION SHEET NO.411-78011.
 4. PART NUMBER OF PLUG HOUSING TO BE MATED; SEE TABLE-1
 5. APPLICABLE TERMINAL; TABLE-2
 6. RECOMMENDED MATING PANEL LOCK; SEE SHEET 2 OF 2
- △. 2 PANEL LOCK FORM.

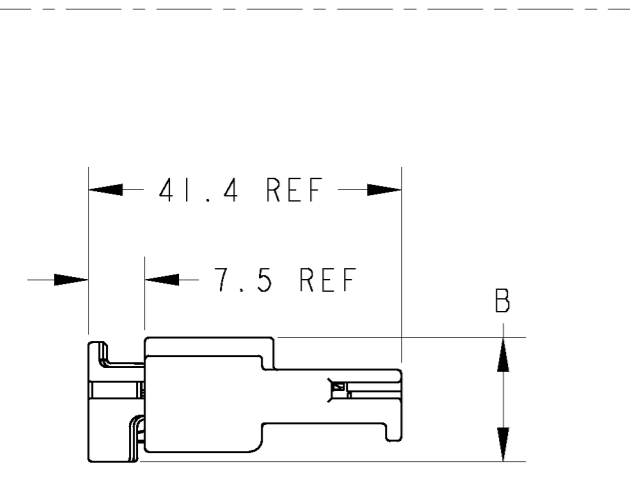
1. キャップハウジングにリテーナを仮係止して出荷される。
 2. 仮係止時、リテーナがハウジングの外側に出ている。
 3. 取扱説明書NO.411-78011
 4. 嵌合型番; TABLE-1参照
 5. 適用端子; TABLE-2参照
 6. パネルロック推奨嵌合相手形状; SHEET 2 OF 2参照
- △. パネルロック形状は、2種類ある。

TABLE - 1

POS 極数	TERMINATION TYPE 結線方式	PLUG ASSEMBLY PART NO. 嵌合相手型番
8	CRINP	1376352

TABLE - 2

TYPE 端子種類	FINISH	APPLICABLE TERMINAL PN	APPLICABLE WIRE RANGE 適用電線
SIGNAL 025	TIN	1674742-1	AVSS/CAVS/CAVUS/AVSSH-f 0.3~0.5mm ²



ENGAGEMENT VIEW
嵌合状態
SCALE 1:1

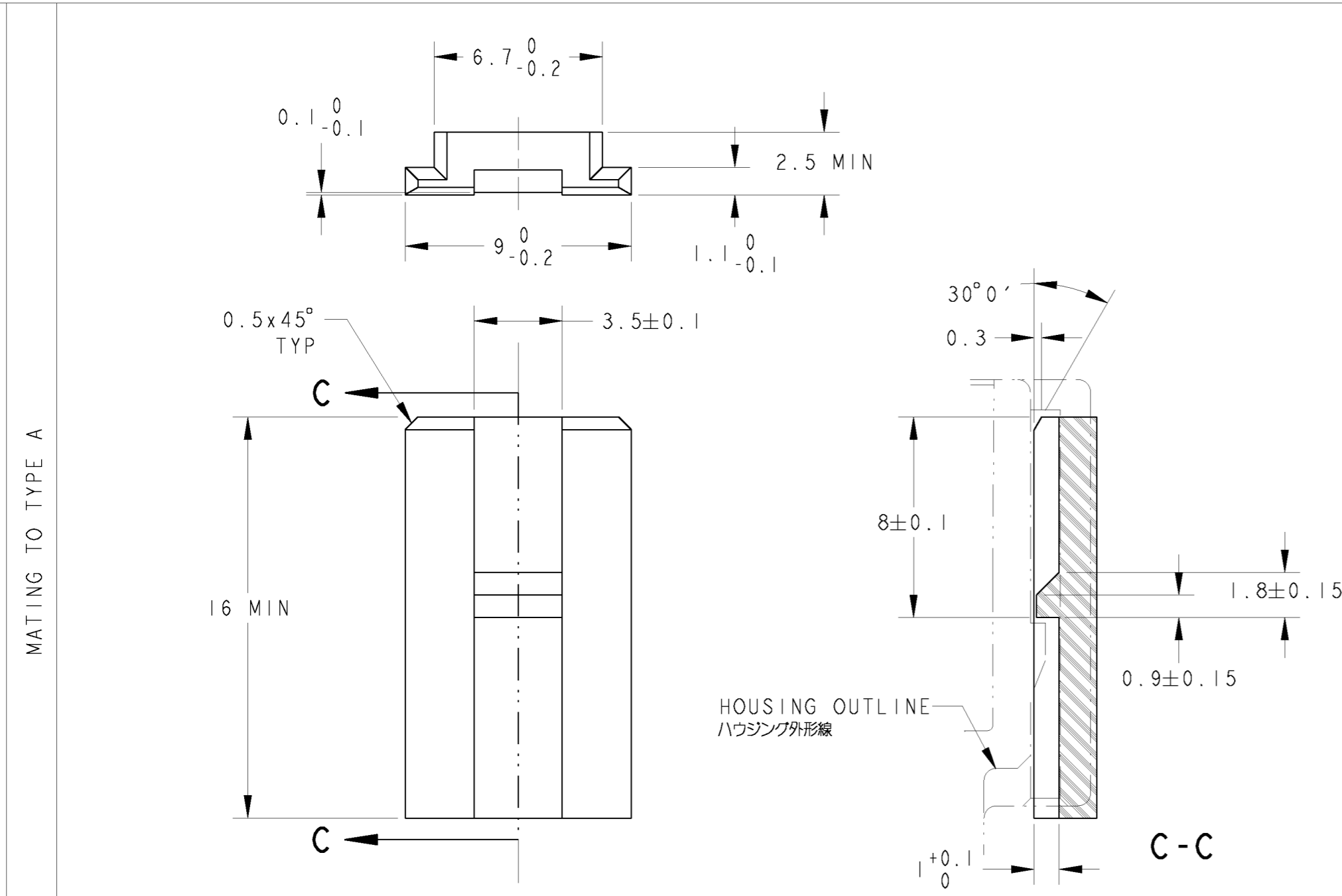
PLASTIC BAG ビニール袋	PAPER BOX ダンボール箱	TYPE B	NATURAL	1565804-2
PLASTIC BAG ビニール袋	PAPER BOX ダンボール箱	TYPE A	NATURAL	1565804-1
INNER 内装	OUTER 外装	PANEL LOCK パネル・ロック形状	COLOR 色	PN 型番
PACKING STYLE 梱包形態				

THIS DRAWING IS A CONTROLLED DOCUMENT.

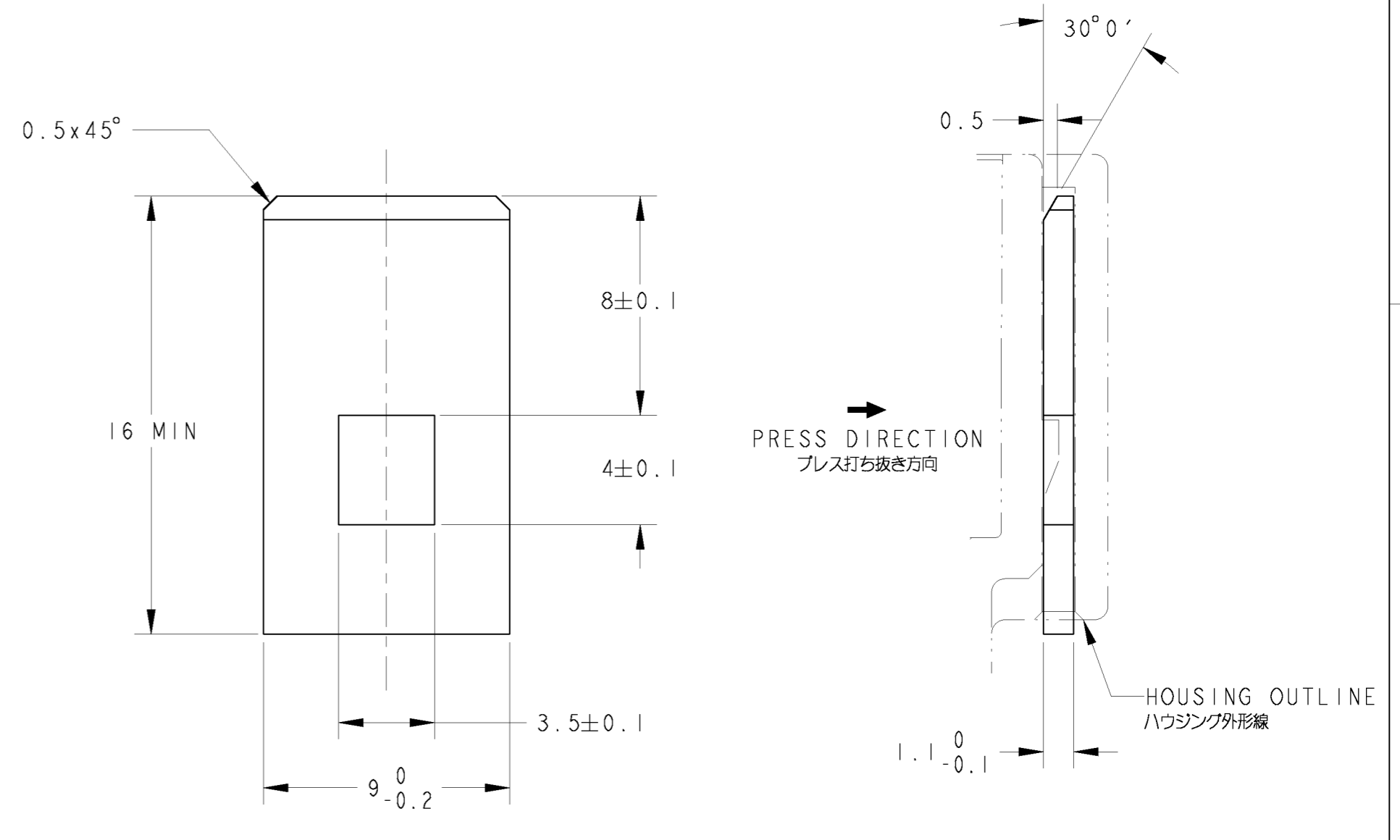
DIMENSIONS: mm	TOLERANCES UNLESS OTHERWISE SPECIFIED: ±0.3	DWN Y. MITO 6FEB02	TE Connectivity
	0-PLC ±	CHK T. KOHNO 6FEB02	
	1-PLC ±0.5	APVD N. SAI 6FEB02	
	2-PLC ±0.13	PRODUCT SPEC 108-5787	
MATERIAL PBT	SEE TABLE	APPLICATION SPEC 114-5340	NAME 025 G W-W CONNECTOR 8POSITION CAP HOUSING ASSEMBLY
		ANGLES ±3°00'	SIZE A200779
		FINISH	DRAWING NO C-1565804
		WEIGHT 3.1 g	RESTRICTED TO B2
		CUSTOMER DRAWING	SCALE 2:1 SHEET 1 OF 2

THIS DRAWING IS UNPUBLISHED. RELEASED FOR PUBLICATION
 © COPYRIGHT - ALL RIGHTS RESERVED.

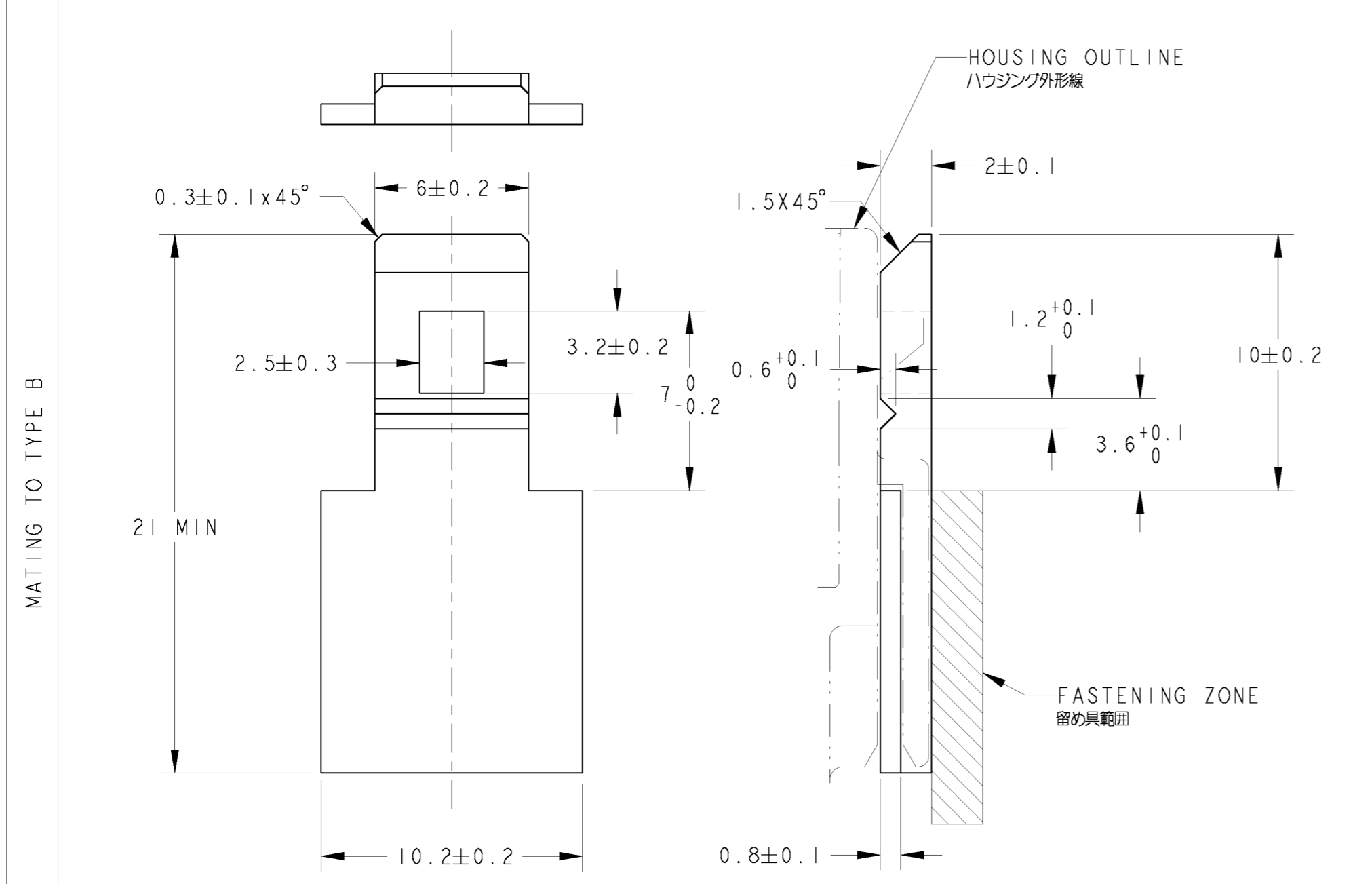
LOC	DIST	REVISIONS			
P	LTR	DESCRIPTION	DATE	DWN	APVD
J		SEE SHEET 1			



MATERIAL: PLASTIC 材料: 樹脂



MATERIAL: METAL 材料: 金属



MATERIAL: PLASTIC 材料: 樹脂

THIS DRAWING IS A CONTROLLED DOCUMENT.		DWN N. YASUDA 23APR02	 TE Connectivity	NAME 025 G W-W CONNECTOR 8 POSITION CAP HOUSING ASSEMBLY	
DIMENSIONS: mm		CHK T. KOHNO 23APR02		PRODUCT SPEC SEE 1 OF 2	
TOLERANCES UNLESS OTHERWISE SPECIFIED: ±0.15		APVD N. SAI 23APR02		APPLICATION SPEC SEE 1 OF 2	
0-PLC ± 1-PLC ±0.5 2-PLC ±0.13 3-PLC ±0.013 4-PLC ±0.0001 ANGLES ±3°00' FINISH		WEIGHT SEE 1 OF 2		SIZE A200779	DRAWING NO. C-1565804
SEE NOTE		CUSTOMER DRAWING		SCALE 2:1	SHEET 2 OF 2 REV B2

Mouser Electronics

Authorized Distributor

Click to View Pricing, Inventory, Delivery & Lifecycle Information:

[TE Connectivity:](#)

[1565804-2](#)