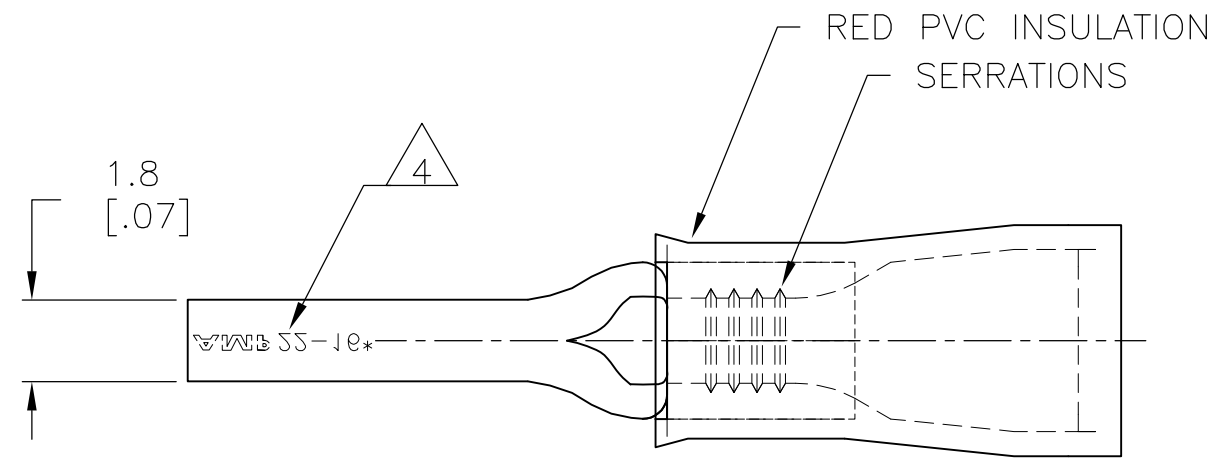


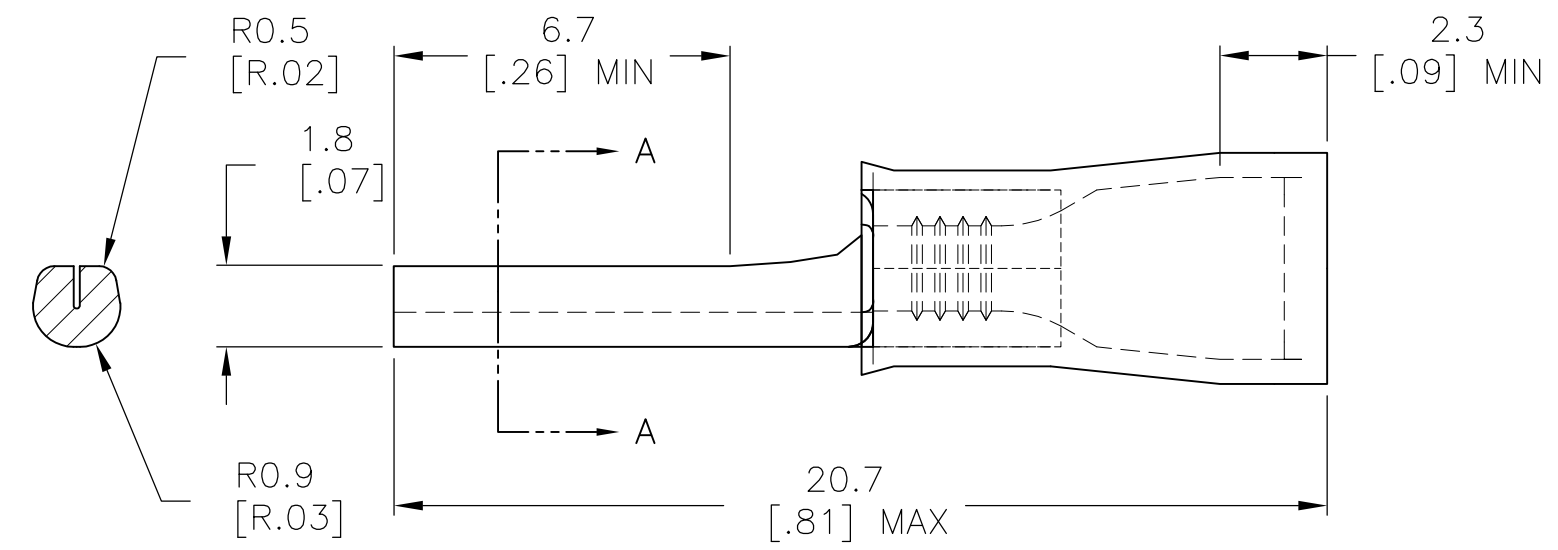
THIS DRAWING IS UNPUBLISHED. RELEASED FOR PUBLICATION  
 © COPYRIGHT - By - ALL RIGHTS RESERVED.

LOC	DIST	REVISIONS			
P	LTR	DESCRIPTION	DATE	DWN	APVD
G	14	D1	REVISED PER ECO-14-003208	19MAR2014	NK DR



<b>AMP</b> WIRE RANGE	<b>RA</b> FILE E13288
22-16 AWG STRANDED	22-16 AWG STRANDED

- 1 WIRE INSULATION DIA.  
3.56[.140] MAX DIA.
- 2 MATERIAL: BODY - CU PER ASTM B152  
INSULATION - PVC
- 3 FINISH: BODY - TIN PL ASTM B545  
INSULATION - COLOR - RED
- 4 STAMP AMP 22-16\* APPROX AS SHOWN



SECTION A-A

1000	LOOSE PIECE	165143
QTY	PACKAGE TYPE	PART NO

<b>CUSTOMER SERVICE SYSTEMS</b>	
FOR ADDITIONAL PRODUCT INFORMATION OR COPIES OF DRAWINGS AND TECHNICAL DOCUMENTS	PRODUCT INFORMATION CENTER 1-800-522-6752
FOR APPLICATION TOOLING INFORMATION	TOOLING ASSISTANCE CENTER 1-800-722-1111
FOR ORDER ENTRY	1-800-526-5142

MAX RECOMMENDED OPERATING TEMPERATURE: 105°C [221°F]
VOLTAGE RATING: -
CIRCULAR MIL AREA: 0.25-1.6mm <sup>2</sup> [493-3158] STRANDED

THIS DRAWING IS A CONTROLLED DOCUMENT.	
DIMENSIONS: mm [INCHES]	TOLERANCES UNLESS OTHERWISE SPECIFIED:
	0 PLC ± -
	1 PLC ± 0.38[.015]
	2 PLC ± 0.20[.007]
	3 PLC ± -
	4 PLC ± -
MATERIAL	FINISH

DWN	JR RUTH	16AUG10
CHK	T MICHIELUTTI	16AUG10
APVD	T MICHIELUTTI	16AUG10
PRODUCT SPEC	-	
APPLICATION SPEC	-	
WEIGHT	-	

<b>STE</b> TE Connectivity			
NAME TERMINAL, WIRE PIN, PLASTI-GRIP WIRE SIZE, 22-16 AWG			
SIZE	CAGE CODE	DRAWING NO	RESTRICTED TO
A3	00779	C-165143	-
CUSTOMER DRAWING		SCALE	SHEET
		6:1	1 OF 1
		REV	D1